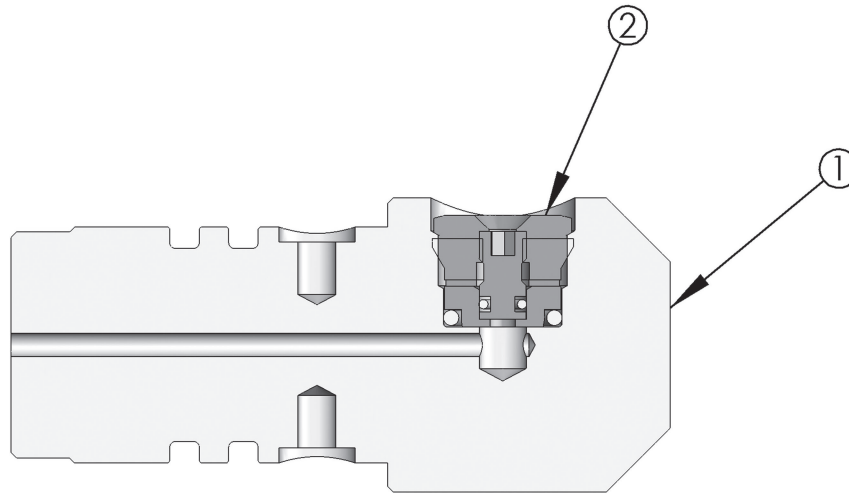


Description

Through Owen’s continuing effort to meet API RP-67 and improve client’s safety, the RTG bull plugs are combined with the Bleeder Valve from Owen’s Single Stage 1-1/2” Shorty Setting Tool to enable internal pressure to bleed off from a safe and reliable mechanism.

Benefits / Capabilities

- Compatible to fit with 1-9/16” - 2-1/2” RTG systems.
- Designed to bleed pressure in low order detonation situations.
- Enables RTG systems to meet API RP-67 specifications.



Item	Item	Description
1	RTG-1562-115BP	RTG Bull Plug 1.562", Manual Bleed Assy
	RTG-1687-115BP	RTG Bull Plug 1.687", Manual Bleed Assy
	RTG-2125-115BP	RTG Bull Plug 2.125", Manual Bleed Assy
	RTG-2375-115BP	RTG Bull Plug 2.375", Manual Bleed Assy
	RTG-2500-115BP	RTG Bull Plug 2.500", Manual Bleed Assy
2	SET-1687-025	Bleeder Valve Assembly
--	SET-1687-029	Bleeder Wrench
--	OOO-N569-111	O-ring, #111 Nitrile - see ref. section
--	OOO-V569-111	O-ring, #111 Viton - see ref. section
--	OOO-N569-006	O-ring, #006 Nitrile - see ref. section
--	OOO-V569-006	O-ring, #006 Viton - see ref. section

* Please see Owen Oil Tools “Single Stage 1-1/2” Shorty Setting Tool” for Bleeder Valve Assembly information.