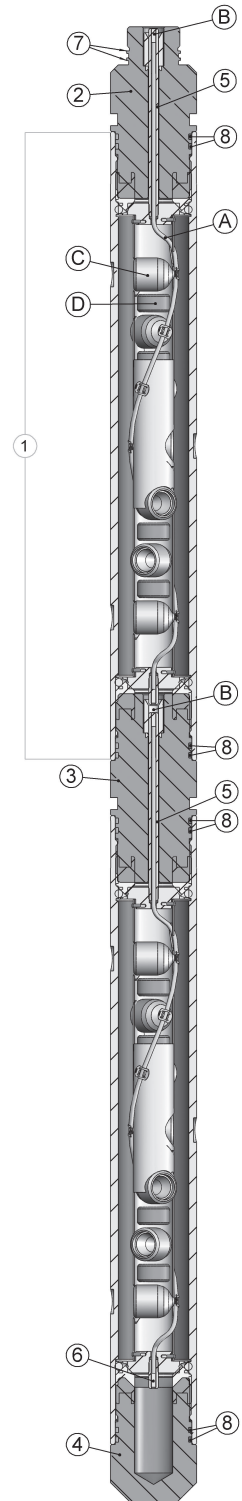
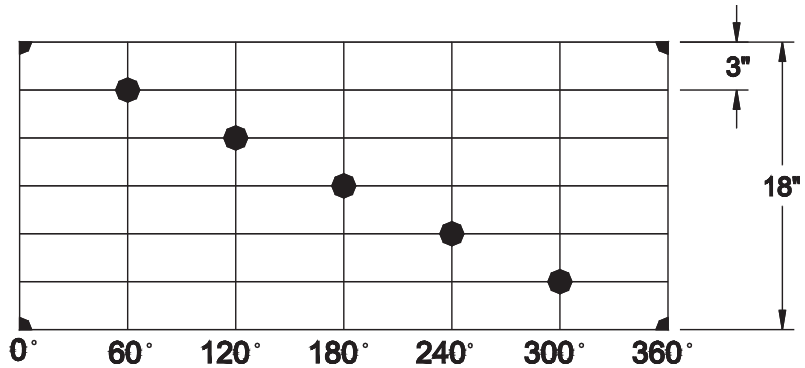
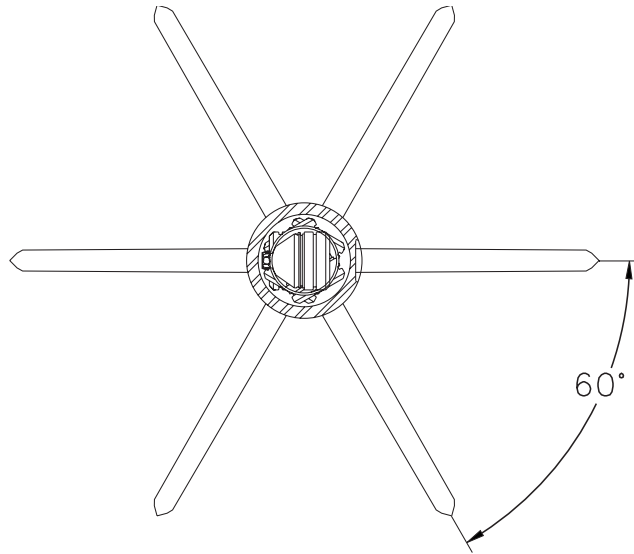
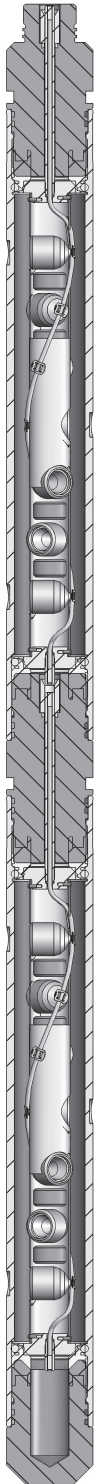




Item	Part No.	Description
1	S45-0403-A21A	Shipping Assembly, 4-1/2" x 21', 4 spf, 60° Spiral
	S45-0403-A15A	Shipping Assembly, 4-1/2" x 15', 4 spf, 60° Spiral
	S45-0403-A11A	Shipping Assembly, 4-1/2" x 11', 4 spf, 60° Spiral
	S45-0403-A07A	Shipping Assembly, 4-1/2" x 7', 4 spf, 60° Spiral
	S45-0403-A04A	Shipping Assembly, 4-1/2" x 4', 4 spf, 60° Spiral
2	TAG-4500-280L	Top Sub 4-1/2" Adapts to TCP or Wireline Systems
3	TAG-4500-281L	Tandem Sub 4-1/2"
4	TAG-4500-060	Bull Plug 4-1/2"
	TAG-4500-060S	Bull Plug 4-1/2" w/2-7/8" EUE pin on bottom
5	TCP-0100-275L	Booster Transfer Kit
	TCP-0100-275LT	Booster Transfer Kit - High Temp
6	DET-0010-001	Detonating Cord End Cover
7	OOO-N569-230	O-Ring, #230, 90 Duro Nitrile - see ref. section
	OOO-V569-230	O-Ring, #230, 90 Duro Viton - see ref. section
8	OOO-N569-342	O-Ring, #342, 90 Duro Nitrile - see ref. section
	OOO-V569-342	O-Ring, #342, 90 Duro Viton - see ref. section
9	TAG-4500-339	Support Ring, qty. (2 - 11'), (3 - 15'), (4 - 21')
A	A578017	Detonating Cord - XHV, 80 gr., RDX - see ref. section
	A571017	Detonating Cord - XHV, 80 gr., HMX - see ref. section
B	DET-3050-429	Bi-Directional Booster
C	KOD-4500-311	Charge, KODIAK 4-1/2", RDX
	KOD-4500-411	Charge, KODIAK 4-1/2", HMX
D	KOD-4500-400	KODIAK Disk 4-1/2", 400°F



**Note: 4 spf System qualified in Fluid Only.**



Specifications		
Pressure Rating	117.2 MPa	17,000 psi
Temperature	UP TO 204°C	UP TO 400°F
Tensile Strength	167,800 kg	370,000 lbs
Carrier Thread	3-15/16" - 6 ACME	
Tandem Shot Spacing	0.37 m	1.22 ft
Gun Weight Loaded	33.9 kg/m	23 lb/ft
Gun Swell	121.9 mm	4.8 in.