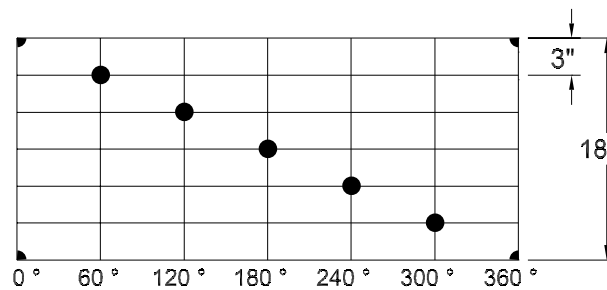
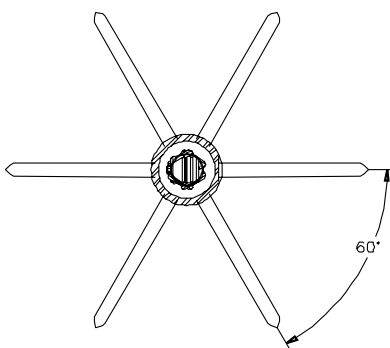
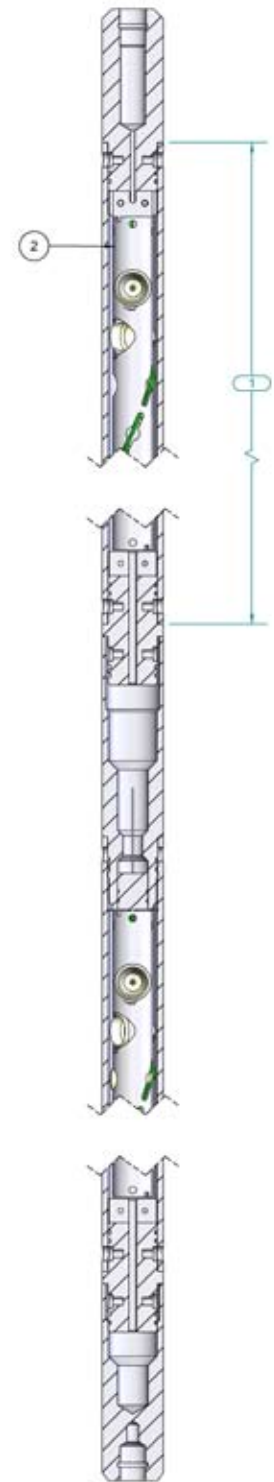




| ITEM | PART NO. | DESCRIPTION |
|------|-----------------|---|
| 1 | R156-0438-A04 | Bolted Shipping Assembly, 1.563 OD X 4 FT, 4 SPF, 60°, 13 Shots |
| | R156-0438-A07 | Bolted Shipping Assembly, 1.563 OD X 7 FT, 4 SPF, 60°, 25 Shots |
| | R156-0438-A11 | Bolted Shipping Assembly, 1.563 OD X 11 FT, 4 SPF, 60°, 41 Shots |
| | R156-0438-A15 | Bolted Shipping Assembly, 1.563 OD X 15 FT, 4 SPF, 60°, 57 Shots |
| | R156-0438-A21 | Bolted Shipping Assembly, 1.563 OD X 21 FT, 4 SPF, 60°, 81 Shots |
| 2 | T106-0438-A04 | Tube Strip, 1.063 OD X 4 FT, 4 SPF, 60° |
| | T106-0438-A07 | Tube Strip, 1.063 OD X 7 FT, 4 SPF, 60° |
| | T106-0438-A11 | Tube Strip, 1.063 OD X 11 FT, 4 SPF, 60° |
| | T106-0438-A15 | Tube Strip, 1.063 OD X 15 FT, 4 SPF, 60° |
| | T106-0438-A21 | Tube Strip, 1.063 OD X 21 FT, 4 SPF, 60° |
| 3 | B156-0400-A04 | Bolted Carrier, 1.563 OD X 4 FT, 4 SPF, 60° |
| | B156-0400-A07 | Bolted Carrier, 1.563 OD X 7 FT, 4 SPF, 60° |
| | B156-0400-A11 | Bolted Carrier, 1.563 OD X 11 FT, 4 SPF, 60° |
| | B156-0400-A15 | Bolted Carrier, 1.563 OD X 15 FT, 4 SPF, 60° |
| | B156-0400-A21 | Bolted Carrier, 1.563 OD X 21 FT, 4 SPF, 60° |
| C | RTG-1687-401NT | Charge, RTG 1-11/16" NT, HMX - uses Ribbon (Preferred) or 40 gr. Round Cord |
| | SDP-1687-401NTX | Charge, RTG 1-11/16" NTX, HMX - uses Ribbon (Preferred) or 40 gr. Round Cord |
| | SDP-1687-402NT3 | Charge, RTG 1-11/16" NT3, HERO™™, SDP, HMX - uses Ribbon (Preferred) or 40 gr. Round Cord |
| | RTG-1687-301 | Charge, RTG 1-11/16" DP, RDX - uses Ribbon (Preferred) or 40 gr. Round Cord |
| | RTG-1687-301BH | Charge, RTG 1-11/16" BH, RDX - uses Ribbon (Preferred) or 40 gr. Round Cord |





| SPECIFICATIONS | | |
|----------------------------------|-------------|-------------|
| Pressure Rating | 155.1 Mpa | 22,500 psi |
| Temperature | UP TO 288°C | UP TO 550°F |
| Max O.D. before Firing | 39.67 mm | 1.562" |
| Max O.D. after Firing (in fluid) | 41.4 mm | 1.63" |
| Max O.D. after Firing (in gas) | 42.85 mm | 1.687" |
| Gun Weight Loaded | 4.1 kg/m | 2.75 lb/ft |

| ITEM | PART NO. | DESCRIPTION |
|------|--------------|---|
| 4 | RTG-1687-112 | Shooting Adapter, 1-11/16" O.D. |
| 5 | RTG-1687-108 | Tandem Sub, 1-11/16" Without Dart Seal |
| | RTG-1687-109 | Tandem Sub, 1-11/16" With Dart Seal |
| 6 | RTG-1687-115 | Bull Plug, 1-11/16" |
| 7 | RTG-1687-116 | Blast Sleeve, 1-11/16" |
| 8 | PUR-0500-032 | Socket Hd. Cap Screw, 1/4-20 x 1/4" |
| | PUR-0500-033 | Socket Hd. Cap Screw, 1/4-20 x 3/8" |
| 9 | OOO-N569-214 | O-Ring #214 Nitrile |
| | OOO-V569-214 | O-Ring #214 Viton |
| A | DET-0325-011 | Det Cord - Ribbon, 40 gr. RDX, Nylon LS |
| | DET-0412-006 | Det Cord - Ribbon, 40 gr. HMX, Nylon LS |
| | DET-0325-013 | Det Cord - Round, 40 gr. RDX, Nylon LS |
| | DET-0412-014 | Det Cord - Round, 40 gr. HMX, Nylon LS |

