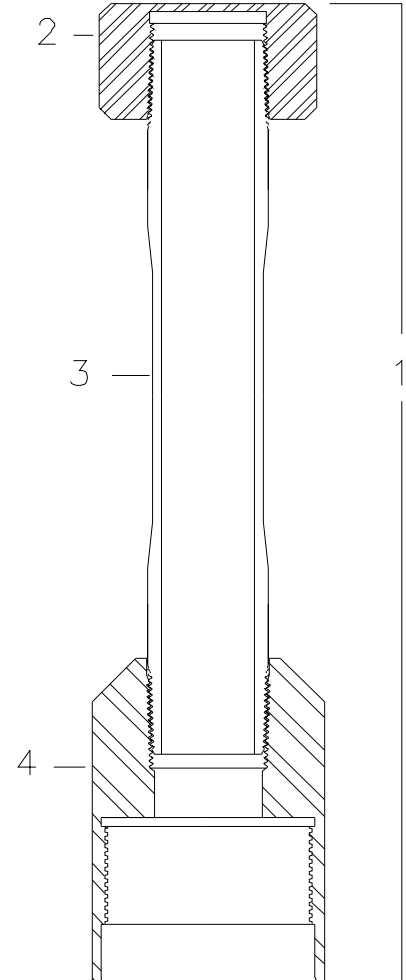


ITEM	PART NO.	DESCRIPTION
1	TC-155-2123-100	2-1/8" Lift Sub Assembly - Tandem
	TC-155-2823-000	2-3/4" & 2-7/8" Lift Sub Assembly - Top Sub
	TC-155-3123-100	3-1/8" thru 7" Lift Sub Assembly - Top Sub
	TC-155-2723-100	2-3/4" Lift Sub Assembly - Tandem
	TC-155-2823-100	2-7/8" Lift Sub Assembly - Tandem
	TC-155-3123-100	3-1/8" Lift Sub Assembly - Tandem
	TC-155-3323-100	3-3/8" Lift Sub Assembly - Tandem
	TC-155-4023-100	4" Lift Sub Assembly - Tandem
	TC-155-4523-100	4-1/2" Lift Sub Assembly - Tandem
	TC-155-4523-100	4-5/8"HP Lift Sub Assembly - Tandem
	TC-155-4623-100	4-5/8"LP Lift Sub Assembly - Tandem
	TC-155-5123-100	5-1/8" Lift Sub Assembly - Tandem
	TC-155-6023-100	6" Lift Sub Assembly - Tandem
	TC-155-7023-100	7" Lift Sub Assembly - Tandem
2	TC-155-0003-000	Lift Cap (for 2-3/8" tubing)
3	CC-101-2347-002	2' Pup Joint - 2-3/8" EUE (4.7 lb/ft N-80)
4	TC-155-0002-213	2-1/8" Coupling - Tandem Lift Sub
	TC-155-0001-275	2-3/4" & 2-7/8" Coupling - Top Lift Sub
	TC-155-0002-275	2-3/4" Coupling - Tandem Lift Sub
	TC-155-0002-288	2-7/8" Coupling - Tandem Lift Sub
	TC-155-0002-313	3-1/8" Coupling - Tandem Lift Sub / Top Gun
	TC-155-0002-338	3-3/8" Coupling - Tandem Lift Sub
	TC-155-0002-400	4" Coupling - Tandem Lift Sub
	TC-155-0002-450	4-1/2" Coupling - Tandem Lift Sub
	TC-155-0002-450	4-5/8" HP Coupling - Tandem Lift Sub
	TC-155-0002-463	4-5/8" LP Coupling - Tandem Lift Sub
	TC-155-0002-513	5-1/8" Coupling - Tandem Lift Sub
	TC-155-0002-600	6" Coupling - Tandem Lift Sub
	TC-155-0002-700	7" Coupling - Tandem Lift Sub



Note: The lifting capacity is limited by the tensile strength of the 2 3/8 EUE pup joint.

Lifting Capacity	
lbf	DAN
104,340	46 413