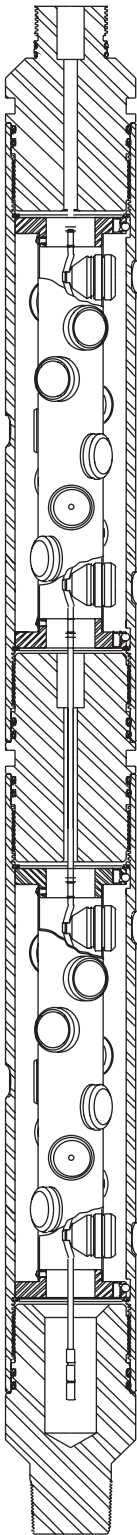


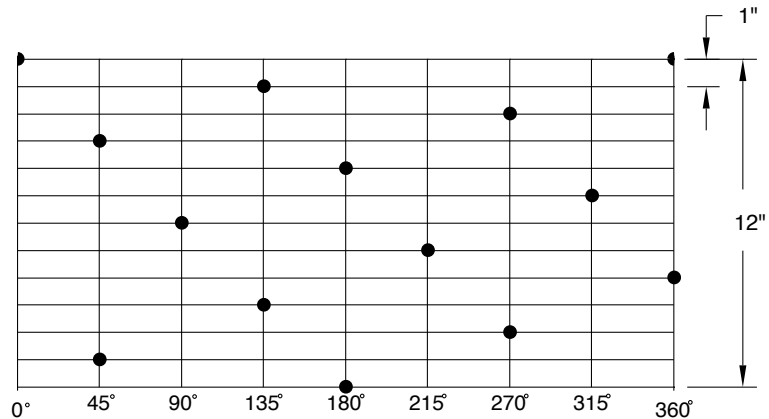
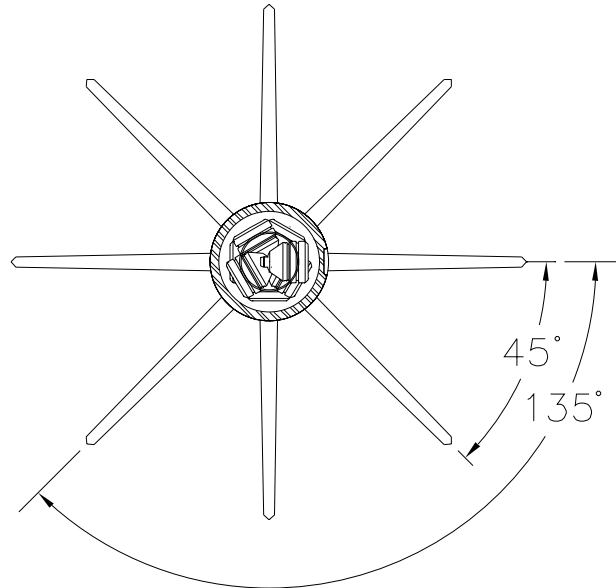
ITEM	PART NO.	DESCRIPTION
1	S33-1202-C21A	Shipping Assembly, 3-3/8" x 21', 12 spf, 135° Spiral
	S33-1202-C15A	Shipping Assembly, 3-3/8" x 15', 12 spf, 135° Spiral
	S33-1202-C11A	Shipping Assembly, 3-3/8" x 11', 12 spf, 135° Spiral
	S33-1202-C07A	Shipping Assembly, 3-3/8" x 7', 12 spf, 135° Spiral
	S33-1202-C04A	Shipping Assembly, 3-3/8" x 4', 12 spf, 135° Spiral
2	T20-1202-C21	Tube Strip, 21', 12 spf, 135° Spiral
	T20-1202-C15	Tube Strip, 15', 12 spf, 135° Spiral
	T20-1202-C11	Tube Strip, 11', 12 spf, 135° Spiral
	T20-1202-C07	Tube Strip, 7', 12 spf, 135° Spiral
	T20-1202-C04	Tube Strip, 4', 12 spf, 135° Spiral
3	C33-1260-C21	Carrier 3-3/8" x 21', 12 spf, 135° Spiral
	C33-1260-C15	Carrier 3-3/8" x 15', 12 spf, 135° Spiral
	C33-1260-C11	Carrier 3-3/8" x 11', 12 spf, 135° Spiral
	C33-1260-C07	Carrier 3-3/8" x 7', 12 spf, 135° Spiral
	C33-1260-C04	Carrier 3-3/8" x 4', 12 spf, 135° Spiral
4	TAG-3375-274U	End Plate Universal (1)
	TAG-3375-274UP	End Plate Universal w/pin (1)
5	TAG-3375-076	Carrier Snap Ring (N-5000-262) (2)
6	TAG-3375-280	Top Sub 3-3/8" Adapts to TCP or Wireline Systems
7	TAG-3375-281	Tandem Sub 3-3/8"
8	TAG-3375-078	Bull Plug 3-3/8"
	TAG-3375-078S	Bull Plug 3-3/8" w/2-3/8" EUE pin on bottom
--	TCP-0100-275 TAG-0100-040	Booster Transfer Kit, Universal - 3-1/3, 3-3/8 & 4" TAG Insert (Included w/Transfer Kit) see page con-1.0
10	DET-0010-001	Detonating Cord End Cover
11	OOO-N569-230	O-Ring, #230, 90 Duro Nitrile - see ref. section
	OOO-V569-230	O-Ring, #230, 90 Duro Viton - see ref. section
12	OOO-N569-231	O-Ring, #231, 90 Duro Nitrile - see ref. section
	OOO-V569-231	O-Ring, #231, 90 Duro Viton - see ref. section
A	A570010	Detonating Cord - XHV, 80 gr., RDX - see ref. section
	A572010	Detonating Cord - XHV, 80 gr., HMX - see ref. section
--	DET-3050-429	Bi-Directional Booster
C	HSC-3125-410A	Charge, HMX, BH
	HSC-3125-310A	Charge, RDX, BH
	HSC-3125-310KF	Charge, RDX, BH
	HSC-3125-310ZF	Charge, RDX, BH
	HSC-3125-310AF	Charge, RDX, BH
--	SDP-3125-312NT	Charge, RDX, SDP
	SDP-3125-412NT	Charge, HMX, SDP
--	TAG-3125-158	Blank Charge Case (non-explosive)

***This product is protected by one or more of the following patents: 5,785,130 & 5,797,464***



SPECIFICATIONS		
PRESSURE RATING (STANDARD)	144.8 Mpa	21,000 psi
PRESSURE RATING (HIGH PRESSURE)	193.0 Mpa	28,000 psi
TEMPERATURE	UP TO 260°C	UP TO 500°F
TENSILE STRENGTH	89,000 kg	200,000 lbf
CARRIER THREAD	2-13/16" - 6 ACME	
GUN WEIGHT LOADED	22.0 kg/m	15.0 lb/ft
TORSIONAL YIELD	8 000 N•m	5,900 lb-ft

*This product is protected by one or more of the following patents:  
5,785,130 & 5,797,464*



**Note:** Guns are available in standard lengths from 2 through 21 ft.

Gun lengths in increments of 0.5 ft are available by special order only.

Charges and ancillary components for higher temperature applications are available by Special Order.