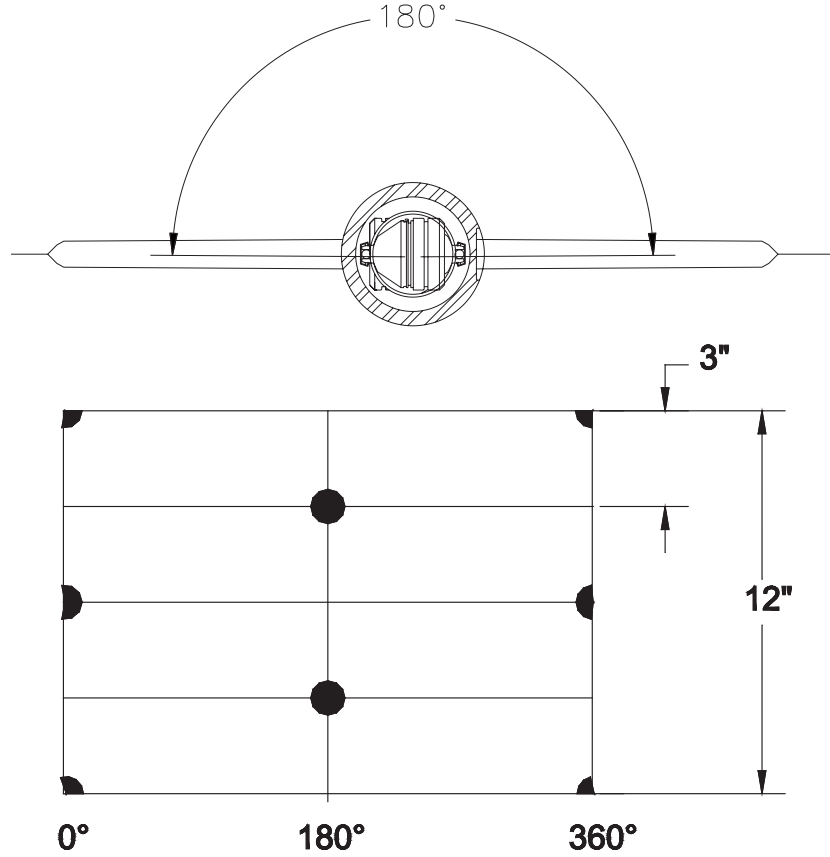
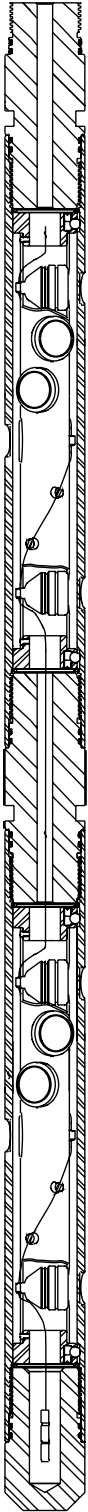


ITEM	PART NO.	DESCRIPTION
1	S33-0501-R21A	Shipping Assembly, 3-3/8" x 21', 5 spf, 180° Spiral
	S33-0501-R15A	Shipping Assembly, 3-3/8" x 15', 5 spf, 180° Spiral
	S33-0501-R11A	Shipping Assembly, 3-3/8" x 11', 5 spf, 180° Spiral
	S33-0501-R07A	Shipping Assembly, 3-3/8" x 7', 5 spf, 180° Spiral
	S33-0501-R04A	Shipping Assembly, 3-3/8" x 4', 5 spf, 180° Spiral
2	T18-0501-R21A	Tube Strip, 21', 5 spf, 180° Spiral
	T18-0501-R15A	Tube Strip, 15', 5 spf, 180° Spiral
	T18-0501-R11A	Tube Strip, 11', 5 spf, 180° Spiral
	T18-0501-R07A	Tube Strip, 7', 5 spf, 180° Spiral
	T18-0501-R04A	Tube Strip, 4', 5 spf, 180° Spiral
3	C33-0572-R21A	Carrier 3-3/8" x 21', 5 spf, 180° Spiral
	C33-0572-R15A	Carrier 3-3/8" x 15', 5 spf, 180° Spiral
	C33-0572-R11A	Carrier 3-3/8" x 11', 5 spf, 180° Spiral
	C33-0572-R07A	Carrier 3-3/8" x 7', 5 spf, 180° Spiral
	C33-0572-R04A	Carrier 3-3/8" x 4', 5 spf, 180° Spiral
4	TAG-3375-135U	End Plate Universal (1)
	TAG-3375-135UP	End Plate Universal w/pin (1)
5	TAG-3375-076	Carrier Snap Ring (N-5000-250) (2)
6	TAG-3375-280	Top Sub 3-3/8" Adapts to TCP or Wireline Systems
7	TAG-3375-281	Tandem Sub 3-3/8"
8	TAG-3375-078	Bull Plug 3-3/8"
	TAG-3375-078S	Bull Plug 3-3/8" w/2-3/8" EUE pin on bottom
--	TCP-0100-275	Booster Transfer Kit, Universal - 3-3/8 & 4" TAG
	TAG-0100-040	Insert (Included w/ Transfer Kit) see page con-1.0
10	DET-0010-001	Detonating Cord End Cover
11	OOO-N569-230	O-Ring, #230, 90 Duro Nitrile - see ref. section
	OOO-V569-230	O-Ring, #230, 90 Duro Viton - see ref. section
12	OOO-N569-231	O-Ring, #231, 90 Duro Nitrile - see ref. section
	OOO-V569-231	O-Ring, #231, 90 Duro Viton - see ref. section
A	A570010	Detonating Cord, 80 gr., RDX, XHV- see ref. section
	A572010	Detonating Cord, 80 gr., HMX, XHV - see ref. section
--	DET-3050-429	Bi-Directional Booster
C	SDP-3125-411NT4	Charge, HMX, SDP - NT4 - SUPER HERO™
	SDP-3125-311NT4	Charge, RDX, SDP - NT4 - SUPER HERO™
	SDP-3375-311NT	Charge, RDX, SDP
	TAG-3375-311	Charge, RDX, DP/GH
	TAG-3375-311L	Charge, RDX, DP
	TAG-3375-311SL	Charge, RDX, DP
	HSC-3375-301	Charge, RDX, BH
--	TAG-4000-266	Blank Charge Case (non-explosive)

**Note: Charges and ancillary components for higher temperature applications are available by Special Order.**



SPECIFICATIONS		
Pressure Rating	137.9 Mpa	20,000 psi
Temperature	UP TO 260°C	UP TO 500°F
Tensile Strength	90.720 KG	200,000 lbf
Carrier Thread	2-13/16" - 6 ACME	
Gun Weight Loaded	22.0 kg/m	15.0 lb/ft