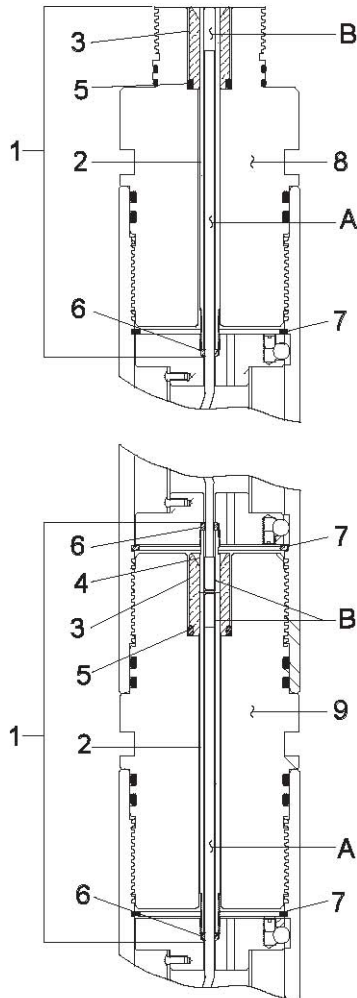


For use with Owen Oil Tools Style Guns and Tandem Subs

For 4-1/2" Thru 7"



Description

The Owen Oil Tools Booster Transfer Kit is designed to provide an accurate system to detonate guns connected in tandem. The bidirectional boosters efficiently transfer detonation and are fixed in position using plastic tubes threaded into each TCP end plate. Rubber grommets and crimp tubes support the detonating cord within the endplate.

Specifications

ITEM	PART NO.	DESCRIPTION
1	TCP-0100-275L	Booster Transfer Kit (4-1/2" O.D. and larger) For type "L" Tandems -Includes Items 2 thru 6
2	TCP-0100-271	Booster Support Tube (4" O.D. and smaller) For Top Sub or Tandem Sub (1)
	TCP-0100-271L	Booster Support Tube (4-1/2" O.D. and larger) For type "L" Tandems (1)
3	TCP-0100-263	Alignment Insert for Top Sub or Tandem Sub (1)
4	TCP-0100-247	Booster Retainer for Tandem Sub (1)
5	OOO-N569-211	O-Ring #211 (1)
6	TCP-0100-356 TC-001-0003-000	Crimp Tube Support (short) Rubber Grommet For End Plate
7	-	Carrier Snap Ring
8	-	Top Sub
9	-	Tandem Sub
A	DET-0325-017	Detonating Cord, 80 gr., RDX, LS -see ref. Sec.
	DET-0412-007	Detonating Cord, 80 gr., HMX, LS -see ref. Sec.
	DET-0412-015	Detonating Cord, 80 gr., HMX, XHV -see ref. Sec.
B	DET-3050-429	Bi-Directional Booster, HMX -see ref. Sec.
A	DET-0325-017	Detonating Cord, 80 gr., RDX, LS -see ref. Sec.
	DET-0412-007	Detonating Cord, 80 gr., HMX, LS -see ref. Sec.
	DET-0412-015	Detonating Cord, 80 gr., HMX, XHV - see ref. Sec.
B	DET-3050-429	Bi-Directional Booster, HMX -see ref. Sec.