

Description:

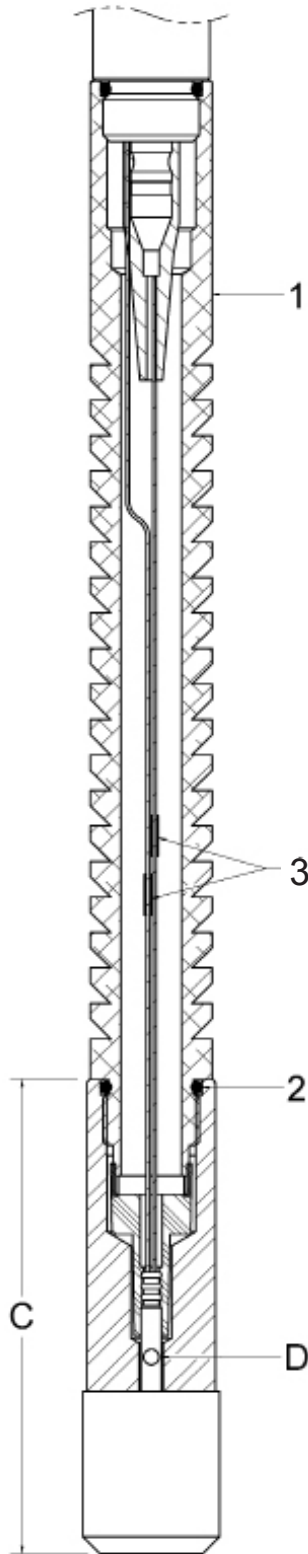
Owen's ACE™ Extended Range Tubing Cutter is designed for use in Pipe Recovery Operations. The cutter is undersized and can be conveyed through standard seating nipples and restrictions. The new ACE™ Extended Range is designed to cut the tubing efficiently, with minimum swell.

Benefits/Capabilities:

- Reduces fishing costs by utilizing the ACE™ cutting technology to minimize flare.
- Capable of cutting multiple weights and grades, including chrome
- Conforms to API RP-67 arming requirements
- "Air shippable" as Class 1.4D

Specifications:

RUNNING DIAMETER		1.875"
TEMPERATURE RATING (F)		400
PRESSURE RATING (PSI)		15,000
EXPLOSIVE WEIGHT (G)		14.75
RECOMMENDED APPLICATION		2.875" TUBING, 6.5# - 8.7#



ITEM	DESCRIPTION	PART NUMBER
1	ALUMINUM SHOCK SUB - OPEN BORE	CUT-0100-079
	STEEL EXTENSION ADAPTER	CUT-0100-087
2	O-RING FOR ADAPTER	OOO-V569-214
3	SPLICE BOOT	PUR-0210-001
C	1.875" TUBING CUTTER	CUT-1875-419
D	DETONATOR	DET-3050-009L
-	RP-67 ARMING SHIELD (NOT SHOWN)	CUT-1687-046

- Items 1 - 3 and detonator must be ordered separately from cutter assembly.
- Alternate arming assembly available, using JRC style extension adapter with button contacts, CUT-0100-078 and detonator with spring contacts, DET-3050-009E for 1.56" and larger cutters.
- Owen recommends running a minimum of two bowsprings centralizers with these tubing cutters. The recommended part number for this 1.687" Bowspring Centralizer is AES-AS60066-6.
- ACE™ Extended Range Cutter is not intended to replace standard cutter application

WARNING

Use of Owen equipment contrary to manufacturer's specifications may result in property damage, serious injury or fatality. If you are not trained in the handling and use of explosive devices, do not attempt to assemble any Owen Perforating Systems or Owen Firing Devices.

For Technical Assistance, Please Contact:

Owen Oil Tools
12001 County Road 1000
Godley, TX. 76044

Tel: (817) 551-0540 Fax: (817) 551-0795

<http://www.corelab.com/owen>