

DESCRIPTION

The Top Fire Sub with Port is a wireline tool used to detonate a perforating gun with the detonator located above the gun rather than below the gun. This tool is run between the Casing Collar Locator (CCL) and the Top Sub on any size gun.

This reliable, field proven tool uses a simple design with a threaded port plug. The threaded plug retains 2 O-rings for optimum reliability. The port plug has a square pocket to accept a standard ratchet drive.

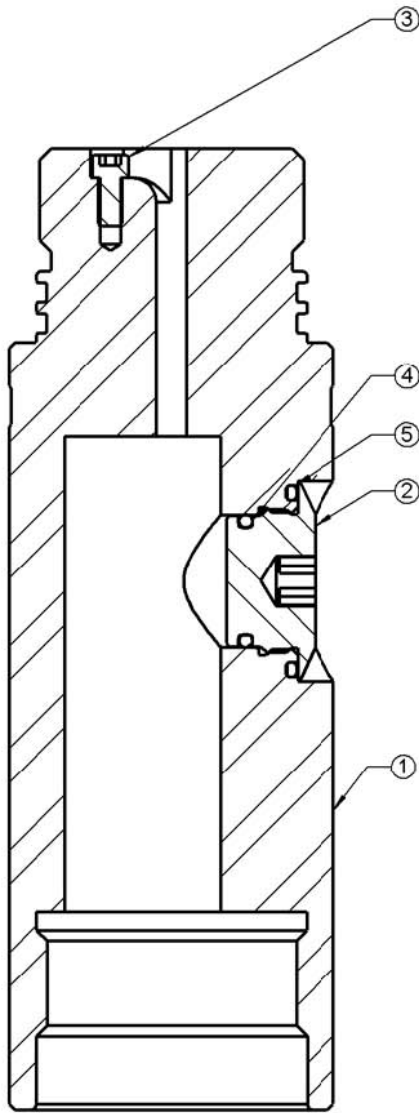
FEATURES AND BENEFITS

- 1.0 m from top shot on gun to CCL for ease of depth calculations
- Strong durable field proven design

SPECIFICATIONS

Maximum OD	3.375 in	85.7 mm
Overall Length	10.00 in	254 mm
Maximum Pressure	12,000 psi	82.7 MPa
Maximum Tensile	189,000 lb	84 070 daN
Max Temp ¹	250°F	121°C
Connection	GO 2.750 - 6 TPI ACME Pin Up/Box Down	
Product Number	WT-401-3375-000	

¹The maximum temperature can be increased to 450°F (230°C) by substituting the 70/90 durometer Nitrile O-ring with a 70/90 durometer Viton O-ring.



ITEM	QTY	PART NUMBER	DESCRIPTION
--	--	WT-401-3375-000	Top Fire Sub Side Port
1	1	WT-401-0000-000	Top Fire Body
2	1	WT-401-0007-000	Top Fire Sub Cap
3	1	PF-020-025F-050S	Cap Screw
4	1	OOO-N569-216	O-Ring
*5	1	OOO-N569-224	O-Ring
-	-	MAN-WT-401	Assembly Manual