

## Description

The E & B Select Fire Side Port Arming Sub and Switch Tandem Sub Assembly is used in wireline applications where a string of two or more perforating guns are detonated independently of each other.

When the perforating gun is ready to be detonated, a DC current is applied which detonates the first or lowest gun in the string. The detonation from this gun activates the E & B switch for the next gun immediately above it. Applying an opposite polarity DC current will detonate the second gun and activate the E & B switch for the third gun. Alternating the polarity of DC current applied allows independent detonation of each perforating gun in the string.

## Features and Benefits

- Allows independent detonation of multiple perforating guns in a multi-gun string.
- Side port provides access to connect detonators and select fire switches.
- Increased internal space for detonators and wiring.
- Uses the same threads as standard tandem subs allowing for easy insertion into multi-gun strings.
- Available in 73mm (2-7/8"), 79mm (3-1/8"), 86mm (3-3/8"), 101mm (4") and 127mm (5") sizes

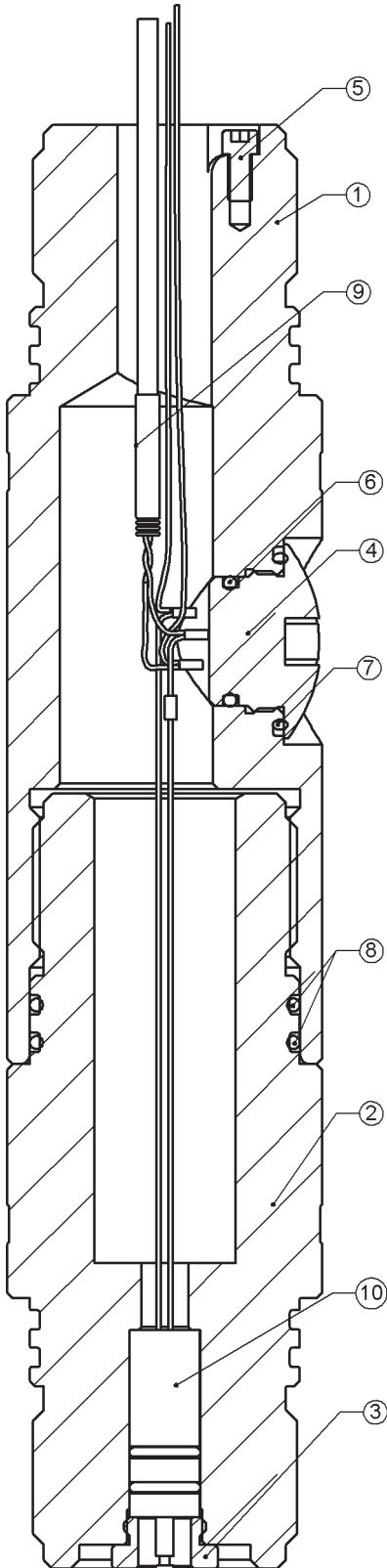
Size		Nominal OD		Pressure Rating
73 mm	2.875 in	79 mm	2.875 in	Same as Carrier
79 mm	3.125 in	79 mm	2.875 in	Same as Carrier
86 mm	3.375 in	86 mm	3.375 in	Same as Carrier
101 mm	4.000 in	101 mm	4.000 in	Same as Carrier
127 mm	5.000 in	127 mm	5.000 in	Same as Carrier

# E & B Select Fire Side Port Tandem Sub Assembly

MAN-30-XXX-0002-96



Owen Oil Tools



Item	Part Number	Qty	Description
--	<b>30-073-0002-96</b>	--	<b>73mm E&amp;B Select Fire Side Port Arming &amp; Switch Tandem Sub Assembly</b>
1	30-073-0002-11	1	E&B Select Fire Arming Sub
2	30-073-0002-12	1	E&B Select Fire Switch Sub
3	30-000-0024-00	1	E&B Retainer Nut
4	WT-401-0007-000	1	Top Fire Sub Cap, 1/2" Ratchet
5	PF-020-025F-050S	1	Cap Screw SO 1/4" - 28 UNF x 1/2" Lg.
6	OOO-N569-216	1	O-Ring 90 Durometer Nitrile
*7	OOO-N569-224	1	O-Ring 90 Durometer Nitrile
8	OOO-N569-228	2	O-Ring 90 Durometer Nitrile
9	(A) Reference	1	DET-0000-010L, DET-3050-084 or DET-3051-021
10	(A) (B) Reference	1	E&B Switch

Item	Part Number	Qty	Description
--	<b>30-079-0002-96</b>	--	<b>79mm E&amp;B Select Fire Side Port Arming &amp; Switch Tandem Sub Assembly</b>
1	30-079-0002-12	1	E&B Select Fire Arming Sub
2	30-079-0002-13	1	E&B Select Fire Switch Sub
3	30-000-0024-00	1	E&B Retainer Nut
4	WT-401-0007-000	1	Top Fire Sub Cap, 1/2" Ratchet
5	PF-020-025F-050S	1	Cap Screw SO 1/4" - 28 UNF x 1/2" Lg.
6	OOO-N569-216	1	O-Ring 90 Durometer Nitrile
*7	OOO-N569-224	1	O-Ring 90 Durometer Nitrile
8	OOO-N569-230	2	O-Ring 90 Durometer Nitrile
9	(A) Reference	1	DET-0000-010L, DET-3050-084 or DET-3051-021
10	(A) (B) Reference	1	E&B Switch

Item	Part Number	Qty	Description
--	<b>30-086-0002-96</b>	--	<b>86mm E&amp;B Select Fire Side Port Arming &amp; Switch Tandem Sub Assembly</b>
1	30-086-0002-12	1	E&B Select Fire Arming Sub
2	30-086-0002-13	1	E&B Select Fire Switch Sub
3	30-000-0024-00	1	E&B Retainer Nut
4	WT-401-0007-000	1	Top Fire Sub Cap, 1/2" Ratchet
5	PF-020-025F-050S	1	Cap Screw SO 1/4" - 28 UNF x 1/2" Lg.
6	OOO-N569-216	1	O-Ring 90 Durometer Nitrile
*7	OOO-N569-224	1	O-Ring 90 Durometer Nitrile
8	OOO-N569-231	2	O-Ring 90 Durometer Nitrile
9	(A) Reference	1	DET-0000-010L, DET-3050-084 or DET-3051-021
10	(A) (B) Reference	1	E&B Switch

Item	Part Number	Qty	Description
--	<b>30-101-0002-96</b>	--	<b>101mm E&amp;B Select Fire Side Port Arming &amp; Switch Tandem Sub Assembly</b>
1	30-101-0002-13	1	E&B Select Fire Arming Sub
2	30-101-0002-14	1	E&B Select Fire Switch Sub
3	30-000-0024-00	1	E&B Retainer Nut
4	WT-401-0007-000	1	Top Fire Sub Cap, 1/2" Ratchet
5	PF-020-025F-050S	1	Cap Screw SO 1/4" - 28 UNF x 1/2" Lg.
6	OOO-N569-216	1	O-Ring 90 Durometer Nitrile
*7	OOO-N569-224	1	O-Ring 90 Durometer Nitrile
8	OOO-N569-236	2	O-Ring 90 Durometer Nitrile
9	(A) Reference	1	DET-0000-010L, DET-3050-084 or DET-3051-021
10	(A) (B) Reference	1	E&B Switch

Item	Part Number	Qty	Description
--	<b>30-127-0002-96</b>	--	<b>127mm E&amp;B Select Fire Side Port Arming &amp; Switch Tandem Sub Assembly</b>
1	30-127-0002-11	1	E&B Select Fire Arming Sub
2	30-127-0002-12	1	E&B Select Fire Switch Sub
3	30-000-0024-00	1	E&B Retainer Nut
4	WT-401-0007-000	1	Top Fire Sub Cap, 1/2" Ratchet
5	PF-020-025F-050S	1	Cap Screw SO 1/4" - 28 UNF x 1/2" Lg.
6	OOO-N569-216	1	O-Ring 90 Durometer Nitrile
*7	OOO-N569-224	1	O-Ring 90 Durometer Nitrile
8	OOO-N569-346	2	O-Ring 90 Durometer Nitrile
9	(A) Reference	1	DET-0000-010L, DET-3050-084 or DET-3051-021
10	(A) (B) Reference	1	E&B Switch

(A) Not Included in Assembly

(B) Comes in both positive (P-100ST) and negative (N-100ST) polarity

\*Note: A OOO-N569-223 O-ring may fit better on some of the older subs