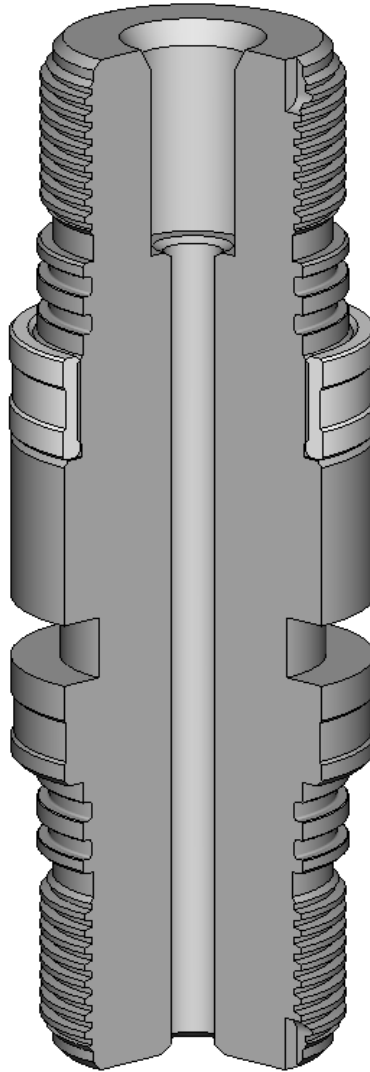


Expendable Orienting Tandem Subs

Description

Orienting Tandem Subs are used with oriented gun systems in horizontal perforating. The sub features a lock ring that allows adjacent guns to be aligned and rotationally locked prior to running.



Gun Size	1-11/16"	2-1/8"	70 mm (2-3/4")		86 mm (3-3/8")		101 mm (4")		127 mm (5")	
Maximum OD	1.688 in	2.125 in	70 mm	2.750 in	86 mm	3.375 in	101 mm	4.000 in	127 mm	5.000 in
Overall Length	5.900 in	5.900 in	234.9	9.250 in	253.0	9.960 in	251.5	9.900 in	238.0	9.370 in
Part Number	TAG-1687-285	TAG-2125-281OR	30-070-0002-60		30-086-0002-6L		30-101-0002-6L		30-127-0002-60	