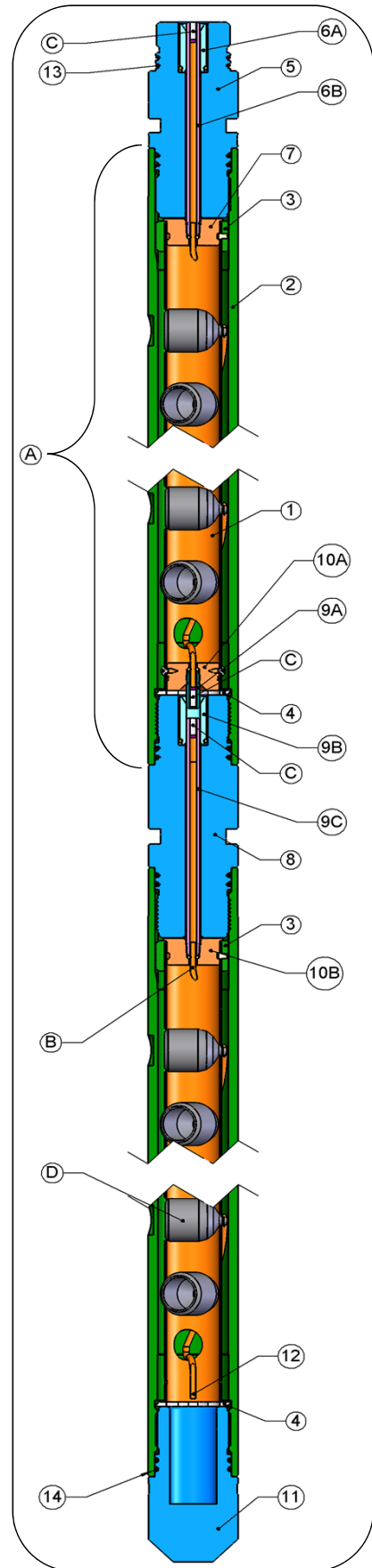
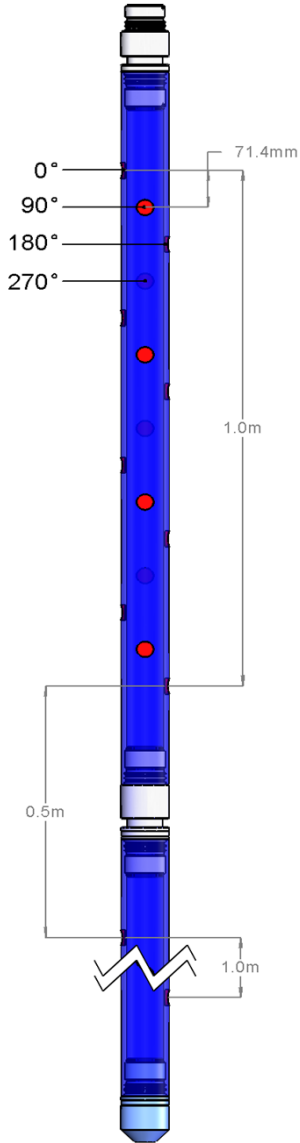
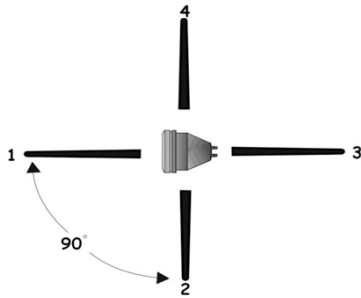


Item	Part No.	Description	
A	31-127-0731-10	Scalloped Gun System, 127mm x 1.0m, 14 spm, 90° Spiral	
	31-127-0731-15	Scalloped Gun System, 127mm x 1.5m, 14 spm, 90° Spiral	
	31-127-0731-20	Scalloped Gun System, 127mm x 2.0m, 14 spm, 90° Spiral	
	31-127-0731-25	Scalloped Gun System, 127mm x 2.5m, 14 spm, 90° Spiral	
	31-127-0731-30	Scalloped Gun System, 127mm x 3.0m, 14 spm, 90° Spiral	
	31-127-0731-35	Scalloped Gun System, 127mm x 3.5m, 14 spm, 90° Spiral	
	31-127-0731-40	Scalloped Gun System, 127mm x 4.0m, 14 spm, 90° Spiral	
	31-127-0731-50	Scalloped Gun System, 127mm x 5.0m, 14 spm, 90° Spiral	
31-127-0731-60	Scalloped Gun System, 127mm x 6.0m, 14 spm, 90° Spiral		
		Includes items 1, 2, 3 and 4	
1	39-057-0731-10	Tube Strip, 57mm x 1.0m, 14 spm, 90° Spiral	15
	39-057-0731-15	Tube Strip, 57mm x 1.5m, 14 spm, 90° Spiral	22
	39-057-0731-20	Tube Strip, 57mm x 2.0m, 14 spm, 90° Spiral	29
	39-057-0731-25	Tube Strip, 57mm x 2.5m, 14 spm, 90° Spiral	36
	39-057-0731-30	Tube Strip, 57mm x 3.0m, 14 spm, 90° Spiral	43
	39-057-0731-35	Tube Strip, 57mm x 3.5m, 14 spm, 90° Spiral	50
	39-057-0731-40	Tube Strip, 57mm x 4.0m, 14 spm, 90° Spiral	57
	39-057-0731-50	Tube Strip, 57mm x 5.0m, 14 spm, 90° Spiral	71
	39-057-0731-60	Tube Strip, 57mm x 6.0m, 14 spm, 90° Spiral	85
2	31-127-0700-10	Scalloped Carrier, 127mm x 1.0m, 14 spm, 90° Spiral	
	31-127-0700-15	Scalloped Carrier, 127mm x 1.5m, 14 spm, 90° Spiral	
	31-127-0700-20	Scalloped Carrier, 127mm x 2.0m, 14 spm, 90° Spiral	
	31-127-0700-25	Scalloped Carrier, 127mm x 2.5m, 14 spm, 90° Spiral	
	31-127-0700-30	Scalloped Carrier, 127mm x 3.0m, 14 spm, 90° Spiral	
	31-127-0700-35	Scalloped Carrier, 127mm x 3.5m, 14 spm, 90° Spiral	
	31-127-0700-40	Scalloped Carrier, 127mm x 4.0m, 14 spm, 90° Spiral	
	31-127-0700-50	Scalloped Carrier, 127mm x 5.0m, 14 spm, 90° Spiral	
	31-127-0700-60	Scalloped Carrier, 127mm x 6.0m, 14 spm, 90° Spiral	
			Includes item 4
3	30-127-0005-57	Alignment Collar	
4	30-127-0004-00	Retaining Ring	
5	30-127-0001-75	Top Sub, TCP	13.2 kg (29.1 lbs)
6	TCP-0100-375	Top Sub Booster Transfer Kit	Includes 6A & 6B
7	TC-261-2250-057	Top Sub Booster Puck Kit	
8	30-127-0002-0L	Tandem Sub, Long TCP	20.2 kg (44.5 lbs)
9	TCP-0100-375L	Tandem Booster Transfer Kit	Includes 9A, 9B & 9C
10	TC-251-2250-057	Tandem Booster Insert (Puck) Kit	Includes 10A & 10B
11	30-127-0003-00	Bottom Sub	13.2 kg (29 lbs)
12	DET-0010-001	Det Cord End Seal	
13	OOO-N569-230	O-Ring, #230, 90 Duro Nitrile	
	OOO-V569-230	O-Ring, #230, 90 Duro Viton	
14	OOO-N569-346	O-Ring, #346, 90 Duro Nitrile	
	OOO-V569-346	O-Ring, #346, 90 Duro Viton	
B	A570010	Detonating Cord XHV 80gr., RDX	
	A572010	Detonating Cord XHV 80gr., HMX	
	-	-	
		-	
		Approx. Req'd Detcord Length = (1.212 X Gun Length in Meters) + 0.7m	
C	DET-3050-429	Bi-Directional Booster	
D	HSC-5000-321Z	Charge, 32g RDX, DP	Dry
	HSC-5000-325F	Charge, 32g RDX, BH	Dry
	SDP-4500-311NT3	Charge, 39g RDX, SDP, NT3- Super-Hero	Dry
	SDP-4500-411NT3	Charge, 39g HMX, SDP, NT3- Super-Hero	Dry
	TAG-4500-311	Charge, 39g RDX, DP	Dry
--	TAG-4010-180	Blank Charge Case (Non Explosive)	

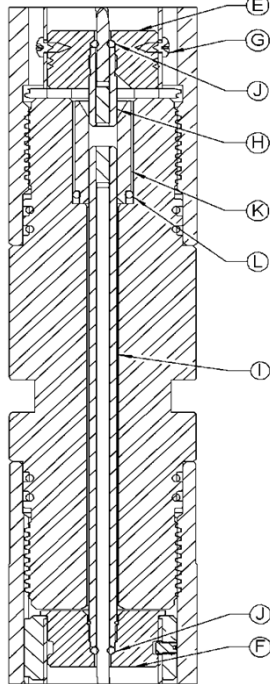


Notes:  
 Refer to Technical Section for Temperature Ratings & selection  
**Worst Case Minimum Recommended Running ID 144.2 mm (5.675 in.)**  
 See API Data Sheets or call for Individual Charge running ID's.  
 Tandem Shot Spacing = 468 mm



14spm 90°

**Tandem Booster Transfer**



See Tech Manuals  
MAN-TC-251  
Tandem  
&  
MAN-TC-261 Top  
for more details on  
booster transfer kits

Firing Heads	A
<b>See TCP Section</b>	
Mech Impact	TC-010
Econo Mech Impact	TC-011
Mech Safety Impact	TC-012
Pressure Activated	TC-020
Press w/ Auto Vent	TC-023
Pr. Auto Vent & Fill	TC-024
Absolute Press	TC-026
Coil Tubing Press	TC-030
CT Safety Impact	TC-031
CT AutoVent	TC-032
Note: TC-011 is Shown	

Detonator	B
<b>See Detonator Section</b>	
Note: DET-3050-006 is Shown	

Wireline Firing Subs	C
Ported Top Fire Sub WT-401	

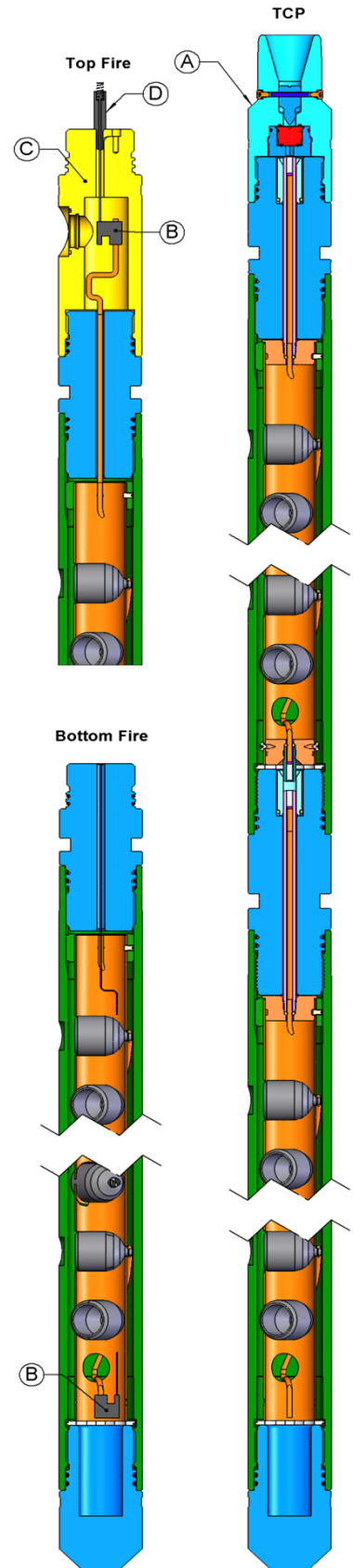
Connectors	D
Electrical Conn. Assy.	HSC-0100-010 & 012

Tandem Sub Booster Kit 2.25 in. (57 mm) Strip	
Part No.	Description
TC-251-2250-057 contains items E, F, & G	Tandem Booster Insert (Puck) Kit
TCP-0100-375L contains items H, I, J, K, & L	Booster Kit

Specifications		
Pressure Rating	72 Mpa	10,500 psi
Tensile Strength	97,500 daN	219,100 lbf
Carrier Thread	4.500 - 6 TPI Stub Acme	
Gun Weight Loaded	36.5 kg/m	24.5 lb/ft

Note: Gun Weight Loaded = Carrier + Strip + Charges

**Typical Configurations**



Optional Subs		
Part No.	Description	
30-127-0001-00	Top Sub, Wireline	14.5 kg (32 lbs)
30-127-0001-75	Top Sub, TCP	13.2 kg (29.1 lbs)
30-127-0002-96	Tandem Sub, Side Port Select Fire	29.1 kg (64.2 lbs)
-	-	-
-	-	-
-	-	-