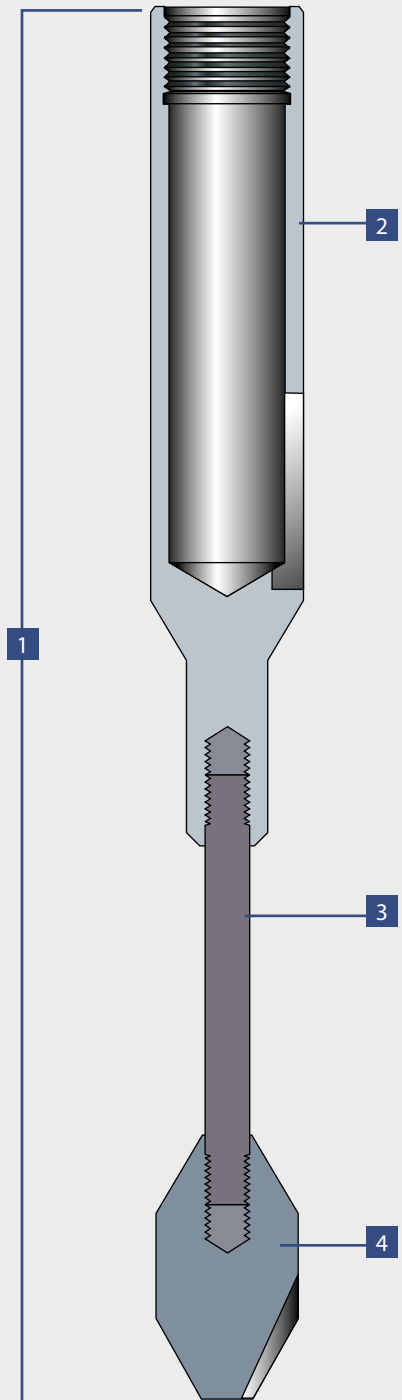


# FREE POINT COMPONENTS

## 5/8", 11/16", 3/4", 1", 1 3/8" & 1 5/8" Shot Rod Hanger Assembly

Ref.	Part No.	Description
1	ASO-0018	5/8" Shot Rod Hanger Assy (1/4" Rod)
	AS1-0016	11/16" Shot Rod Hanger Assy (1/4" Rod)
	AS2-0015	3/4" Shot Rod Hanger Assy (1/4" Rod)
	AS3-0037	1" Shot Rod Hanger Assy (3/8" Rod)
	AS4-0096	1 3/8" Shot Rod Hanger Assy (3/8" Rod)
	AS6-0104	1 5/8" Shot Rod Hanger Assy (3/8" Rod)
2	AS0-0002	5/8" Shot Rod Hanger Sub (1/2"-20 V Threads)
	AS1-0015	11/16" Shot Rod Hanger Sub (1/2"-20 V Threads)
	AS2-0003	3/4" Shot Rod Hanger Sub (11/16"-28 Stub Acme Threads)
	AS3-0002	1" Shot Rod Hanger Sub (13/16"-16 UN Threads)
	AS4-0002	1 3/8" Shot Rod Hanger Sub (1 3/16"-12 UN Threads)
	AS6-0098	1 5/8" Shot Rod Hanger Sub (1 3/16"-12 UN Threads)
3	0.625-0033	1/4" Shot Rod (1/4"-20 UNC Threads)
	1.375-0131	3/8" Shot Rod (3/8"-16 UNC Threads)
4	0.625-0033	5/8" & 3/4" Shot Rod Bull Plug
	0.687-0085	11/16" Shot Rod Bull Plug
	1.-0125	1" Shot Rod Bull Plug
	1.375-0117	1 3/8" Shot Rod Bull Plug
	1.625-0101	1 5/8" Shot Rod Bull Plug



**APPLIED  
ELECTRONIC  
SYSTEMS**

a **Sondex** company  
[www.aesla.com](http://www.aesla.com)