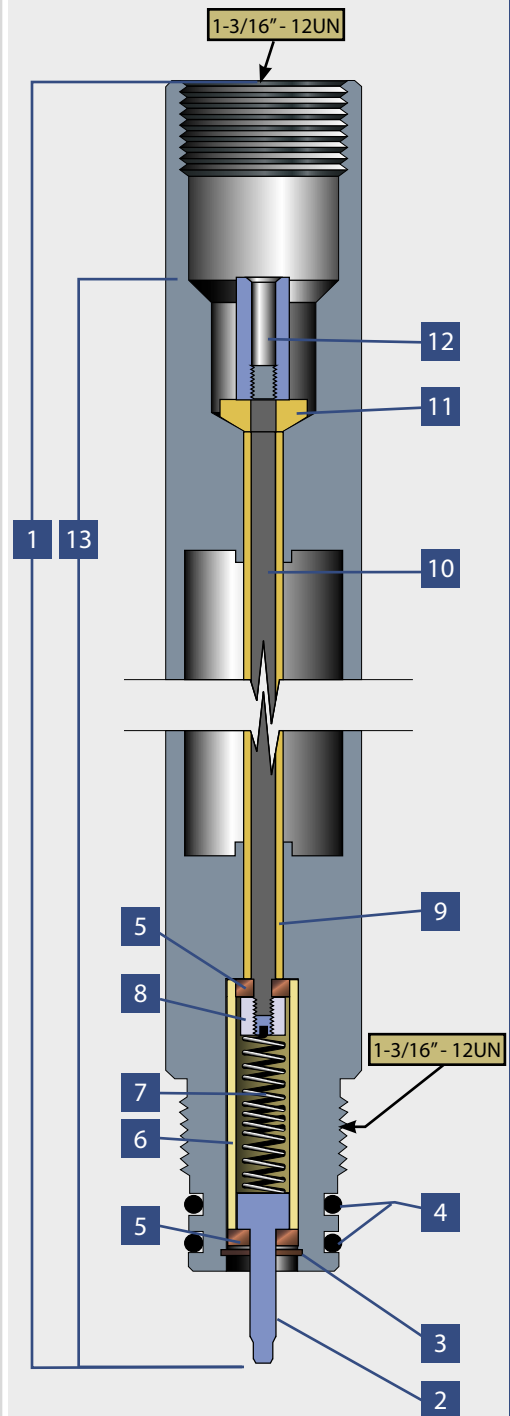


# SINKER BAR COMPONENTS

## 1-3/8" - 2" Sinker Bars

Ref.	Part No.	Description
1	AS4-0004	1 3/8" X 5' Steel Sinker Bar Assy
	AS5-0016	1 7/16" X 5' Steel Sinker Bar Assy
	AS6-0002	1 11/16" X 5' Steel Sinker Bar Assy
	AS4-0009	1 3/8" X 5' Tungsten Sinker Bar Assy
	AS4-0015	1 3/8" X 7' Tungsten Sinker Bar Assy
	AS5-0004	1 7/16" X 5' Tungsten Sinker Bar Assy
	AS5-0005	1 7/16" X 7' Tungsten Sinker Bar Assy
	AS6-0003-1	1 11/16" X 3' Tungsten Sinker Bar Assy
	AS6-0003	1 11/16" X 5' Tungsten Sinker Bar Assy
	AS6-0004	1 11/16" X 7' Tungsten Sinker Bar Assy
	AS9-0001	2" X 5' Tungsten Sinker Bar Assy
	AS9-0002	2" X 7' Tungsten Sinker Bar Assy
	AS5-0020	1 7/16" X 3' Lead Sinker Bar Assy
	AS5-0021	1 7/16" X 5' Lead Sinker Bar Assy
	AS5-0022	1 7/16" X 7' Lead Sinker Bar Assy
	AS6-0032	1 11/16" X 3' Lead Sinker Bar Assy
	AS6-0033	1 11/16" X 5' Lead Sinker Bar Assy
	AS6-0034	1 11/16" X 7' Lead Sinker Bar Assy
	AS9-0022	2" X 3' Lead Sinker Bar Assy
AS9-0023	2" X 5' Lead Sinker Bar Assy	
AS9-0024	2" X 7' Lead Sinker Bar Assy	
2	1.0033	Contact Plunger
3	HOO-0065	Retainer Ring
4	OOO-0211	C-67 211 O-Ring
5	1.0041	Insulating Washer
6	1.0042	Contact Insulator
7	1.0037	Contact Spring
8	1.375-0081	Contact Nut
9	BOO-0032	Insulating Sleeve
10	1.375-0393	Contact Thru Rod For 3' Bars (Plunger Contact)
	1.375-0296	Contact Thru Rod For 5' BARS (Plunger Contact)
	1.375-0184	Contact Thru Rod For 7' BARS (Plunger Contact)
11	1.0086	Insulating Bevel Washer
12	1.0087A	Contact Receptacle
13	KIT-6-0032	All 3' Bars Listed Above (Plunger Contact)
	KIT-4-0004	All 5' Bars Listed Above (Plunger Contact)
	KIT-4-0015	All 7' Bars Listed Above (Plunger Contact)



**APPLIED  
ELECTRONIC  
SYSTEMS**

a **Sondex** company  
[www.aesla.com](http://www.aesla.com)