



Shorty Setting Tool SB Technical Manual

1.500 SB
1.687 SB

MAN-SET-020 (R04)

Owen Oil Tools

12001 CR 1000

Godley, Texas, 76044, USA

Phone: +1 (817) 551-0540

Fax: +1 (817) 551-1674

www.corelab.com/owen

Warning: Use of Owen equipment contrary to manufacturer's specifications or operating instructions may result in property damage, serious injury or fatality. If you are not trained in the handling and use of explosive devices, do not attempt to use or assemble any Owen perforating systems or Owen firing devices.

This technology is regulated by and, if exported, was exported from the United States in accordance with the Export Administration Regulations (EAR). Diversion contrary to U.S. law is prohibited. Export and/or re-export of this technology may require issuance of a license by the Bureau of Industry and Security (BIS), U.S. Department of Commerce. Consult the BIS, the EAR, and/or Owen Compliance Services, Inc. to determine licensing requirements for export or re-export of this technology.

This document contains Confidential Information of Owen Oil Tools LP (Owen) and is furnished to the customer for information purposes only. This document must not be reproduced in any way whatsoever, in part or in whole, or distributed outside the customer organization, without first obtaining the express written authorization of Owen. This document is the property of Owen and returnable upon request of Owen.

© 2009 Owen Oil Tools

Shorty Setting Tool SB Tech Manual



Description

Owen Single Stage Setting Tools are compact wireline tools. The burning of a power charge produces high-pressure gas for setting bridge plugs cement retainers and packers.

Benefits/Capabilities

- Pressure balanced top and bottom pistons
- Eliminates presetting of plugs and patches, caused by high hydrostatic pressure
- 15,000 psi pressure rating

Operation

An electrically actuated, high temperature rated igniter located at the upper end of the tool is ignited and produces a flash flame which in turn, ignites the power charge that is located directly below the igniter. The power charge is constructed of carefully controlled combustible elements and begins a slow burn of approximately 30 seconds. The resultant gas derived from the burning charge gradually builds up to high pressure and causes the tool to stroke.

This motion anchors the bridge plug to the casing and then pulls the release stud of the plug in half, freeing the setting tool for retrieval from the well.

An oil damper system is built into the tool to control the speed at which the tool strokes. As the tool elongates, this oil is forced through an annular orifice and out of the tool at a controlled rate. This prevents the tool from stroking too fast and damaging the tool once the release stud pulls apart. Excess oil is purged out automatically during the assembly. Likewise, oil expansion caused by high temperature during running is purged in the same manner.



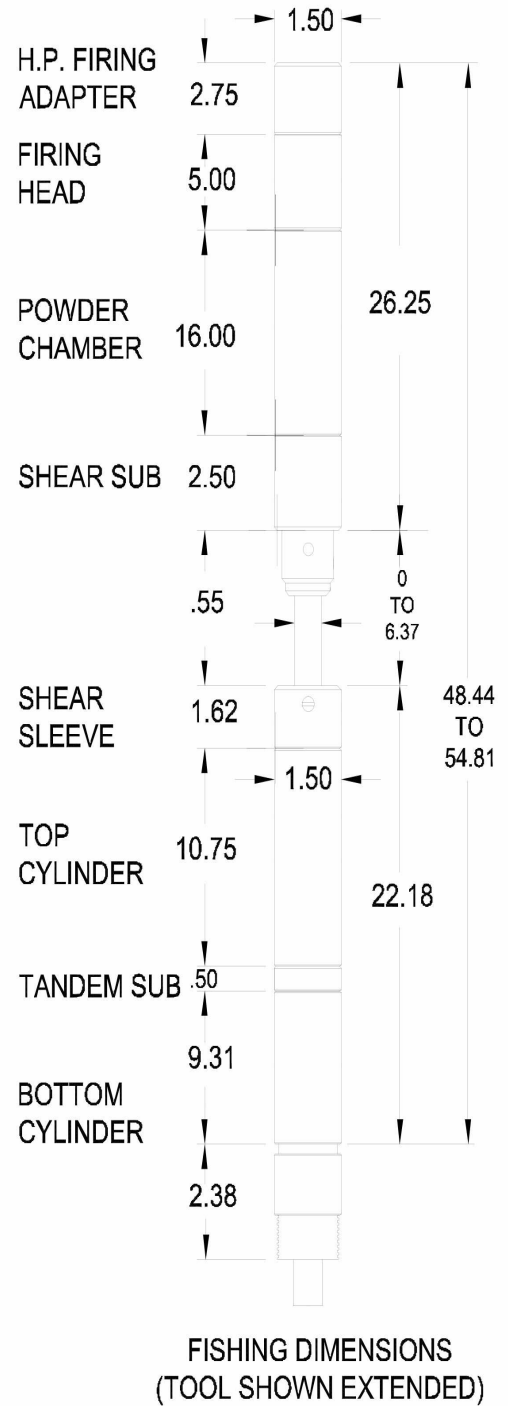
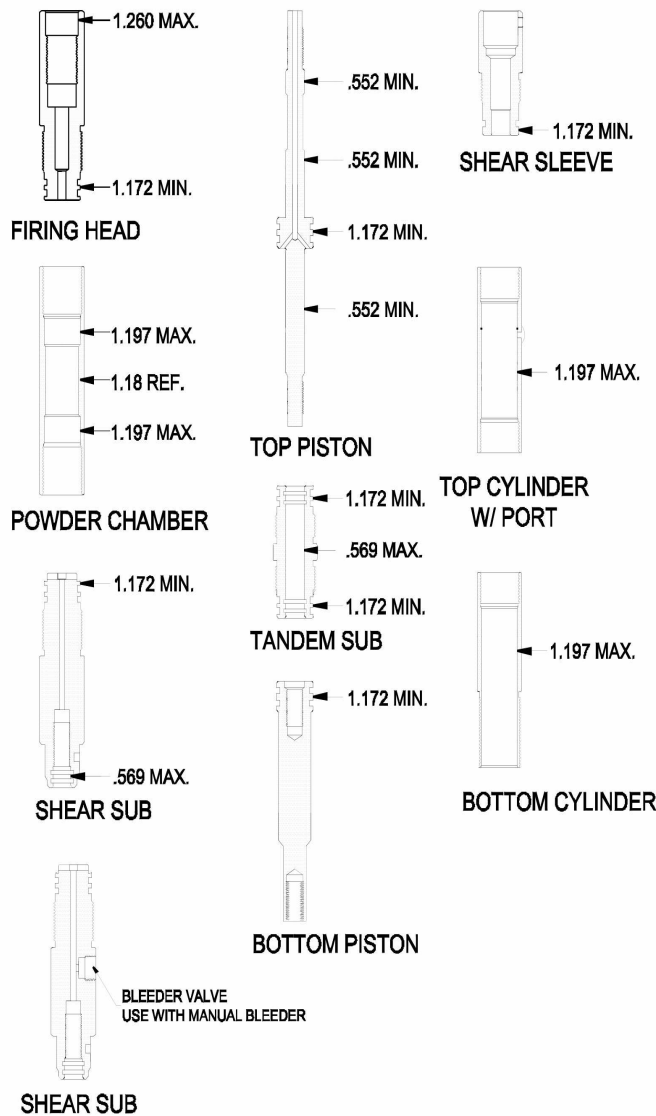
Caution: *It is mandatory that the tool is filled to capacity with oil after each use or damage to the tool will result!*

Shorty Setting Tool SB Tech Manual

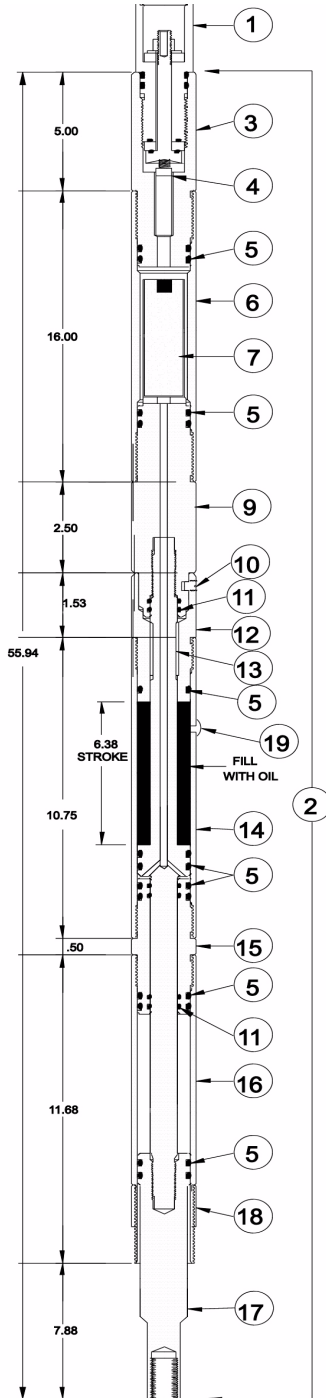


1.500 inch Inspection and Fishing Dimensions

Note: Dimensions shown are critical. When setting tool components wear to a point approaching these figures, they must be reloaded. Do not use a component whose dimensions exceed the maximum wear dimensions given below



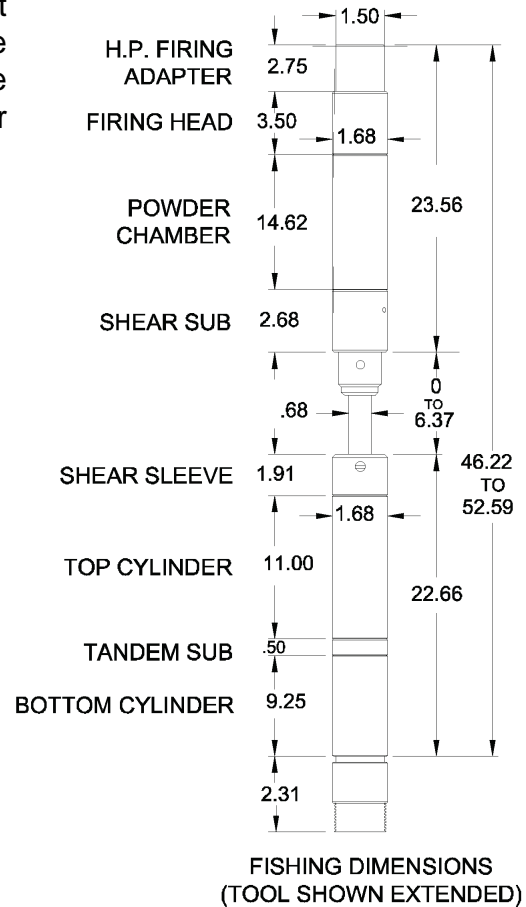
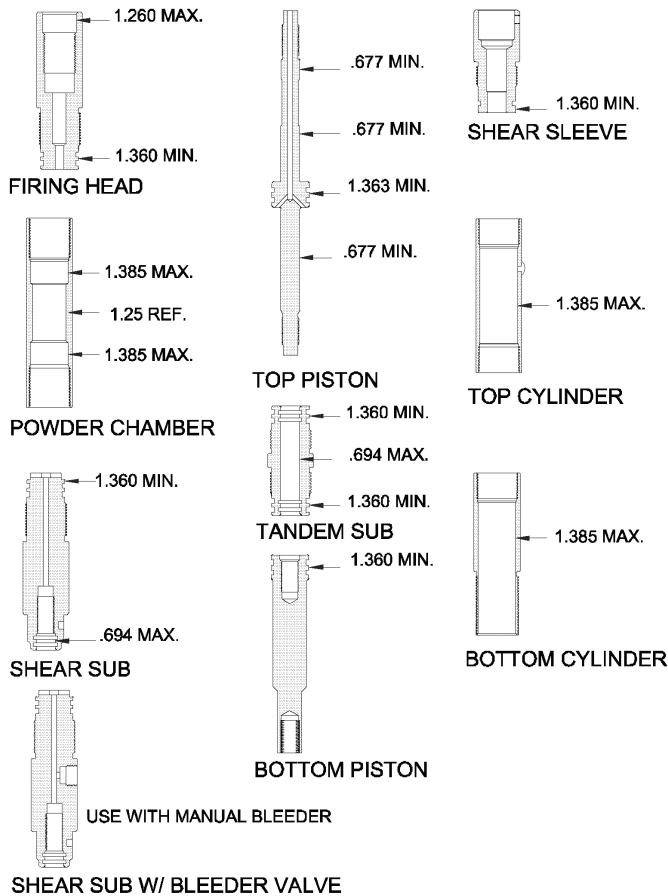
1.500 inch Schematic and Bill of Materials



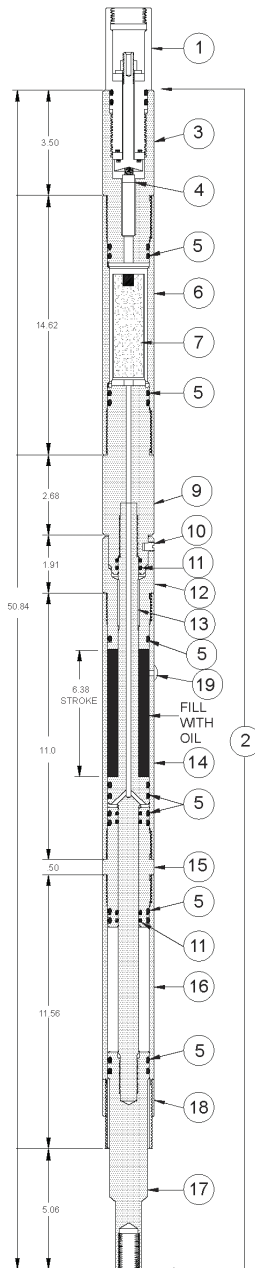
ITEM	QTY	PART NUMBER	DESCRIPTION
1		AES-AS80005	ASSY. - 1-1/2" O.D. HIGH PRESSURE FIRING ADAPTER
2		SET-1500-000	ASSY. - 1-1/2" O.D. SHORTY SETTING TOOL ALL TEMP ITEMS 1,4 AND 7 NOT INCL. IN EITHER ASSY.
3	1	SET-1500-010	FIRING HEAD - HIGH PRESSURE
4	1	DET-5306-074	IGNITOR ASSY. POWER CHARGE
5*	13	OOO-V569-213	O-RING
6	1	SET-1500-002	POWDER CHAMBER
7	1	JEC-5302-041	POWER CHARGE - HIGH TEMP. - 400°F
9	1	SET-1500-013	SHEAR SUB - NON PORTED (NO BLEEDER VALVE)
10*	1	SET-2125-020	BRASS SHEAR SCREW, 2,000 lbs
11*	6	OOO-V569-113	O-RING
12	1	SET-1500-004	SHEAR SLEEVE
13	1	SET-1500-005	TOP PISTON
14	1	SET-1500-006P	TOP CYLINDER W/ PORT
15	1	SET-1500-011	TANDEM SUB
16	1	SET-1500-007	BOTTOM CYLINDER
17	1	SET-1500-008	BOTTOM PISTON

1.687 inch Inspection and Fishing Dimensions

Note: Dimensions shown are critical. When setting tool components wear to a point approaching these figures, they must be replaced. Do not use a component whose dimensions exceed the maximum wear dimensions given below



1.687 inch Schematic and Bill of Materials



ITEM	QTY	PART NUMBER	DESCRIPTION
1		AES-AS80005	ASSY. - 1-11/16" O.D. HIGH PRESSURE FIRING ADAPTEI
2		SET-1687-000	ASSY. - 1-11/16" O.D. SHORTY SETTING TOOL ALL TEMP
			ITEMS 1,4, AND 7 NOT INCL. IN EITHER ASSY.
3	1	SET-1687-010	FIRING HEAD - HIGH PRESSURE
4	1	DET-5306-074	IGNITOR ASSY. - POWER CHARGE
*5	13	OOO-V569-216	O-RING
6	1	SET-1687-002	POWDER CHAMBER
7	1	JEC-5302-041	POWER CHARGE - HIGH TEMP. - 400°F
9	1	SET-1687-013	SHEAR SUB - NON PORTED (NO BLEEDER VALVE)
*10	1	SET-2125-020	BRASS SHEAR SCREW, 2,000 lbs
*11	6	OOO-V569-115	O-RING
12	1	SET-1687-004	SHEAR SLEEVE
13	1	SET-1687-005	TOP PISTON
14	1	SET-1687-006P	TOP CYLINDER W/ PORT
15	1	SET-1687-011	TANDEM SUB
16	1	SET-1687-007	BOTTOM CYLINDER

1.0 Pre-Assembly



Warning: *Make sure all tool parts and components have been thoroughly cleaned or serious damage and/or injury could occur!*



Warning: *Personal Protective Equipment (PPE) such as steel toed footwear, safety glasses, etc...., should be worn at all times!*



Note: *Verify that the correct O-Ring redress kit and quantities are used as specified on the Bill Of Materials (for example, 5 each etc....). Lay out all redress kit components on a clean surface.*



Note: *Make sure to lubricate all O-Rings and threaded surfaces.*



Caution: *Make sure to wrench only on wrenching surfaces (knurled areas) provided! Always file wrench marks and burrs and clean off debris!*

2.0 Assembly

2.1 Install and lubricate all O-Rings.

2.2 Place the Top Cylinder (item #14) into the vise, then screw the Tandem Sub (item #15) into the Top Cylinder.



Note: *The Tandem Sub is installed into the Top Cylinder, into the end opposite the nylon plug hole.*

2.3 Slide the Top Piston (item #13) fully down, inside the Top Cylinder and Tandem Sub.



Note: *Ports in the piston should be positioned towards the bottom of the tool.*

2.4 Screw the Bottom Cylinder (item #16) onto the Tandem Sub.

2.5 Screw the Bottom Piston (item #17) onto the lower end of the Top Piston, until you see the top of the Top Piston rotate (this assures a proper connection).

2.6 First, install the nylon plug into the hole in the Top Cylinder, by tapping it in with a mallet. Remove the tool from the vise and stand up vertically. Fill the annular cavity of the Top Cylinder with SAE 10-40 oil, until oil level reaches the bottom of the thread in the upper end of the cylinder.



Caution: *Do not attempt to fire a setting tool that has not had oil installed, because serious damage will occur!*

2.7 Screw the Shear Sleeve (item #12) into the upper end of the Top Cylinder.

2.8 Screw the Shear Sub (item #9) onto the Top Piston. Put the tool back into the vise on the Top Cylinder. Make Shear Sleeve wrench tight on Top Cylinder. Place a back-up wrench on the Bottom Piston and make the Shear Sub wrench tight. Rotate the Shear Sub clockwise until the spot face lines up with the tapped hole in the Shear Sleeve. Now, install the Brass Shear Screw (item #10) into the Shear Sub.

2.9 Move the tool down in the vise to the Shear Sub. Now, screw the Powder Chamber (item #6) into the Shear Sub (item #9) and make wrench tight.

2.10 Next, remove the plastic end caps from the Power Charge and install into the Powder Chamber, with the open end of charge positioned towards the top of the tool.



Note: *The above statement is a suggested step, as always, please refer to your company's procedures for handling and installation of power charges (explosives or propellants).*

2.11 Screw the Firing Head (item #3) into the Powder Chamber.

2.12 Attach the Setting Tool Assembly to a Firing Adapter Assembly and Casing Collar Locator. Attach appropriate setting sleeve, adapter rod and bridge plug to be run.



Warning: *Always follow American Petroleum Institute (API) RP-67 guidelines when handling and operating power charges!*



Warning: *Never pre-load, pre-dress or leave an assembled tool for extended periods. Redress and clean tool prior to use. Never store a loaded tool!*



Note: *Clean and lubricate all parts immediately after each use.*



Note: *Visually inspect tool for swelling after each use. Damaged or swelled components **must be** replaced.*



Note: *It is recommended that a Magnetic Particle Inspection (MPI) be completed on all components at least every 20 runs.*

3.0 Pre-Disassembly



Warning: *Personal Protective Equipment (PPE) such as steel toed footwear, safety glasses, etc..., should be worn at all times!*



Caution: *Make sure to wrench only on wrenching surfaces (knurled areas) provided! Always file wrench marks and burrs and clean off debris!*



Warning: *After this self bled setting tool has been fired, very high gas pressure might still be trapped inside the tool!*

4.0 Disassembly

4.1 First, place the tool in a vise on the middle of the Top Cylinder (item #13).

4.2 After the gas pressure has been bled off, remove as one piece/section, the Shear Sub (item #9), Powder Chamber (item #6), Firing Head (item #3), and Firing Head Adapter (item #1) from the Top Piston (item #13). Set to the side for later disassembly in step 7.

4.3 Remove the Shear Sleeve (item #12), then screw in the Brass Shear Screw (item #10) until the screw falls out.

4.4 Next, to remove the Bottom Piston (item #17), place a back up on the undercut of the Top Piston (item #13), by turning counter-clockwise and remove from Bottom Cylinder.



Note: *You may have to bump up the Top Piston to gain access to the undercut. **Do not** wrench on the O-Ring area of the Piston.*

4.5 Move the tool down in vise to the Top Cylinder/Tandem Sub connection. Remove the Lock Ring (item #18) from the Bottom Cylinder, then remove the Bottom Cylinder (item #16), by turning counter-clockwise.

4.6 Take the tool out of the vise, then pickup the cylinder/piston, and drop on wood block or aluminum strike plate to drive the piston out of cylinder.

4.7 Place the Top Cylinder back into the vise and remove the Tandem Sub, by turning counter-clockwise.

4.8 Next, put the assembly from step 2 into the vise on the Powder Chamber (item #6). Now remove the Shear Sub (item #9) from the Powder Chamber. Then remove the Firing Head (item #3) from the Powder Chamber. Lastly, remove the used Power Charge (item #7) from the Powder Chamber.

4.9 Remove the Igniter by turning the Firing Head (item #3) upside down and dropping it on wood block or aluminum strike plate.



Note: *Remove and discard all O-Rings.*



Note: *Clean and lubricate all parts immediately after each use.*



Note: *Visually inspect tool for swelling after each use. Damaged or swelled components **must be** replaced.*



Note: *It is recommended that a Magnetic Particle Inspection (MPI) be completed on all components at least every 20 runs.*



Warning: *Always follow American Petroleum Institute (API) guidelines when handling and operating power charges!*



Warning: *Never pre-load, pre-dress or leave an assembled tool for extended periods. Redress and clean tool prior to use. Never store a loaded tool!*

