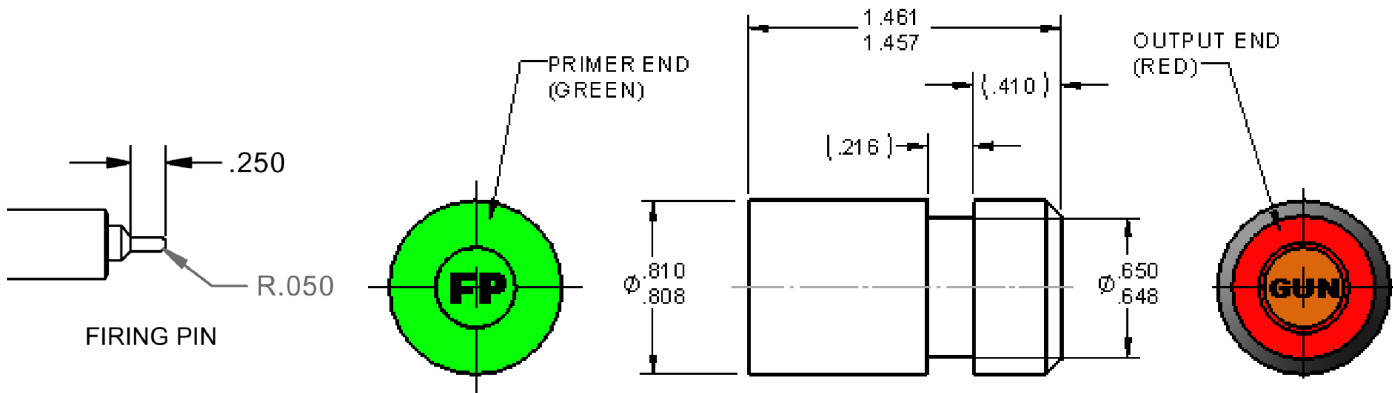


**PART NO. 51-1965-3**  
**HIGH TEMPERATURE PERCUSSION DETONATOR**  
**OILFIELD ORDNANCE DEVICE**



**DESCRIPTION**

This is an oilfield percussion fired detonator used primarily for initiating detonation of oilfield tubing conveyed perforating guns.

**MATERIAL DATA**

All exposed components are CRES

**SEALING PROPERTIES**

Primer End: Hermetic  
Output End: Vented

**EXPLOSIVE MATERIALS**

Primer Mix: 35 mgs TiKP/Glass  
Booster Charge: 168 mg Lead Azide  
Output Charge: 726 mg HNS

**SHIPPING CLASSIFICATION**

1.4S

**FIRING CHARACTERISTICS**

All-Fire: 10.23 ft-lbs  
No-Fire: 5.21 ft-lbs

**TEMPERATURE RATING**

435°F for 100 Hours

**FIRING CHARACTERISTICS**

Initiates detonation of secondary boosters  
Produces a .050 dent in steel witness blocks

**EC TYPE-EXAMINATION CERT**

0080.EXP.03.0045

THE DATA PRESENTED ABOVE IS FOR INFORMATION PURPOSES ONLY  
OWEN OIL TOOLS IS THE EXCLUSIVE DISTRIBUTOR OF PACIFIC SCIENTIFIC OIL FIELD PRODUCTS.  
CONTACT YOUR LOCAL OWEN OIL TOOLS REPRESENTATIVE FOR MORE INFORMATION