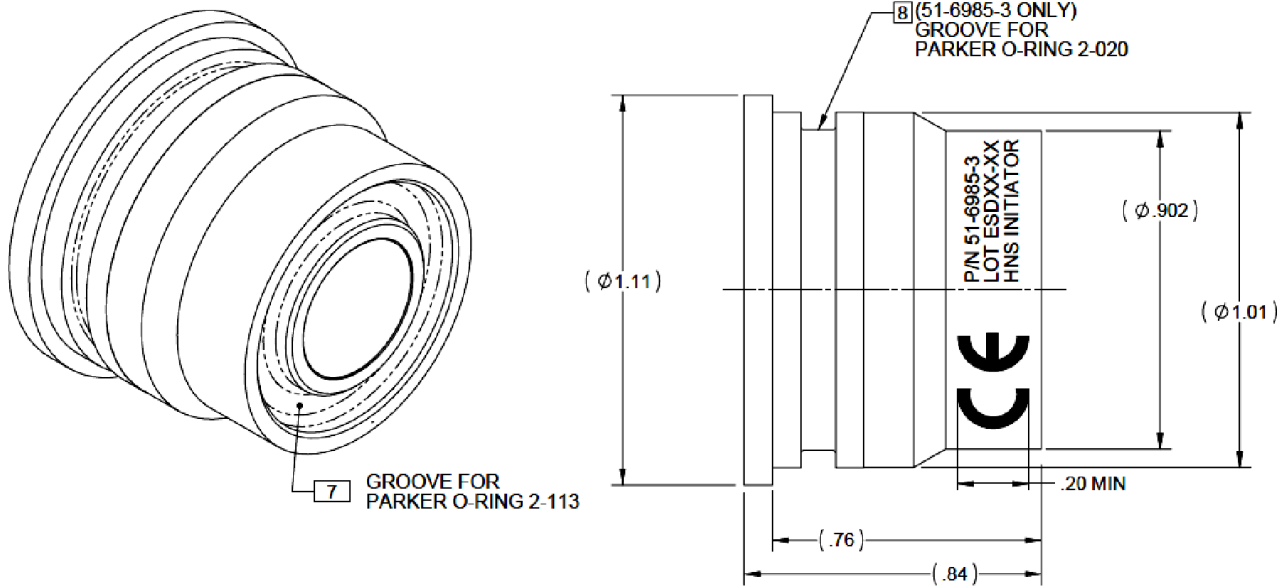


**51-6985-3, 51-6985-4**  
**HNS DETONATOR**  
**OIL FIELD ORDNANCE DEVICE**



**DESCRIPTION**

The percussion fired detonator is used for initiating detonation of oilfield tubing conveyed perforating guns. Unit withstands 25,000 psi through primer cap after firing.

**MATERIAL DATA**

Housing & Closure disks: CRES

**SEALING PROPERTIES**

Girth Weld: Hermetic  
Output Closure Disk: Environmental

**EXPLOSIVE MATERIALS**

Primer: 25 MG  
Booster Charge: 185 MG  
Output Charge: 330 MG HNS

**FIRING CHARACTERISTICS**

No-Fire: 7.4 FT-LBS  
All-Fire: 12.4 FT-LBS

**FIRING PIN CONFIG.**

.050 Spherical Radius or other

**PERFORMANCE**

Temperature Rating: 450°F for 100 hours  
430°F for 200 hours  
Initiation Gap: Initiates detonation of oilfield  
Booster at a 1.25 inch gap.

**SHIPPING**

NUMBER / CLASS: UN0455 / 1.4S  
NAME: Detonators, non-electric [for blasting]  
REFERENCE NUMBER: EX2007040098  
NRC Canada Authorized List

**EC TYPE EXAMINATION CERT**

0080.EXP.03.0040

THE DATA PRESENTED ABOVE IS FOR INFORMATION PURPOSES ONLY  
OWEN OIL TOOLS IS THE EXCLUSIVE DISTRIBUTOR OF PACIFIC SCIENTIFIC OIL FIELD PRODUCTS.  
CONTACT YOUR LOCAL OWEN OIL TOOLS REPRESENTATIVE FOR MORE INFORMATION