



Technical Bulletin
Engineering Department
Owen Oil Tools Division

Subject: **3-3/8" High Pressure Gun System**

From: **Jeremy Sherman**

Distribution: **Owen Buyer Planners; Owen Engineering; Owen Receiving; Owen International All; Owen Sales & Marketing; Owen Quality Control; Owen Machine Shop; Owen Warehouses All;**

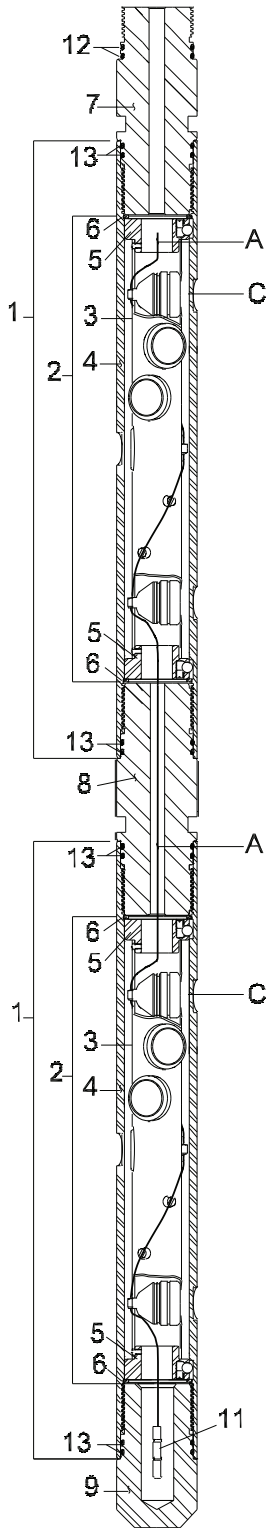
Date: **08/23/2010**

Reference: **PRJ-0794 (High Pressure Gun System)**

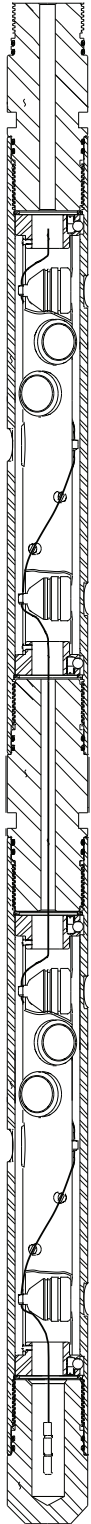
Owen Engineering has recently designed a 3-3/8" gun system for use in high pressure applications. This new system will be rated for up to 28,000 psi (193.0 Mpa). The internals for this new system are identical to the standard gun system, and loading procedures remain unchanged. Please see attached catalog pages.

Thank you,

Jeremy Sherman
Mechanical Engineer
Gun Systems



ITEM	PART NO.	DESCRIPTION
1	S33-0408-A21A	Shipping Assembly, 3-3/8" x 21', 4 spf, 60° Spiral
	S33-0408-A15A	Shipping Assembly, 3-3/8" x 15', 4 spf, 60° Spiral
	S33-0408-A11A	Shipping Assembly, 3-3/8" x 11', 4 spf, 60° Spiral
	S33-0408-A07A	Shipping Assembly, 3-3/8" x 7', 4 spf, 60° Spiral
	S33-0408-A04A	Shipping Assembly, 3-3/8" x 4', 4 spf, 60° Spiral
2	T21-0408-A21	Tube Strip, 21', 4 spf, 60° Spiral
	T21-0408-A15	Tube Strip, 15', 4 spf, 60° Spiral
	T21-0408-A11	Tube Strip, 11', 4 spf, 60° Spiral
	T21-0408-A07	Tube Strip, 7', 4 spf, 60° Spiral
	T21-0408-A04	Tube Strip, 4', 4 spf, 60° Spiral
3	TAG-3375-726	Carrier 3-3/8" x 21', 4 spf, 60° Spiral
	TAG-3375-725	Carrier 3-3/8" x 15', 4 spf, 60° Spiral
	TAG-3375-724	Carrier 3-3/8" x 11', 4 spf, 60° Spiral
	TAG-3375-723	Carrier 3-3/8" x 7', 4 spf, 60° Spiral
	TAG-3375-722	Carrier 3-3/8" x 4', 4 spf, 60° Spiral
4	TAG-3375-755U	End Plate Universal (1)
	TAG-3375-755UP	End Plate Universal w/pin (1)
5	TAG-3375-076	Carrier Snap Ring (N-5000-262) (2)
6	TAG-3375-280	Top Sub 2-3/8" Adapts to TCP or Wireline Systems
7	TAG-3375-281	Tandem Sub 2-3/8"
8	TAG-3375-078	Bull Plug 2-3/8"
	TAG-3375-078S	Bull Plug 4" w/2-3/8" EUE pin on bottom
--	TCP-0100-275 TAG-0100-040	Booster Transfer Kit, Universal - 3-1/3, 3-3/8 & 4" TAG Insert (Included w/Transfer Kit) see page con-1.0
10	DET-0010-001	Detonating Cord End Cover
11	OOO-N569-230	O-Ring, #230, 90 Duro Nitrile - see ref. section
	OOO-V569-230	O-Ring, #230, 90 Duro Viton - see ref. section
12	OOO-N569-231	O-Ring, #231, 90 Duro Nitrile - see ref. section
	OOO-V569-231	O-Ring, #231, 90 Duro Viton - see ref. section
A	DET-0325-017	Detonating Cord, 80 gr., RDX, LS - see ref. section
	DET-0412-007	Detonating Cord, 80 gr., HMX, LS - see ref. section
--	DET-3050-429	Bi-Directional Booster
C	SDP-3125-411NT4	Charge, HMX, SDP - NT4 - SUPER HERO™
	SDP-3125-311NT4	Charge, RDX, SDP - NT4 - SUPER HERO™
	SDP-3375-411NT3	Charge, HMX, SDP - NT3 - HERO
	SDP-3375-311NT3	Charge, RDX, SDP - NT3 - HERO
	SDP-3375-311NT	Charge, RDX, SDP
	TAG-5000-360	Charge, RDX, DP
	TAG-3375-311	Charge, RDX, DP/GH
	TAG-3375-311L	Charge, RDX, DP
	TAG-3375-311SL	Charge, RDX, DP
	TAG-3375-302	Charge, RDX, GH
HSC-3375-301	Charge, RDX, BH	
--	TAG-3375-905	Blank Charge Case (non-explosive)

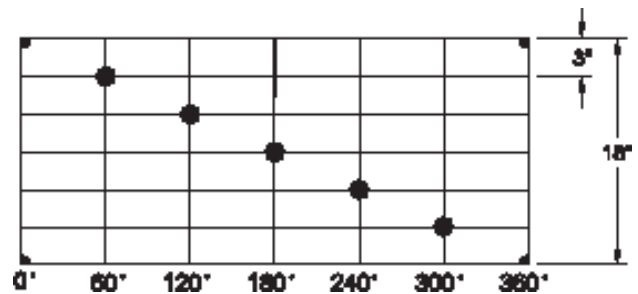
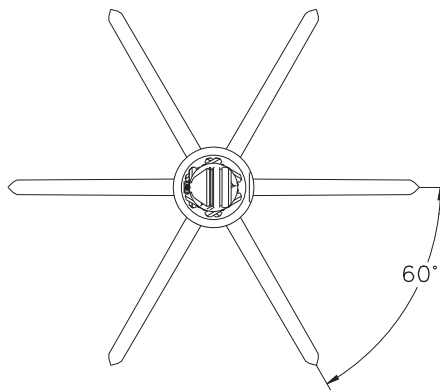


SPECIFICATIONS

Pressure Rating (standard)	137.9 Mpa	20,000 psi
Pressure Rating (high pressure)	193.0 Mpa	28,000 psi
Temperature	UP TO 260°C	UP TO 500°F
Tensile Strength	90.720 kg	200,000 lbs
Carrier Thread	2-13/16" - 6 ACME	
Gun Weight Loaded	22.0 kg/m	15.0 lb/ft

HIGH PRESSURE SYSTEM

ITEM	PART NO.	DESCRIPTION
1	S33-0408-A21D	Shipping Assembly, 3-3/8" x 21', 4 spf, 60° Spiral, High Pressure
	S33-0408-A15D	Shipping Assembly, 3-3/8" x 15', 4 spf, 60° Spiral, High Pressure
	S33-0408-A11D	Shipping Assembly, 3-3/8" x 11', 4 spf, 60° Spiral, High Pressure
	S33-0408-A07D	Shipping Assembly, 3-3/8" x 7', 4 spf, 60° Spiral, High Pressure
	S33-0408-A04D	Shipping Assembly, 3-3/8" x 4', 4 spf, 60° Spiral, High Pressure
3	C33-0475-A21D	Carrier 3-3/8" x 21', 4 spf, 60° Spiral, High Pressure
	C33-0475-A15D	Carrier 3-3/8" x 15', 4 spf, 60° Spiral, High Pressure
	C33-0475-A11D	Carrier 3-3/8" x 11', 4 spf, 60° Spiral, High Pressure
	C33-0475-A07D	Carrier 3-3/8" x 7', 4 spf, 60° Spiral, High Pressure
	C33-0475-A04D	Carrier 3-3/8" x 4', 4 spf, 60° Spiral, High Pressure



Note: 4 spf System qualified Dry,
6 spf System qualified in Fluid Only.
Charges and ancillary components for higher temperature applications
are available by Special Order.
Guns are available in standard lengths from 2 through 21 ft.
Gun lengths in increments of 0.5 ft are available by special order only.
Contact your local Owen rep for additional information.