

Threaded Ring Gun Centralizer

CN-010

MAN-CN-010 (R00)

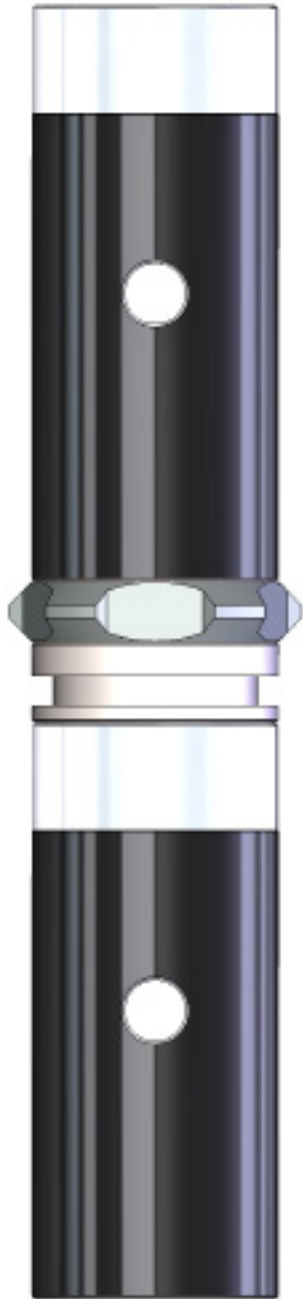
OWEN OIL TOOLS

12001 Cr 1000
Godley, Texas, 76044, USA
Phone: +1 (817) 551-0540
Fax: +1 (817) 551-1674
www.corelab.com/owen

Warning: use of owen equipment contrary to manufacturer's specifications or operating instructions may result in property damage, serious injury or fatality. If you are not trained in the handling and use of explosive devices, do not attempt to use or assemble any owen perforating systems or owen firing devices.

This technology is regulated by and, if exported, was exported from the united states in accordance with the export administration regulations (EAR). Diversion contrary to U.S. Law is prohibited. Export and/or re-export of this technology may require issuance of a license by the bureau of industry and security (BIS), U.S. Department of Commerce. Consult the BIS, the EAR, and/or Owen Compliance Services, Inc. To determine licensing requirements for export or re-export of this technology.

This document contains confidential information of Owen Oil Tools LP (Owen) and is furnished to the customer for information purposes only. This document must not be reproduced in any way whatsoever, in part or in whole, or distributed outside the customer organization, without first obtaining the express written authorization of owen. This document is the property of owen and returnable upon request of Owen.



DESCRIPTION

The Threaded Ring Gun Centralizer is used to centralize a gun system within a casing string. The threaded ring centralizer is installed on the tandem sub before the gun connection has been made while still allowing the landing plate groove to be accessible during make up. The use of an integral ring gives excellent strength but limits the maximum OD allowable.

FEATURES AND BENEFITS

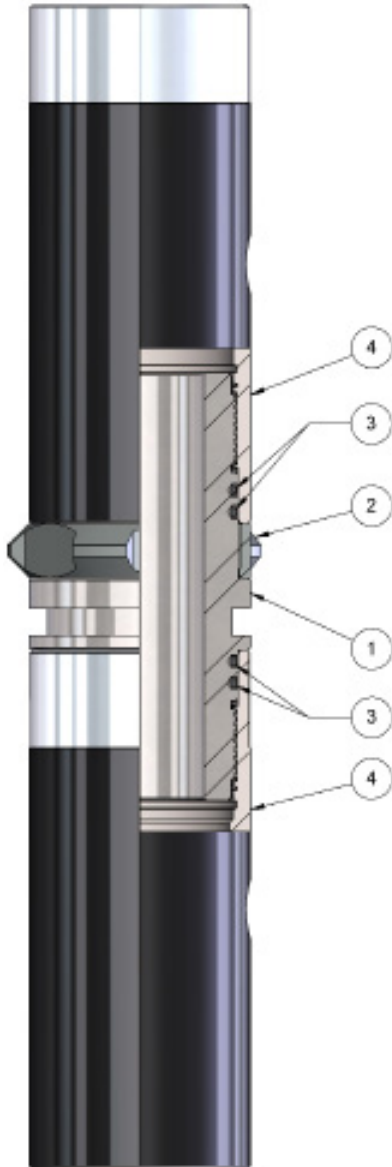
- Centralize gun system in casing.
- Milled flats allow fluids to pass by centralizer.
- Installed before gun connection is made and held in place between sub and gun system.

SPECIFICATIONS

PART NUMBER	CN-010-5125-001		CN-010-5125-002	
O.D.	6.116 in	155.3 mm	5.844 in	148.4 mm
Gun Size	5.125 in	130.1 mm	5.125 in	130.1 mm
Casing Size	7 in	177.8 mm	7 in	177.8 mm
	17-23 lb/ft	25-34 kg/m	26-32 lb/ft	38-47 kg/m

PART NUMBER	CN-020-5500-001		CN-020-5500-002	
O.D.	6.116 in	155.3 mm	5.844 in	148.4 mm
Gun Size	5.500 in	139.7 mm	5.500 in	139.7 mm
Casing Size	7 in	177.8 mm	7 in	177.8 mm
	17-23 lb/ft	25-34 kg/m	26-32 lb/ft	38-47 kg/m

BOM



ITEM NO.	QTY.	PART NUMBER	DESCRIPTION
--	--	CN-010-5125-001	THREADED RING GUN CENTRALIZER, 5-1/8" GUN SYSTEM, 6.116" OD
1	1	TAG-5125-281BBORC	BIG BORE ORIENTING TANDEM SUB
2	1	TAG-5125-314C01	CENTRALIZING RING, 6.116" OD
3	4	OOO-N569-346	O-RING, NITRILE #346 (not included)

ITEM NO.	QTY.	PART NUMBER	DESCRIPTION
--	--	CN-010-5125-002	THREADED RING GUN CENTRALIZER, 5-1/8" GUN SYSTEM, 5.844" OD
1	1	TAG-5125-281BBORC	BIG BORE ORIENTING TANDEM SUB
2	1	TAG-5125-314C02	CENTRALIZING RING, 5.844"
3	4	OOO-N569-346	O-RING, NITRILE #346 (not included)

ITEM NO.	QTY.	PART NUMBER	DESCRIPTION
--	--	CN-010-5500-001	THREADED RING GUN CENTRALIZER, 5-1/2" GUN SYSTEM, 6.116" OD
1	1	TAG-5500-281BBORC	BIG BORE ORIENTING TANDEM SUB
2	1	TAG-5500-314C01	CENTRALIZING RING, 6.116" OD
3	4	OOO-N569-351	O-RING, NITRILE #351 (not included)

ITEM NO.	QTY.	PART NUMBER	DESCRIPTION
--	--	CN-010-5500-002	THREADED RING GUN CENTRALIZER, 5-1/2" GUN SYSTEM, 5.844" OD
1	1	TAG-5500-281BBORC	BIG BORE ORIENTING TANDEM SUB
2	1	TAG-5500-314C02	CENTRALIZING RING, 5.844" OD
3	4	OOO-N569-351	O-RING, NITRILE #351 (not included)

ASSEMBLY

1.0 Pre-Assembly



Note: Before assembly, visually inspect all components for any defects.

2.0 Assembly

- 2.1 Thread the centralizing ring (Item #2) onto the big bore orienting tandem sub (Item #1).
- 2.2 Lightly grease and install O-Ring's (Item #3) onto both sides of the sub.
- 2.3 The centralizing sub is now assembled and ready to be used in the gun string.

