



TCP Detonator Body

TC-000-XXX-XXX

MAN-TC-000

Owen Oil Tools

5405 39139 Hwy 2A
Red Deer County Alberta Canada T4S 2B3
Phone: 1-403-340-1017
Fax: 1-403-340-1415
Toll Free: 1-888-345-1017

Warning: Use of Owen equipment contrary to manufacturer's specifications or operating instructions may result in property damage, serious injury or fatality. If you are not trained in the handling and use of explosive devices, do not attempt to use or assemble any Owen perforating systems or Owen firing devices.

Owen Oil Tools pre-assembles its tools as per the field operating manual. It is the responsibility of the purchaser to insure that this tool is assembled as required, prior to use.

This technology is regulated by and, if exported, was exported from the United States in accordance with the Export Administration Regulations (EAR). Diversion contrary to US Department of Commerce. Consult the BIS, the EAR and/or Owen Compliance Services, Inc. to determine licensing requirements for export or re-export of this technology.

This document contains Confidential information of Owen Oil Tools LP (Owen) and is furnished to the customer for information purposes only. This document must not be reproduced in any way whatsoever, in part or in whole, or distributed outside the customer organization, without first obtaining the express written authorization of Owen. This document is the property of Owen and returnable upon request by Owen.

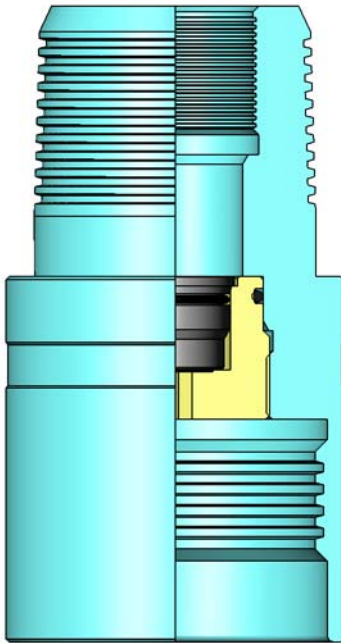


Blank Page



Description

The Firing Head Detonator Body is designed to accept the Owen Impact and Pressure Activated Firing Heads. The Detonator Body is available in 2 versions depending upon customer requirements. The standard body incorporates an initiator Retaining Nut for bottom loading the percussion detonator. An alternative version (TC-005) is available which utilizes a top loading percussion detonator. Both detonator bodies are available with 2-3/8 or 3-1/2 EUE pin thread.

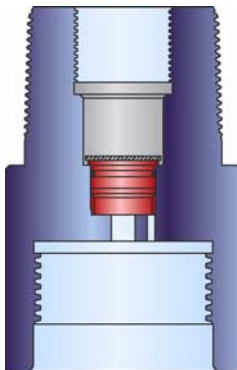


Detonator Body with Initiator Nut

Features and Benefits

Modular System accepts the following Firing Heads:

- Mechanical Impact Firing Head
- Safety Impact Firing Head, Low Pressure
- Safety Impact Firing Head, High Pressure
- Pressure Activated Firing Head, Low Pressure
- Pressure Activated Firing Head, High Pressure
- Pressure Activated Time Delay Firing Head, Low Pressure
- Pressure Activated Time Delay Firing Head, High Pressure



TC-005

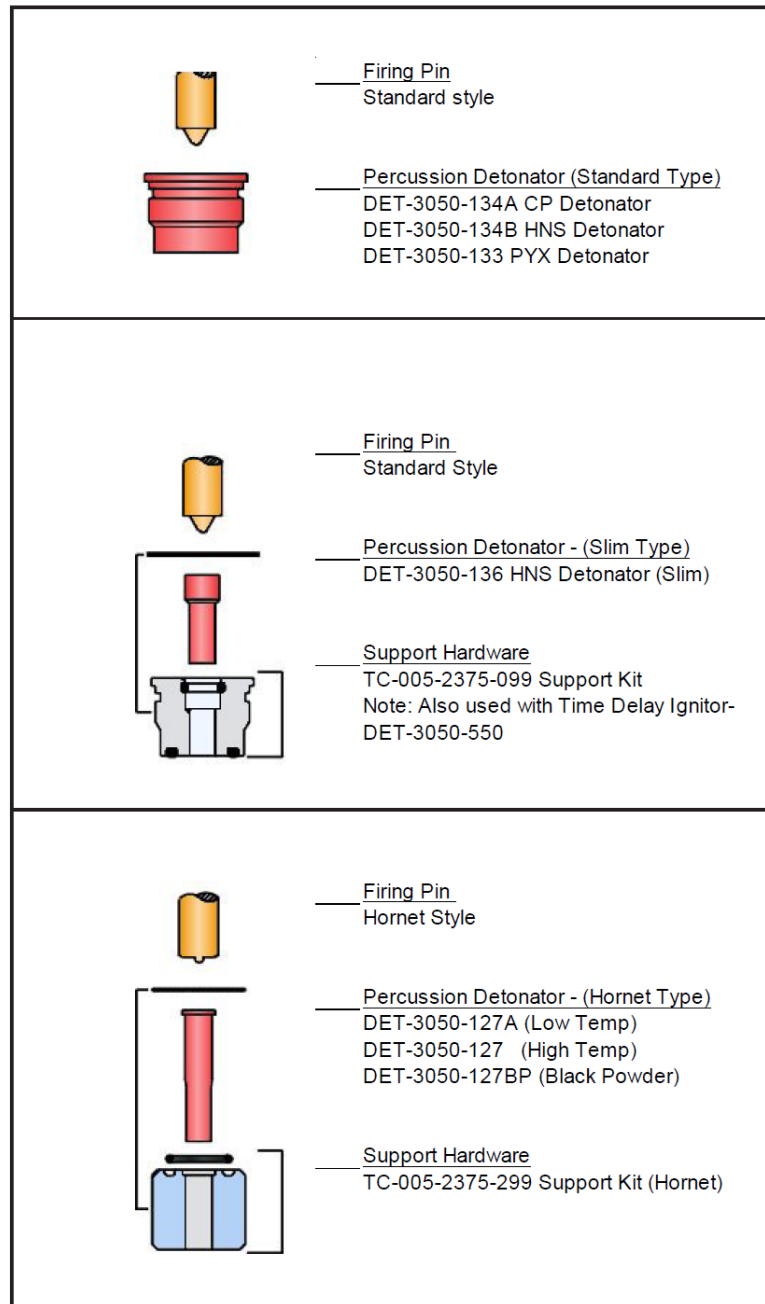
Specifications

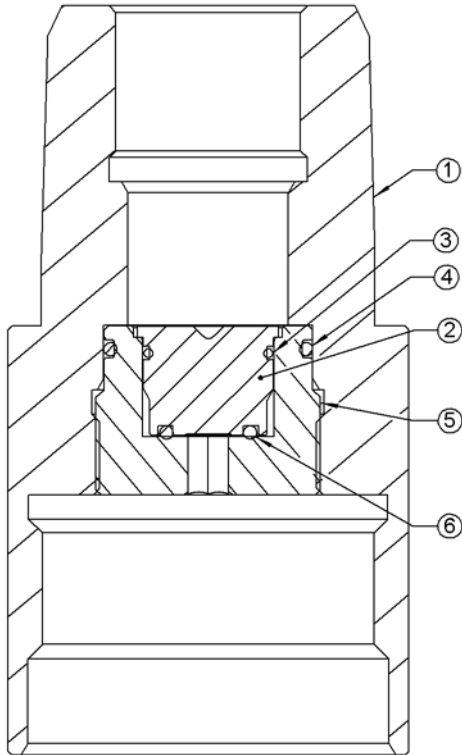
Item w/ Initiator Nut	Detonator Body					
	TC-000-2375-000		TC-000-2875-000		TC-000-3500-000	
Maximum OD	3.130 in.	79.5 mm	3.680 in.	93.5 mm	4.50 in.	114.3 mm
Tensile	129,410 lb.	57,564 daN	215,000 lb.	95,637 daN	215,000 lb.	95,637 daN
Maximum Temp ¹	250°F (121°C)					
Maximum Pressure ²	20,000 psi (137,900 Kpa)					
Top Connection	2-3/8" (60.3 mm) EUE		2-7/8" (73.0 mm) EUE		3-1/2" (88.9 mm) EUE	
Bottom Connection	2.750 - 6 TPI Acme Box		2.750 - 6 TPI Acme Box		2.750 - 6 TPI Acme Box	

¹ The maximum temperature can be increased to 450° (230°C) by substituting the 90 durometer Nitrile O-rings with 90 durometer Viton O-rings. Refer to the Time vs Temperature chart for Explosives to confirm any explosives requirements.

Detonators Support Hardware

Owen designs its TCP Firing Heads around a Standard Type Percussion Detonator, which uses a specific style of firing pin tip for maximum reliability. In certain applications, we engineer other firing head systems to accomplish a particular operation and which uses a percussion detonator which is not of the standard type. In this situation, we engineer the firing pin and supporting hardware to match the detonator and impact mechanism used. Be sure, when planning or setting up your operation, that the detonator of choice matches the firing pin in the impact mechanism to be used.





Item	Part Number	Qty.	Description
	TC-000-2375-000		2-3/8" Detonator Body w/ Initiator Nut
1	TC-000-0001-000	1	2-3/8" Firing Head Detonator body
2	Ref	1	Percussion Detonator
3	OOO-N569-020	1	O-Ring 90 Durometer nitrile
4	OOO-N569-127	1	O-Ring 90 Durometer nitrile
5	TC-011-0002-000	1	Initiator Retaining Nut
6	OOO-N569-113	1	O-Ring 90 Durometer nitrile

Item	Part Number	Qty.	Description
	TC-000-2875-000		2-7/8" Detonator Body w/ Initiator Nut
1	TC-000-0003-000	1	2-7/8" Firing Head Detonator body
2	Ref	1	Percussion Detonator
3	OOO-N569-020	1	O-Ring 90 Durometer nitrile
4	OOO-N569-127	1	O-Ring 90 Durometer nitrile
5	TC-011-0002-000	1	Initiator Retaining Nut
6	OOO-N569-113	1	O-Ring 90 Durometer nitrile

Item	Part Number	Qty.	Description
	TC-000-3500-000		3-1/2" Detonator Body w/ Initiator Nut
1	TC-000-0004-000	1	3-1/2" Firing Head Detonator body
2	Ref	1	Percussion Detonator
3	OOO-N569-020	1	O-Ring 90 Durometer nitrile
4	OOO-N569-127	1	O-Ring 90 Durometer nitrile
5	TC-011-0002-000	1	Initiator Retaining Nut
6	OOO-N569-113	1	O-Ring 90 Durometer nitrile

Item	Part Number	Qty.	Description
	TC-000-2375-099		Re-Dress kit for above Det. Bodies
3	OOO-N569-020	1	O-Ring 90 Durometer nitrile
4	OOO-N569-127	1	O-Ring 90 Durometer nitrile
6	OOO-N569-113	1	O-Ring 90 Durometer nitrile