



Pressure Release (KOBE) Sub

TC-110

MAN-TC-110

Owen Oil Tools

5405 39139 Hwy 2A
Red Deer County Alberta Canada T4S 2B3
Phone: 1-403-340-1017
Fax: 1-403-340-1415
Toll Free: 1-888-345-1017

Warning: Use of Owen equipment contrary to manufacturer's specifications or operating instructions may result in property damage, serious injury or fatality. If you are not trained in the handling and use of explosive devices, do not attempt to use or assemble any Owen perforating systems or Owen firing devices.

Owen Oil Tools pre-assembles its tools as per the field operating manual. It is the responsibility of the purchaser to insure that this tool is assembled as required, prior to use.

This technology is regulated by and, if exported, was exported from the United States in accordance with the Export Administration Regulations (EAR). Diversion contrary to US Department of Commerce. Consult the BIS, the EAR and/or Owen Compliance Services, Inc. to determine licensing requirements for export or re-export of this technology.

This document contains Confidential information of Owen Oil Tools LP (Owen) and is furnished to the customer for information purposes only. This document must not be reproduced in any way whatsoever, in part or in whole, or distributed outside the customer organization, without first obtaining the express written authorization of Owen. This document is the property of Owen and returnable upon request by Owen.

©2009 Owen Oil Tools



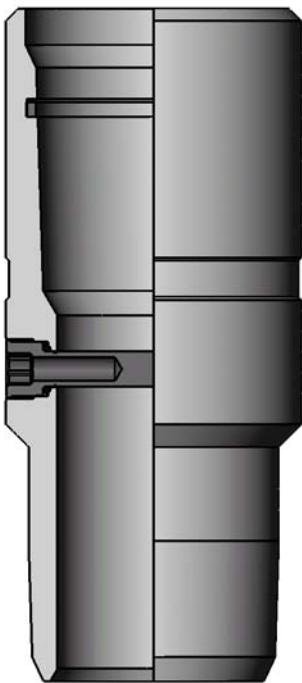
Blank Page



Description

The Pressure Release (KOBE) Sub allows equalization of the tubing conveyed perforating string to the annulus. Communication is achieved by breaking the hollow pin with either the Drop Bar or wireline logging tools.

This tool is most commonly placed below the production packer and above the Differential Sub when using a Mechanical (Percussion) Firing Head. In this application, the production packer may be pressure tested from below by breaking the Hollow Frangible Pin of the KOBE Sub with wireline logging tools. The packer may be tested by applying hydraulic pressure above the packer in the tubing-casing annulus. After retrieval of the logging tools, the Drop Bar may be released from surface to fire the guns.

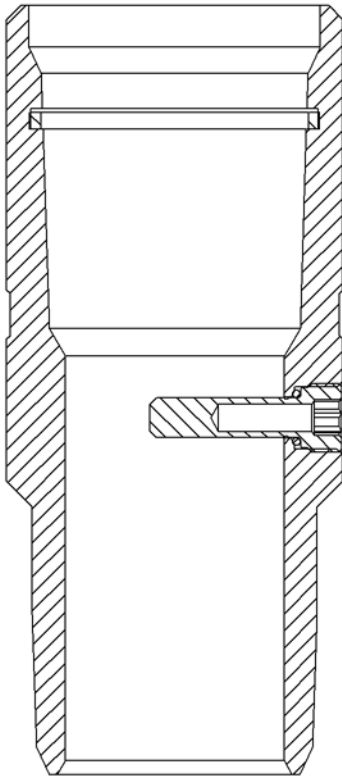


Features and Benefits

- Breaking of the Hollow Frangible Pin is done mechanically, reducing the number of hydraulic operations required on a TCP job
- Simple design ensures reliability and high pressure ratings

	2-3/8 in (60.3 mm)		2-7/8 in (73.0 mm)		3-1/2 in (88.9 mm)	
Maximum OD	3.062 in	77.8 mm	3.688 in	93.6 mm	4.50 in	114.3 mm
Minimum ID	1.995 in	50.6 mm	2.441 in	62.0 mm	2.992 in	76 mm
Overall Length	8.0 in	203 mm	8.0 in	203 mm	8.0 in	203 mm
Maximum Temperature ¹	250°F (121°C)					
Maximum Pressure	10,000 psi	68.9 MPa	10,000 psi	68.9 MPa	10,000 psi	68.9 MPa
Connection	2-3/8 in (60.3 mm) EU		2-7/8 in (73.0 mm) EU		3-1/2 in (88.9 mm)	
Product Number	TC-110-2375-080		TC-110-2875-080		TC-110-3500-080	
Redress Kit	TC-110-2375-999		TC-110-2875-999		TC-110-3500-999	

¹The maximum temperature can be increased to 450° (230°C) by substituting the 90 durometer Nitrile O-rings with 90 durometer Viton O-rings. Refer to the Time vs Temperature chart for Explosives to confirm any explosives requirements



Item	Part Number	Qty	Description
--	TC-110-2375-080	--	KOBÉ Sub 2-3/8" EU (L-80)
1	TC-110-0000-080	1	KOBÉ Sub Body 2-3/8" EU, L-80
2	TC-110-0005-000	1	Equalizing Plug (O-ring)
3	OOO-N569-012	1	O-Ring 90 Durometer Nitrile
4	MI-305-2375-000	1	2-3/8" EU Thread API Seal Ring

Item	Part Number	Qty	Description
--	TC-110-2375-110	--	KOBÉ Sub 2-3/8" EU (P-110)
1	TC-110-0000-110	1	KOBÉ Sub Body 2-3/8" EU, P-110
2	TC-110-0005-000	1	Equalizing Plug (O-ring)
3	OOO-N569-012	1	O-Ring 90 Durometer Nitrile
4	MI-305-2375-000	1	2-3/8" EU Thread API Seal Ring

Item	Part Number	Qty	Description
--	TC-110-2875-080	--	KOBÉ Sub 2-7/8" EU (L-80)
1	TC-110-0002-080	1	KOBÉ Sub Body 2-7/8" EU, L-80
2	TC-110-0005-000	1	Equalizing Plug (O-ring)
3	OOO-N569-012	1	O-Ring 90 Durometer Nitrile
4	MI-305-2875-000	1	2-7/8" EU Thread API Seal Ring

Item	Part Number	Qty	Description
--	TC-110-2875-110	--	KOBÉ Sub 2-7/8" EU (P-110)
1	TC-110-0002-110	1	KOBÉ Sub Body 2-7/8" EU, P-110
2	TC-110-0005-000	1	Equalizing Plug (O-ring)
3	OOO-N569-012	1	O-Ring 90 Durometer Nitrile
4	MI-305-2875-000	1	2-7/8" EU Thread API Seal Ring

Item	Part Number	Qty	Description
--	TC-110-3500-080	--	KOBÉ Sub 3-1/2" EU, L-80
1	TC-110-0004-080	1	KOBÉ Sub Body 3-1/2" EU, L-80
2	TC-110-0005-000	2	Equalizing Plug (O-ring)
3	OOO-N569-012	2	O-Ring 90 Durometer Nitrile
4	MI-305-3500-000	1	Seal Ring 3-1/2" EU

Item	Part Number	Qty	Description
--	TC-110-3500-110	--	KOBÉ Sub 3-1/2" EU (P-110)
1	TC-110-0004-110	1	KOBÉ Sub Body 3-1/2" EU, P-110
2	TC-110-0005-000	2	Equalizing Plug (O-ring)
3	OOO-N569-012	2	O-Ring 90 Durometer Nitrile
4	MI-305-3500-000	1	Seal Ring 3-1/2" EU

Item	Part Number	Qty	Description
--	TC-110-2375-099	--	Redress Kit KOBÉ Sub 2-3/8" EU
2	TC-110-0005-000	1	Equalizing Plug (O-ring)
3	OOO-N569-012	1	O-Ring 90 Durometer Nitrile
4	MI-305-2375-000	1	2 3/8" EU Thread Seal Ring

Item	Part Number	Qty	Description
--	TC-110-2875-099	--	Redress Kit KOBÉ Sub 2-7/8" EU
2	TC-110-0005-000	1	Equalizing Plug (O-ring)
3	OOO-N569-012	1	O-Ring 90 Durometer Nitrile
4	MI-305-2875-000	1	2 7/8" EU Thread Seal Ring

Item	Part Number	Qty	Description
--	TC-110-3500-099	--	Redress Kit KOBÉ Sub 3 1/2" EU
2	TC-110-0005-000	1	Equalizing Plug (O-ring)
3	OOO-N569-012	1	O-Ring 90 Durometer Nitrile
4	MI-305-3500-000	1	3 1/2" EU Thread Seal Ring