

Handling Lift Sub, Eyebolt Style

TC-150

MAN-TC-150 (R04)

OWEN OIL TOOLS

5405 39139 Hwy 2A
Red Deer County Alberta Canada T4S 2B3
Phone: 1.403.340.1017
Fax: 1.403.340.1415
Toll Free: 1.888.345.1017

12001 Cr 1000
Godley, Texas, 76044, USA
Phone: +1 (817) 551-0540
Fax: +1 (817) 551-1674
www.corelab.com/owen

Warning: use of owen equipment contrary to manufacturer's specifications or operating instructions may result in property damage, serious injury or fatality. If you are not trained in the handling and use of explosive devices, do not attempt to use or assemble any owen perforating systems or owen firing devices.

This technology is regulated by and, if exported, was exported from the united states in accordance with the export administration regulations (EAR). Diversion contrary to U.S. Law is prohibited. Export and/or re-export of this technology may require issuance of a license by the bureau of industry and security (BIS), U.S. Department of Commerce. Consult the BIS, the EAR, and/or Owen Compliance Services, Inc. To determine licensing requirements for export or re-export of this technology.

This document contains confidential information of Owen Oil Tools LP (Owen) and is furnished to the customer for information purposes only. This document must not be reproduced in any way whatsoever, in part or in whole, or distributed outside the customer organization, without first obtaining the express written authorization of owen. This document is the property of owen and returnable upon request of Owen.

DESCRIPTION:

The Handling Sub is used to lift or lay down guns on the catwalk or loading area, with the use of a winch line and rig hoisting equipment. The Handling Sub eye allows for hoisting/dragging the guns. The pup joint allows handling of the guns with the elevator.

An alternate handling sub is also available. Reference the catalog page documentation for TC-155 for details.

ADVANTAGES:

- Adapts to all carriers, Top Subs or Tandem Subs
- Compatible with 2-3/8" (60.3 mm) EU, 2-7/8" (73.0 mm) EU, 3-1/2" (88.9 mm) EU tubing, not requiring change of elevators while running production tubing
- Handling stem is a standard 2 foot pup joint.
- Can be used repeatedly to lift perforating guns into place
- The Handling Cap, Pup Joint and Pickup Sub, are easily threaded together then screwed onto the perforating gun
- All assemblies are rated according to the "Eye-Bolt" rating

SPECIFICATIONS:

2-3/8 IN EU (60.3MM)	
MAXIMUM OD	3.063 in (77.80 mm)
TUBING WEIGHT	4.7 lb/ft (6.99 kg/m)

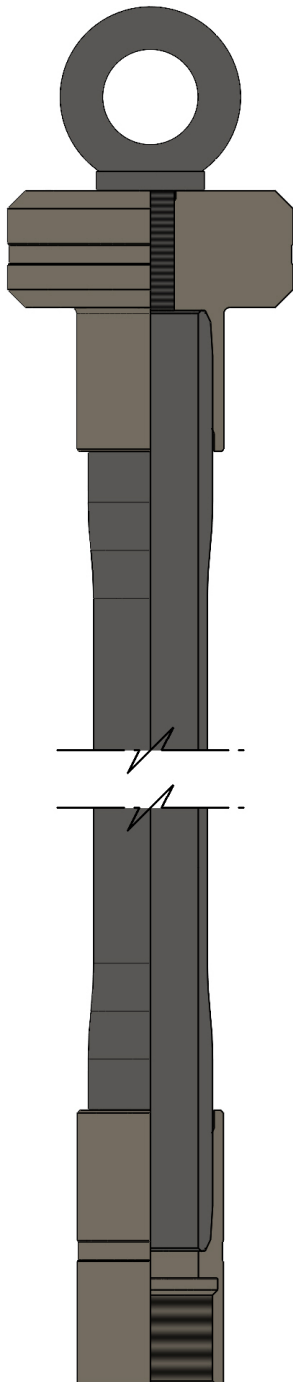
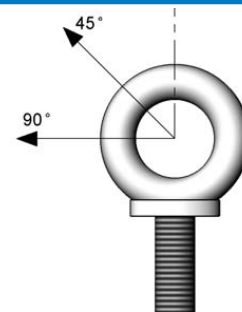
2-7/8 IN EU (73.0 MM)	
MAXIMUM OD	3.668 in (93.17 mm)
TUBING WEIGHT	6.5 lb/ft (9.67 kg/m)

3-1/2 IN EU (88.9 MM)	
MAXIMUM OD	4.500 in (114.3 mm)
TUBING WEIGHT	9.3 lb/ft (13.84 kg/m)

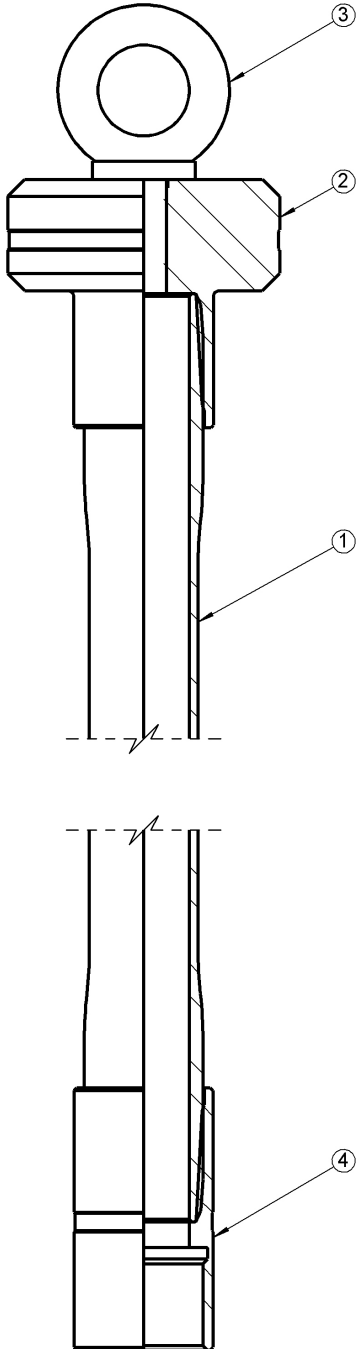
NOTES: ALL ASSEMBLIES

Working Load Limit: 13,300 lbf
Proof Load: 26,600 lbf

Capacity limit is reduced when loading at an angle
45° = 30% => W.L.L. = 3990 lbs.
90° = 25% => W.L.L. = 3325 lbs.



BILL OF MATERIALS: 2.375" Assemblies Include



ITEM	PART NUMBER	QTY	DESCRIPTION
1	CC-101-2347-002	1	Pup Joint 2-3/8"EU 4.70lb/ft x 2 ft. L80
2	TC-150-0000-000	1	Handling Cap 2-3/8" EU with Eye Bolt
3	PF-051-100C-250	-	Eye Bolt, Crosby 1" 8 TPI UNC x 2-1/2 LG. #9900253, Included w/ Item 2

ITEM	PART NUMBER	QTY	DESCRIPTION
--	TC-150-0023-000	--	Top Sub (GO Thread) x 2-3/8" EU
4	TC-150-0003-000	1	Crossover, 2-3/8" EU x Top Sub (GO)

ITEM	PART NUMBER	QTY	DESCRIPTION
--	TC-150-2723-100	--	2-3/4" Gun (Box) x 2-3/8" EU
4	TC-150-0014-000	1	Crossover, 2-3/8" EU x 2-3/4" Gun (Box)

ITEM	PART NUMBER	QTY	DESCRIPTION
--	TC-150-2823-100	--	2-7/8" Gun (Box) x 2-3/8" EU
4	TC-150-0026-000	1	Crossover, 2-3/8" EU x 2-7/8" Gun (Box)

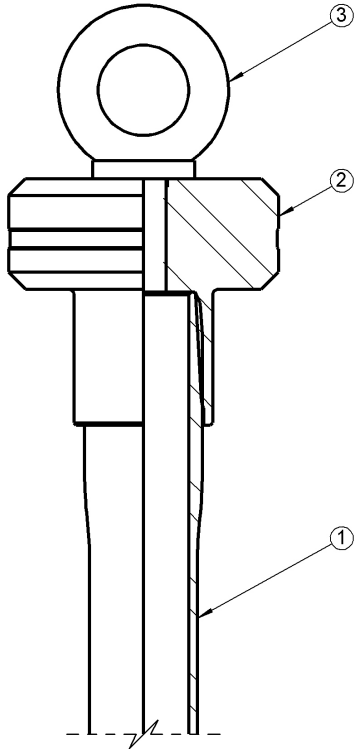
ITEM	PART NUMBER	QTY	DESCRIPTION
--	TC-150-3323-100	--	3-3/8" Gun (Box) x 2-3/8" EU
4	TC-150-0015-000	1	Crossover, 2-3/8" EU x 3-3/8" Gun (Box)

ITEM	PART NUMBER	QTY	DESCRIPTION
--	TC-150-4023-100	--	4" Gun (Box) x 2-3/8" EU
4	TC-150-0016-000	1	Crossover, 2-3/8" EU x 4" Gun (Box)

ITEM	PART NUMBER	QTY	DESCRIPTION
--	TC-150-4523-100	--	4-1/2" Gun (Box) x 2-3/8" EU
4	TC-150-0018-000	1	Crossover, 2-3/8" EU x 4-1/2" Gun (Box)

ITEM	PART NUMBER	QTY	DESCRIPTION
--	TC-150-5023-100	--	5" Gun (Box) x 2-3/8" EU
4	TC-150-0020-000	1	Crossover, 2-3/8" EU x 5" Gun (Box)

BILL OF MATERIALS: 2.875" Assemblies Include



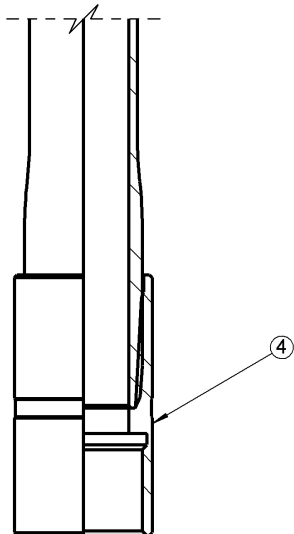
ITEM	PART NUMBER	QTY	DESCRIPTION
1	CC-101-2865-002	1	Pup Joint 2-7/8" EU 6.50lb/ft x 2 ft. L80
2	TC-150-0001-000	1	Handling Cap 2-7/8" EU with Eye Bolt
3	PF-051-100C-250	-	Eye Bolt, Crosby 1" 8 TPI UNC x 2-1/2 LG. #9900253, Included w/ Item 2

ITEM	PART NUMBER	QTY	DESCRIPTION
--	TC-150-0027-000	--	Top Sub (GO Thread) x 2-7/8" EU
4	TC-150-0004-000	1	Crossover, 2-7/8" EU x Top Sub (GO)

ITEM	PART NUMBER	QTY	DESCRIPTION
--	TC-150-4027-100	--	4" Gun (Box) x 2-7/8" EU
4	TC-150-0017-000	1	Crossover, 2-7/8" EU x 4" Gun (Box)

ITEM	PART NUMBER	QTY	DESCRIPTION
--	TC-150-4527-100	--	4-1/2" Gun (Box) x 2-7/8" EU
4	TC-150-0019-000	1	Crossover, 2-7/8" EU x 4-1/2" Gun (Box)

ITEM	PART NUMBER	QTY	DESCRIPTION
--	TC-150-5027-100	--	5" Gun (Box) x 2-7/8" EU
4	TC-150-0021-000	1	Crossover, 2-7/8" EU x 5" Gun (Box)



BILL OF MATERIALS: 3.500" Assemblies Include

ITEM	PART NUMBER	QTY	DESCRIPTION
1	CC-101-3593-002	1	Pup Joint 3-1/2" EU 9.30lb/ft x 2 ft. L80
2	TC-150-0002-000	1	Handling Cap 3-1/2" EU with Eye Bolt
3	PF-051-100C-250	-	Eye Bolt, Crosby 1" 8 TPI UNC x 2-1/2 LG. #9900253, Included w/ Item 2

ITEM	PART NUMBER	QTY	DESCRIPTION
--	TC-150-0035-000	--	Top Sub (GO Thread) x 3-1/2" EU
4	TC-150-0005-000	1	Crossover, 3-1/2" EU x Top Sub (GO)

ITEM	PART NUMBER	QTY	DESCRIPTION
--	TC-150-5035-100	--	5" Gun (Box) x 3-1/2" EU
4	TC-150-0022-000	1	Crossover, 3-1/2" EU x 5" Gun (Box)