

TECHNICAL INFORMATION:

BPX-2875-0065-1002, 2.875 INCH 6.5 PPF.



CASING O.D. (in)	2.875
CASING WT. (lb/ft)	6.5
CASING I.D. (in)	2.441
MAX. RUNNING O.D. (in)	2.270
DIFFERENTIAL PRESSURE RATING (PSI)	6500
TEMPERATURE (F)	350

QTY.	DESCRIPTION	PART NUMBER	MATERIAL
1	BPX-SPAN SYSTEM WITH 1-1/4 RD NU CROSS OVER	BPX-2875-0065-1002	NOTED
1	PIN ELEMENT	PAT-2875-040	4140
1	TOP SWAGE	PAT-2875-044	4130 / 4140 / 4142
1	PROFILE SUB	BPX-2875-0065-1010	4140 / 4142
1	CROSSOVER	BPX-2875-0065-1030	4140 / 4142
2	O-RING	OOO-V569-135	VITON
2	O-RING	OOO-V569-136	VITON
1	30K SHEAR RING	PAT-2875-048A	STL-12L4-150

MINIMUM REQUIRED EQUIPMENT REQUIRED.

PRODUCT OFFERINGS:

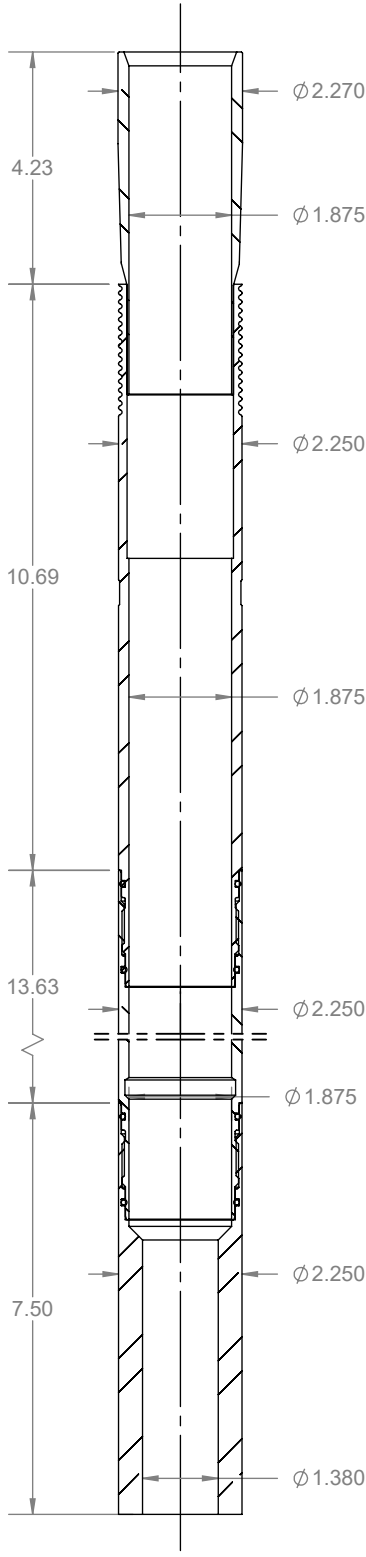
Owen's BPX-SPAN® bridge plug uses the patented and proven X-SPAN® technology to create a mechanical seal that anchors itself to the casing wall when set. The BPX-SPAN is a great solution for wells with hostile environments that may cause elastomers to swell on conventional bridge plugs while being deployed in the wellbore. The BPX consists of a profile sub and a bull plug and utilizes standard Owen setting equipment when being deployed and set into the wellbore.

BENEFITS/CAPABILITIES:

- Proven seal technology
- Sets in most grades of casing up to P-110
- Short design for quick removal
- No moving parts, slips, shear screws, set screws that can result in failure during run-in and setting
- Can be converted to knock-out plug with Ceramic disc sub
- For temporary or permanent service
- Can be manufactured in a variety of materials

TECHNICAL INFORMATION:

BPX-2875-0065-1002, 2.875 INCH 6.5 PPF.



CASING O.D. (in)	2.875
CASING WT. (lb/ft)	6.5
CASING I.D. (in)	2.441
MAX. RUNNING O.D. (in)	2.270
DIFFERENTIAL PRESSURE RATING (PSI)	6500
TEMPERATURE (F)	350

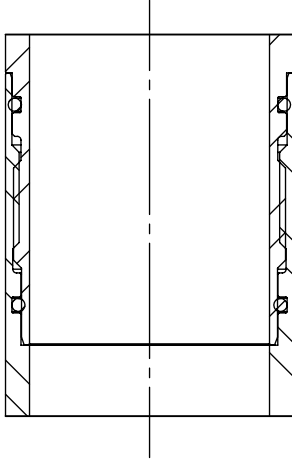
QTY.	DESCRIPTION	PART NUMBER	MATERIAL
1	PIN ELEMENT	PAT-2875-040	4140
1	TOP SWAGE	PAT-2875-044	4130 / 4140 / 4142
1	PROFILE SUB	BPX-2875-0065-1010	4140 / 4142
1	CROSSOVER	BPX-2875-0065-1030	4140 / 4142
2	O-RING	OOO-V569-135	VITON
2	O-RING	OOO-V569-136	VITON
1	30K SHEAR RING	PAT-2875-048A	STL-12L4-150
1	SLEEVE NUT	SET-2125-120	4130 / 4140 / 4142
1	SLEEVE LOCK NUT	SET-2125-121	4130 / 4140 / 4142
1	SETTING SLEEVE	SET-2125-122	4130 / 4140 / 4142
1	QUICK CHANGE ROD	SET-2125-130	4340
1	QUICK CHANGE NUT	SET-2125-131	4340
1	TOP ADAPTER ROD	SET-2125-132	4130 / 4140 / 4142
1	ROD TANDEM CONNECTOR	SET-2125-133	4130 / 4140 / 4142
1	BOTTOM ROD	SET-2125-136	4130 / 4140 / 4142
1	COLLET	SET-2125-137	4130 / 4140 / 4142
1	COLLET SUPPORT	SET-2125-140A	4130 / 4140 / 4142

MINIMUM EQUIPMENT REQUIRED



EXTENSION SPECIFICATIONS:

BPX-2875-0065-1002, 2.875 INCH 6.5 PPF.



PART NUMBER	WEIGHT (LBS.)	MATERIAL
PAT-2875-040	3.6	1018 / 1026

TENSILE RATING	30000 LBF.
----------------	------------

SYSTEM WEIGHTS

	WEIGHT (LBS.)
BPX-2875-0065-1002	31.9

SETTING TOOL OPTIONS:

HYDRAULIC			WEIGHT (LBS)
2-1/8 INCH HYDRAULIC	SET-2125-210		110
	SCREEN SUB	OTO-798-231A	
	CIRCULATION SUB	SET-2125-200	

PYROTECHNIC			WEIGHT (LBS)
2-1/8 INCH MULTISTAGE SETTING TOOL	SET-2125-100		56
	POWER CHARGE	JEC-5334-104	
		JEC-0212-044	
	IGNITER	DET-5306-074	
		DET-5306-008	