

TECHNICAL INFORMATION:

BPX-2875-0065-3002, 2.875 INCH 6.5 PPF



CASING O.D. (in)	2.875
CASING WT. (lb/ft)	6.5
CASING I.D. (in)	2.441
RUNNING O.D. (in)	2.250
DIFFERENTIAL PRESSURE RATING (PSI)	6500
TEMPERATURE (F)	350

QTY.	DESCRIPTION	PART NUMBER	MATERIAL
1	BPX-SPAN SYSTEM	BPX-2875-0065-3002	NOTED
1	TOP SWAGE	PAT-2875-C44	SUPER / HYPER CHROME
1	PIN ELEMENT	PAT-2875-C40	13 Cr
1	PROFILE SUB	STX-2875-0065-3450	SUPER / HYPER CHROME
1	CROSSOVER	BPX-2875-0065-3030	13 Cr.
1	MAGNUM DUAL DISK SUB	01.MDDA.114.1NBM	CERAMIC
2	O-RING	OOO-V569-135	VITON
2	O-RING	OOO-V569-136	VITON
1	30K SHEAR RING	PAT-2875-048A	STL-12L4-150

PRODUCT OFFERINGS:

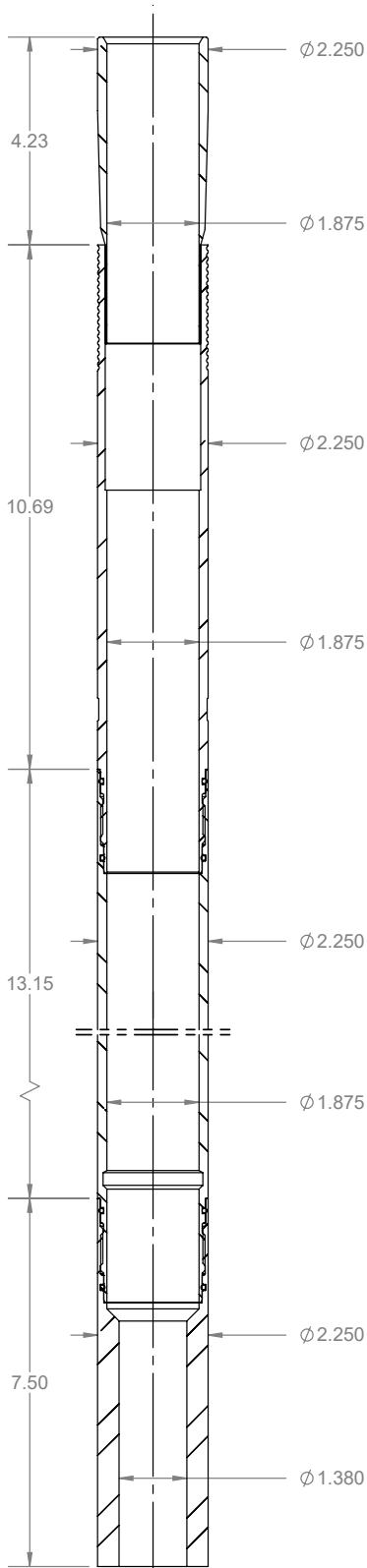
Owen's BPX-SPAN® bridge plug uses the patented and proven X-SPAN® technology to create a mechanical seal that anchors itself to the casing wall when set. The BPX-SPAN is a great solution for wells with hostile environments that may cause elastomers to swell on conventional bridge plugs while being deployed in the wellbore. The BPX consists of a profile sub and a bull plug and utilizes standard Owen setting equipment when being deployed and set into the wellbore.

BENEFITS/CAPABILITIES:

- Proven seal technology
- Sets in most grades of casing up to P-110
- Short design for quick removal
- No moving parts, slips, shear screws, set screws that can result in failure during run-in and setting
- Can be converted to knock-out plug with Ceramic disc sub
- For temporary or permanent service
- Can be manufactured in a variety of materials

TECHNICAL
INFORMATION:

BPX-2875-0065-3002, 2.875 INCH 6.5 PPF



CASING O.D. (in)	2.875
CASING WT. (lb/ft)	6.5
CASING I.D. (in)	2.441
RUNNING O.D. (in)	2.250
DIFFERENTIAL PRESSURE RATING (PSI)	6500
TEMPERATURE (F)	350

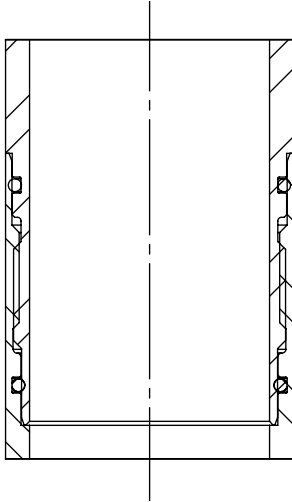
QTY.	DESCRIPTION	PART NUMBER	MATERIAL
1	PIN ELEMENT	PAT-2875-C40	13 Cr
1	TOP SWAGE	PAT-2875-C44	SUPER / HYPER CHROME
1	PROFILE SUB	STX-2875-0065-3450	SUPER / HYPER CHROME
1	CROSSOVER	BPX-2875-0065-3030	13 Cr.
1	MAGNUM DUAL DISK SUB	01.MDDA.114.1NBM	CERAMIC
2	O-RING	OOO-V569-135	VITON
2	O-RING	OOO-V569-136	VITON
1	30K SHEAR RING	PAT-2875-048A	STL-12L4-150
1	SLEEVE NUT	SET-2125-120	4130 / 4140 / 4142
1	SLEEVE LOCK NUT	SET-2125-121	4130 / 4140 / 4142
1	SETTING SLEEVE	SET-2125-122	4130 / 4140 / 4142
1	QUICK CHANGE ROD	SET-2125-130	4340
1	QUICK CHANGE NUT	SET-2125-131	4340
1	TOP ADAPTER ROD	SET-2125-132	4130 / 4140 / 4142
1	ROD TANDEM CONNECTOR	SET-2125-133	4130 / 4140 / 4142
1	BOTTOM ROD	SET-2125-136	4130 / 4140 / 4142
1	COLLET	SET-2125-137	4130 / 4140 / 4142
1	COLLET SUPPORT	SET-2125-140A	4130 / 4140 / 4142

MAGNUM DUAL DISK SUB NOT SHOWN IN GRAPHIC



EXTENSION SPECIFICATIONS:

BPX-2875-0065-3002, 2.875 INCH 6.5 PPF



PART NUMBER	WEIGHT	MATERIAL
PAT-2875-C40	3.6	13 Cr
PATCH TENSILE RATING	30,000 LBF	

SYSTEM WEIGHTS

	WEIGHT (LBS.)
BPX-2875-0065-3002	34.5

SETTING TOOL OPTIONS:

HYDRAULIC		WEIGHT (LBS)
SET-2125-100	2-1/8 HYDRAULIC	150
	SCREEN SUB	OT0-798-231A
	CIRCULATION SUB	SET-2125-200

PYROTECHNIC		WEIGHT (LBS)
SET-2125-101	2-1/8 MSST	90
	POWER CHARGE	JEC-5334-104
		JEC-0212-044
	IGNITER	DET-5306-074
		DET-5306-008