

TECHNICAL INFORMATION:

BPX-3500-0093-2001, 3.5 INCH 9.3 PPF



CASING O.D. (in)	3.5
CASING WT. (lb/ft)	9.3
CASING I.D. (in)	2.992
PLUG MAX. RUNNING O.D. (in)	2.775
DIFFERENTIAL PRESSURE RATING (psi)	5000
TEMPERATURE RATING (F)	350

QTY.	DESCRIPTION	PART NUMBER	MATERIAL
1	BPX-SPAN SYSTEM	BPX-3500-0093-2001	NOTED
1	PIN ELEMENT	BPX-3500-0093-2210	L80
1	TOP SWAGE	BPX-3500-0093-2110	4140
1	PROFILE SUB	BPX-3500-0093-2010	4140 / 4142
1	CAP	BPX-3500-0093-2020	4140 / 4142
1	42 - 43K SHEAR RING	PAT-3500-058	1026
2	O-RING	OOO-V569-143	VITON
2	O-RING	OOO-V569-144	VITON

PRODUCT OFFERINGS:

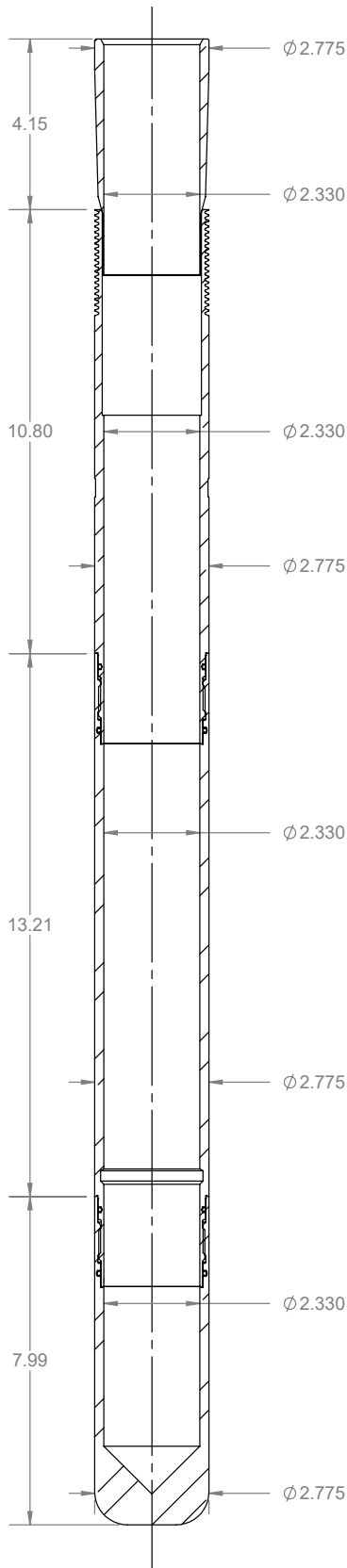
Owen's BPX-SPAN® bridge plug uses the patented and proven X-SPAN® technology to create a mechanical seal that anchors itself to the casing wall when set. The BPX-SPAN is a great solution for wells with hostile environments that may cause elastomers to swell on conventional bridge plugs while being deployed in the wellbore. The BPX consists of a profile sub and a bull plug and utilizes standard Owen setting equipment when being deployed and set into the wellbore.

BENEFITS/CAPABILITIES:

- Proven seal technology
- Sets in most grades of casing up to P-110
- Short design for quick removal
- No moving parts, slips, shear screws, set screws that can result in failure during run-in and setting
- Can be converted to knock-out plug with Ceramic disc sub
- For temporary or permanent service
- Can be manufactured in a variety of materials

TECHNICAL INFORMATION:

BPX-3500-0093-2001, 3.5 INCH 9.3 PPF



CASING O.D. (in)	3.5
CASING WT. (lb/ft)	9.3
CASING I.D. (in)	2.992
PLUG MAX. RUNNING O.D. (in)	2.775
DIFFERENTIAL PRESSURE RATING (psi)	5000
TEMPERATURE RATING (F)	350

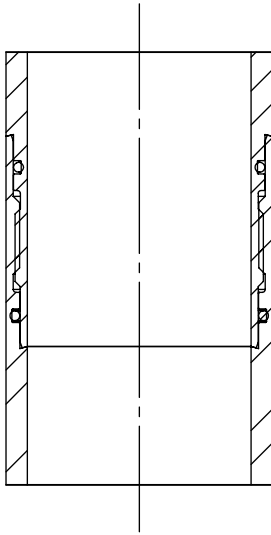
QTY.	DESCRIPTION	PART NUMBER	MATERIAL
1	PIN ELEMENT	BPX-3500-0093-2210	L80
1	TOP SWAGE	BPX-3500-0093-2110	4140
1	PROFILE SUB	BPX-3500-0093-2010	4140 / 4142
1	CAP	BPX-3500-0093-2020	4140 / 4142
1	42 - 43K SHEAR RING	PAT-3500-058	1026
2	O-RING	OOO-V569-143	VITON
2	O-RING	OOO-V569-144	VITON
1	SLEEVE NUT	SET-2687-130	4140 / 4142
1	QUICK CHANGE NUT	SET-2687-131	4130 / 4140 / 4142
1	SLEEVE LOCK NUT	SET-2125-121	4130 / 4140 / 4142
1	SETTING SLEEVE	SET-2125-160	4140
1	QUICK CHANGE ROD	SET-2125-130	4340
1	QUICK CHANGE NUT	SET-2125-131	4340
1	TOP ADAPTER ROD	SET-2125-132	4130 / 4140 / 4142
1	ROD TANDEM CONNECTOR	SET-2125-133	4130 / 4140 / 4142
1	BOTTOM ROD	SET-2125-136	4130 / 4140 / 4142
1	RELEASE RING ADAPTER	SET-2125-145	4130 / 4140 / 4142
1	COLLET	SET-2125-143	4130 / 4140 / 4142
1	COLLET SUPPORT	SET-2125-155A	4140 / 4130

© 2018 Owen Oil Tools All Rights Reserved



EXTENSION SPECIFICATIONS:

BPX-3500-0093-2001, 3.5 INCH 9.3 PPF



PART NUMBER	WEIGHT (LBS.)	MATERIAL
BPX-3500-0093-2210	5.2	L80

TENSILE RATING	38,000 LBF
----------------	------------

SYSTEM WEIGHTS

	WEIGHT (LBS.)
BPX-3500-0093-2001	48.0

SETTING TOOL OPTIONS:

HYDRAULIC		WEIGHT (LBS)
SET-2687-200	2-11/16 HYDRAULIC	150
	SCREEN SUB	OTO-798-288A
	CIRCULATION SUB	SET-2875-010
	DUMP SUB	SET-2125-200

PYROTECHNIC		WEIGHT (LBS)
SET-2687-101	2-11/16 MSST	90
	POWER CHARGE	JEC-5306-127
		OPC-2750-000-LS
	IGNITER	DET-5306-074
		DET-5306-008