



**TECHNICAL INFORMATION:**

**BPX-3500-0093-2002, 3.5 INCH 9.3 PPF**



CASING O.D. (in)	3.5
CASING WT. (lb/ft)	9.3
CASING I.D. (in)	2.992
PLUG MAX. RUNNING O.D. (in)	2.775
DIFFERENTIAL PRESSURE RATING (psi)	5000
TEMPERATURE RATING (F)	350

QTY.	DESCRIPTION	PART NUMBER	MATERIAL
1	BPX-SPAN SYSTEM	BPX-3500-0093-2002	NOTED
1	PIN ELEMENT	BPX-3500-0093-2210	L80
1	TOP SWAGE	BPX-3500-0093-2110	4140
1	PROFILE SUB	BPX-3500-0093-2010	4140 / 4142
1	CROSSOVER	BPX-3500-0093-2030	4140
1	MAGNUM DUAL DISK SUB	01.MDDA.216.IJBM	CERAMIC
1	42 - 43K SHEAR RING	PAT-3500-058	1026
2	O-RING	OOO-V569-143	VITON
2	O-RING	OOO-V569-144	VITON

**PRODUCT OFFERINGS:**

Owen's BPX-SPAN® bridge plug uses the patented and proven X-SPAN® technology to create a mechanical seal that anchors itself to the casing wall when set. The BPX-SPAN is a great solution for wells with hostile environments that may cause elastomers to swell on conventional bridge plugs while being deployed in the wellbore. The BPX consists of a profile sub and a bull plug and utilizes standard Owen setting equipment when being deployed and set into the wellbore.

**BENEFITS/CAPABILITIES:**

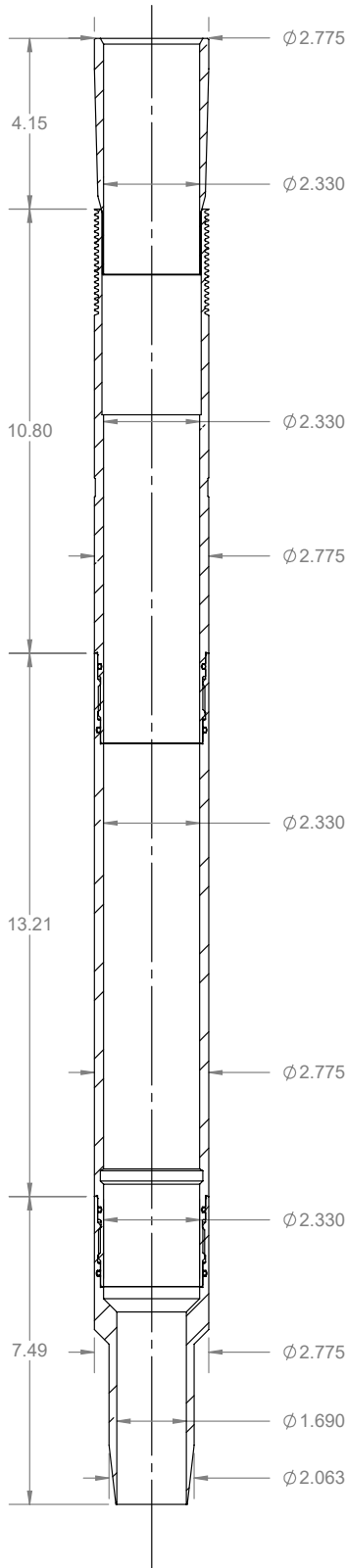
- Proven seal technology
- Sets in most grades of casing up to P-110
- Short design for quick removal
- No moving parts, slips, shear screws, set screws that can result in failure during run-in and setting
- Can be converted to knock-out plug with Ceramic disc sub
- For temporary or permanent service
- Can be manufactured in a variety of materials

© 2018 Owen Oil Tools All Rights Reserved

**TECHNICAL INFORMATION:**

**BPX-3500-0093-2002, 3.5 INCH 9.3 PPF**

CASING O.D. (in)	3.5
CASING WT. (lb/ft)	9.3
CASING I.D. (in)	2.992
PLUG MAX. RUNNING O.D. (in)	2.775
DIFFERENTIAL PRESSURE RATING (psi)	5000
TEMPERATURE RATING (F)	350



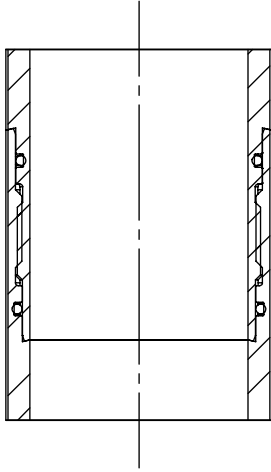
QTY.	DESCRIPTION	PART NUMBER	MATERIAL
1	PIN ELEMENT	BPX-3500-0093-2210	L80
1	TOP SWAGE	BPX-3500-0093-2110	4140
1	PROFILE SUB	BPX-3500-0093-2010	4140 / 4142
1	CROSSOVER	BPX-3500-0093-2030	4140
1	MAGNUM DUAL DISK SUB	01.MDDA.216.IJBM	CERAMIC
1	42 - 43K SHEAR RING	PAT-3500-058	1026
2	O-RING	OOO-V569-143	VITON
2	O-RING	OOO-V569-144	VITON
1	SLEEVE NUT	SET-2687-130	4140 / 4142
1	QUICK CHANGE NUT	SET-2687-131	4130 / 4140 / 4142
1	SLEEVE LOCK NUT	SET-2125-121	4130 / 4140 / 4142
1	SETTING SLEEVE	SET-2125-160	4140
1	QUICK CHANGE ROD	SET-2125-130	4340
1	QUICK CHANGE NUT	SET-2125-131	4340
1	TOP ADAPTER ROD	SET-2125-132	4130 / 4140 / 4142
1	ROD TANDEM CONNECTOR	SET-2125-133	4130 / 4140 / 4142
1	BOTTOM ROD	SET-2125-136	4130 / 4140 / 4142
1	RELEASE RING ADAPTER	SET-2125-145	4130 / 4140 / 4142
1	COLLET	SET-2125-143	4130 / 4140 / 4142
1	COLLET SUPPORT	SET-2125-155A	4140 / 4130

MAGNUM DUAL DISK SUB NOT SHOWN IN GRAPHIC



**EXTENSION SPECIFICATIONS:**

**BPX-3500-0093-2002, 3.5 INCH 9.3 PPF**



PART NUMBER	WEIGHT (LBS.)	MATERIAL
BPX-3500-0093-2210	5.2	L80
TENSILE RATING	38,000 LBF	

**SYSTEM WEIGHTS**

	WEIGHT (LBS.)
BPX-3500-0093-2002	45.6

**SETTING TOOL OPTIONS:**

HYDRAULIC			WEIGHT (LBS)
SET-2687-200	2-11/16 HYDRAULIC		150
	SCREEN SUB	OTO-798-288A	
	CIRCULATION SUB	SET-2875-010	
	DUMP SUB	SET-2125-200	

PYROTECHNIC			WEIGHT (LBS)
SET-2687-101	2-11/16 MSST		90
	POWER CHARGE	JEC-5306-127	
		OPC-2750-000-LS	
	IGNITER	DET-5306-074	
		DET-5306-008	