

TECHNICAL INFORMATION:



CASING O.D. (in)	4.5
CASING WT. (lb/ft)	13.5
CASING I.D. (in)	3.92
RUNNING O.D. (in)	3.658
DIFFERENTIAL PRESSURE RATING (psi)	8000
TEMPERATURE F	350

QTY.	DESCRIPTION	PART NUMBER
2	ELASTOMER	GTX-4500-0135-6000
1	PLUG ELEMENT	BPX-4500-0135-3210
1	TOP SWAGE	GTX-4500-0135-3110
1	SLIP ASSEMBLY	BPX-4500-001
1	LOCKING SLEEVE	BPX-4500-1110
1	SHEAR STUD ADAPTER	BPX-4500-1111
1	72K SHEAR RING	PAT-4500-772
1	SET SCREW 1/4 INCH X 20 TPI, 5/16 INCH	PUR-0501-030
1	SETTING SLEEVE ASSEMBLY	BPX-3250-422
1	SLEEVE NUT	SET-3250-420
1	ADAPTER ROD	BPX-3250-421

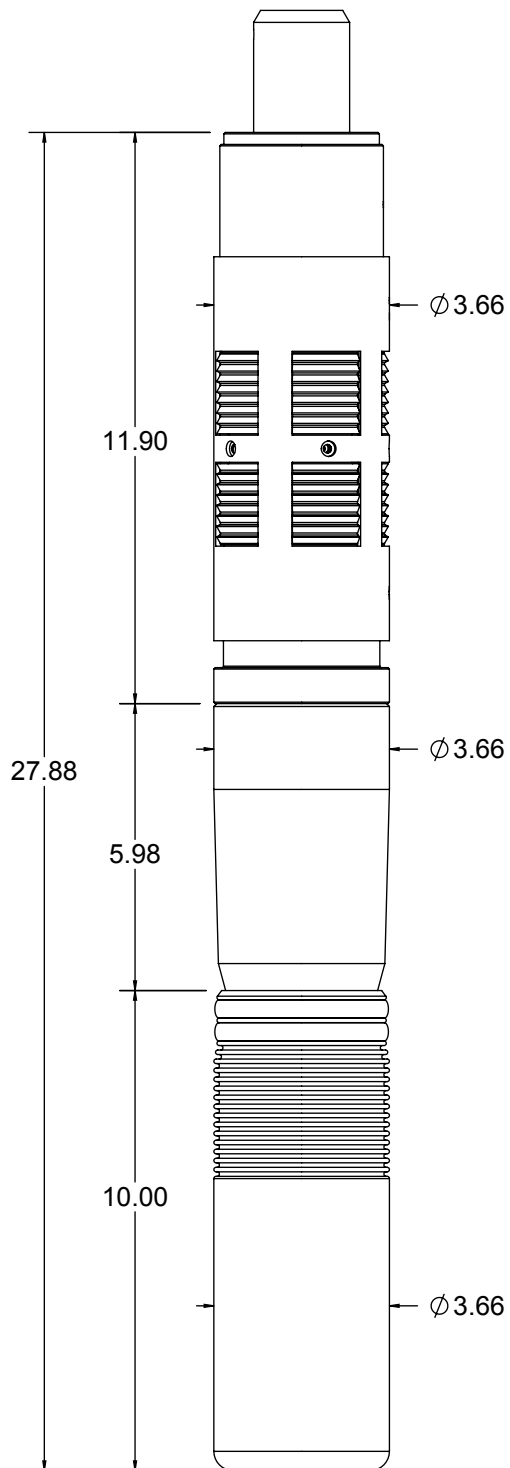
PRODUCT OFFERINGS:

Owen's BPX-SPAN® uses Owen's patented and proven GTX-SPAN® seal and slip cage technology to create a seal and anchor for most types of well tubular. The BPX-SPAN® utilizes a top sealing element profile and swage to provide a robust seal. The BPX-SPAN® system can be configured to meet all types of hostile well conditions and elevated temperatures.

BENEFITS/CAPABILITIES:

- Proven seal technology
- Sets in any grade casing, including P-110
- Can be converted to knock-out plug with Ceramic disc sub
- For permanent service
- Rated for >550°F when using FKM elastomers
- Tailpipe assembly with Profile Subs
- Velocity string
- Can be converted to a sealing hanger system

TECHNICAL INFORMATION:



CASING O.D. (in)	4.5
CASING WT. (lb/ft)	13.5
CASING I.D. (in)	3.92
RUNNING O.D. (in)	3.658
DIFFERENTIAL PRESSURE RATING (psi)	8000
TEMPERATURE F	350

QTY.	DESCRIPTION	PART NUMBER	Material
2	ELASTOMER	GTX-4500-0135-6000	HSN
1	PLUG ELEMENT	BPX-4500-0135-3210	13 Cr
1	TOP SWAGE	GTX-4500-0135-3110	SUPER/HYPER CHROME
1	SLIP ASSEMBLY	BPX-4500-001	SEE TABLE
1	TOP CONE	BPX-4500-003	13 Cr
1	BOTTOM CONE	BPX-4500-002	13 Cr
1	CAGE	BPX-4500-004	13 Cr
5	SLIP SEGMENTS	BPX-4500-005	8620
5	SPRING, COMPRESSION, .030-IN. OD X .5-IN LG X .026 WIRE	PUR-0500-600	17-7 PH STAINLESS
1	LOCK RING	BPX-4500-006	4140
1	SHEAR PIN	SET-2125-020	FREE MACH. BRASS (YEL.)
2	ROLL PIN 1/8" X 3/8"	PUR-0506-023	ALLOY
1	LOCKING SLEEVE	BPX-4500-1110	13 Cr
1	SHEAR STUD ADAPTER	BPX-4500-1111	4140,4130,4142
1	72K SHEAR RING	PAT-4500-772	4140 / 4142
1	SET SCREW 1/4 INCH X 20 TPI, 5/16 INCH	PUR-0501-030	ALLOY
1	SETTING SLEEVE ASSEMBLY	BPX-3250-422	4140/4142/4130
1	SLEEVE NUT	SET-3250-420	4140,4142
1	ADAPTER ROD	BPX-3250-421	4140/4130/4142



SYSTEM WEIGHTS

ITEM	WEIGHT (LBS.)
BPX-4500-0135-3001	56

SETTING TOOL OPTIONS:

HYDRAULIC		WEIGHT (LBS)
3.125 INCH HYDRAULIC SETTING TOOL	SET-3125-010	300
	SCREEN SUB	TT0798-288A
	CIRCULATION SUB	SET-2875-010
	DUMP SUB	OT0710-288B-000
PROTECHNIC		WEIGHT (LBS)
3.25 INCH MULTISTAGE SETTING TOOL	SET-3250-010	206
	BOTTOM ADAPTER	SET-3250-431
3.25 INCH MULTISTAGE SETTING TOOL INTERNAL STROKE	SET-3250-400	
	BOTTOM ADAPTER	SET-3250-431A
		200