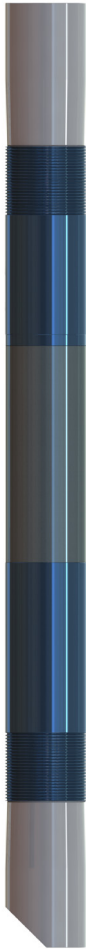


TECHNICAL INFORMATION:

PAT-2875-003, 2.875 INCH 6.4-6.5 PPF.



CASING O.D. (in)	2.875
CASING WT. (lb/ft)	6.4-6.5
CASING I.D. (in)	2.441
PATCH MAX. RUNNING O.D. (in)	2.270
PATCH I.D. AFTER SETTING (in)	1.875
PATCH DRIFT I.D. (in)	1.750
BURST HYDRAULIC RATING (psi)	8000
COLLAPSE HYDRAULIC RATING (psi)	8000

QTY.	DESCRIPTION	PART NUMBER	MATERIAL
	PAT-2875-003	X-SPAN SYSTEM	NOTED
1	PAT-2875-040	PIN ELEMENT	4140
1	PAT-2875-041	BOX ELEMENT	4140
1	PAT-2875-044	TOP SWAGE	4130/4140/4142
1	PAT-2875-045	BOTTOM SWAGE	4130/4140/4142
1	OOO-V569-135	O-RING	VITON
1	OOO-V569-136	O-RING	VITON
1	PAT-2875-048A	RELEASE RING	STL-12L4-150
1	PAT-2875-047	10 FT SECTION	L-80
-	PAT-2875-C47		13 CR
-	PAT-2875-050	5 FT SECTION	L-80
-	PAT-2875-C50		13 CR

MINIMUM EQUIPMENT REQUIRED FOR A FULL SYSTEM CONSISTS OF ONE SHORT ASSEMBLY AND ONE SECTION.

PRODUCT OFFERINGS:

The Owen X-SPAN® System is an economical, proven, durable and dependable sealing system for the isolation of perforations, splits, corrosion or leaks in all types of tubulars and conditions. This system can utilize a multitude of deployment methods in all types of well bores. The large bore assures easy passage of service tools including bridge plugs, drop balls, seal bore assemblies, logging tools and perforating systems. The minimal surface equipment required for deploying the patch and rig less intervention results in significant savings for the operator.

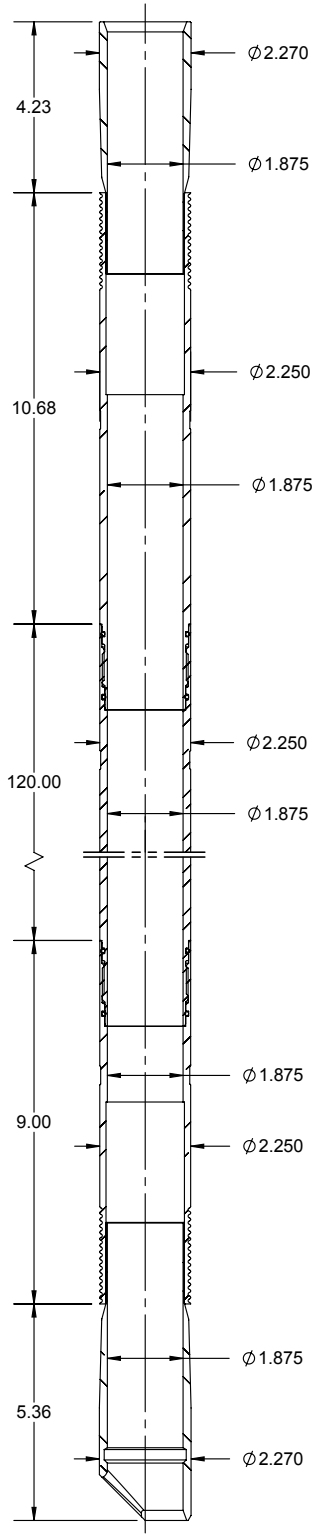
BENEFITS/CAPABILITIES:

The X-SPAN® System Offers:

- A proven, durable and dependable seal
- Deployment on electric wireline, tubing, drill pipe or coil tubing in vertical, deviated or horizontal or geothermal well bores
- An economical and reliable solution for a broad range of applications
- A large bore for easy passage of service tools
- Minimal surface equipment required for deployment

TECHNICAL INFORMATION:

PAT-2875-003, 2.875 INCH 6.4-6.5 PPF.



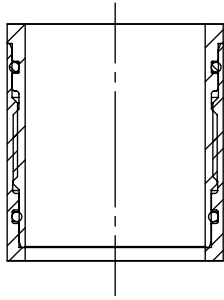
CASING O.D. (in)	2.875
CASING WT. (lb/ft)	6.4-6.5
CASING I.D. (in)	2.441
PATCH MAX. RUNNING O.D. (in)	2.270
PATCH I.D. AFTER SETTING (in)	1.875
PATCH DRIFT I.D. (in)	1.750
BURST HYDRAULIC RATING (psi)	8000
COLLAPSE HYDRAULIC RATING (psi)	8000

QTY.	DESCRIPTION	PART NUMBER	MATERIAL
1	PIN ELEMENT	PAT-2875-040	4140
1	BOX ELEMENT	PAT-2875-041	4140
1	TOP SWAGE	PAT-2875-044	4130/4140/4142
1	BOTTOM SWAGE	PAT-2875-045	4130/4140/4142
N+1	O-RING, VITON	OOO-V569-136	VITON
N+1	O-RING, VITON	OOO-V569-135	VITON
1	RELEASE RING	PAT-2875-048A	STL-12L4-150
N	10 FT SECTION	PAT-2875-047	L-80
1	SLEEVE NUT	SET-2125-120	4130 / 4140 / 4142
1	SLEEVE LOCK NUT	SET-2125-121	4130 / 4140 / 4142
1	SETTING SLEEVE	SET-2125-122	4130 / 4140 / 4142
1	QUICK CHANGE ROD	SET-2125-130	4340
1	QUICK CHANGE NUT	SET-2125-131	4340
1	TOP ADAPTER ROD	SET-2125-132	4130 / 4140 / 4142
N+1	ROD TANDEM CONNECTOR	SET-2125-133	4130 / 4140 / 4142
N	EXTENSION ROD	SET-2125-134	4130/4140/4142
OPT.	5 FT. ROD	SET-2125-135	4130/4140/4142
1	BOTTOM ROD	SET-2125-136	4130 / 4140 / 4142
1	COLLET	SET-2125-137	4130/4140/4142
1	COLLET SUPPORT	SET-2125-140	4130 / 4140 / 4142
N	ROD SUPPORT	SET-2125-238	ALUMINIUM

MINIMUM EQUIPMENT REQUIRED FOR 10 FT. SYSTEM

EXTENSION SPECIFICATIONS:

PAT-2875-003, 2.875 INCH 6.4-6.5 PPF.



PART NUMBER	LENGTH	OAL	WEIGHT	MATERIAL
PAT-2875-047	120	122.13	40.5	L-80
PAT-2875-C47	120	122.13	40.5	13 CR
PAT-2875-050	60	62.13	20.3	L-80
PAT-2875-C50	60	62.13	20.3	13 CR

PATCH TENSILE RATING	30,000 LBF.
----------------------	-------------

SYSTEM WEIGHTS:

	WEIGHT (LBS.)
PAT-2875-003	9.3
10 FT PATCH RUNNING WEIGHT	94.2
EA. ADDITIONAL 10 FT. LGTH ADD	68.7

SETTING TOOL OPTIONS:

HYDRAULIC			WEIGHT (LBS)
2-1/8 INCH HYDRAULIC	SET-2125-210		110
	SCREEN SUB	OT0-798-231A	
	CIRCULATION SUB	SET-2125-200	

PYROTECHNIC			WEIGHT (LBS)
2-1/8 INCH MULTISTAGE SETTING TOOL	SET-2125-100		56
	POWER CHARGE	JEC-5334-104	
		JEC-022-044	
	IGNITER	DET-5306-074	
		DET-5306-008	