

**TECHNICAL INFORMATION:**

**PAT-2875-0065-2001, 2.875 INCH 6.4-6.5 PPF**



CASING O.D. (in)	2.875
CASING WT. (lb/ft)	6.500
CASING I.D. (in)	2.250
PATCH MAX. RUNNING O.D. (in)	2.160
PATCH I.D. AFTER SETTING (in)	1.625
PATCH DRIFT I.D. (in)	1.500
BURST HYDRAULIC RATING (psi)	5000
COLLAPSE HYDRAULIC RATING (psi)	5000

QTY.	DESCRIPTION	PART NUMBER	MATERIAL
1	X-SPAN SYSTEM	PAT-2875-0065-2001	NOTED
1	PIN ELEMENT	PAT-2875-0065-2210	4140
1	BOX ELEMENT	PAT-2875-0065-2410	4140
1	TOP SWAGE	SST-2875-0065-2110	4140
1	BOTTOM SWAGE	PAT-2875-0065-2310	4140
1	O-RING	OOO-V569-132	VITON
1	O-RING	OOO-V569-131	VITON
1	30K SHEAR RING	PAT-2875-048A	STL-12L4-150
1	10 FT. SECTION	PAT-2875-0065-2010	1018 / 1026 SEAMLESS
	5 FT. SECTION	PAT-2875-0065-2005	1018 / 1026 SEAMLESS
	20 FT. SECTION	PAT-2875-0065-2020	1018 / 1026 SEAMLESS

**PRODUCT OFFERINGS:**

The Owen X-SPAN® System is an economical, proven, durable and dependable sealing system for the isolation of perforations, splits, corrosion or leaks in all types of tubulars and conditions. This system can utilize a multitude of deployment methods in all types of well bores. The large bore assures easy passage of service tools including bridge plugs, drop balls, seal bore assemblies, logging tools and perforating systems. The minimal surface equipment required for deploying the patch and rig less intervention results in significant savings for the operator.

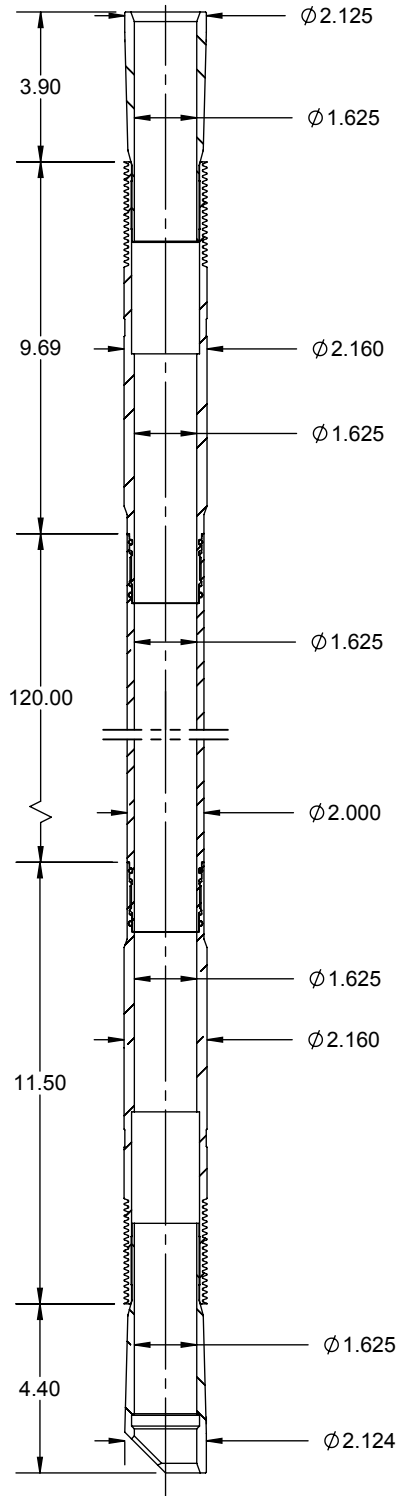
**BENEFITS/CAPABILITIES:**

The X-SPAN® System Offers:

- A proven, durable and dependable seal
- Deployment on electric wireline, tubing, drill pipe or coil tubing in vertical, deviated or horizontal or geothermal well bores
- An economical and reliable solution for a broad range of applications
- A large bore for easy passage of service tools
- Minimal surface equipment required for deployment

**TECHNICAL INFORMATION:**

**PAT-2875-0065-2001, 2.875 INCH 6.4-6.5 PPF**



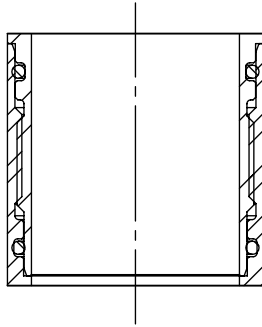
CASING O.D. (in)	2.875
CASING WT. (lb/ft)	6.5
CASING I.D. (in)	2.250
PATCH MAX. RUNNING O.D. (in)	2.160
PATCH I.D. AFTER SETTING (in)	1.625
PATCH DRIFT I.D. (in)	1.500
BURST HYDRAULIC RATING (psi)	5000
COLLAPSE HYDRAULIC RATING (psi)	5000

QTY.	DESCRIPTION	PART NUMBER	MATERIAL
1	PIN ELEMENT	PAT-2875-0065-2210	4140
1	BOX ELEMENT	PAT-2875-0065-2410	4140
1	TOP SWAGE	SST-2875-0065-2110	4140
1	BOTTOM SWAGE	PAT-2875-0065-2310	4140
N+1	O-RING	OOO-V569-132	VITON
N+1	O-RING	OOO-V569-131	VITON
1	30K SHEAR RING	PAT-2875-048A	STL-12L4-150
N	10 FT. SECTION	PAT-2875-0065-2010	1018 / 1026 SEAMLESS
OPT	5 FT. SECTION	PAT-2875-0065-2005	1018 / 1026 SEAMLESS
1	2.16" SLEEVE NUT	SET-2125-120T	4140
1	BOTTOM ADAPTER	SET-2125-014	4130 / 4140 / 4142
1	SLEEVE LOCK NUT	SET-1687-121	4130 / 4140 / 4142
1	SETTING SLEEVE	SET-2125-122T	4130 / 4140 / 4142
1	QUICK CHANGE ROD	SET-2125-130	4340
1	QUICK CHANGE NUT	SET-2125-131	4340
1	TOP ADAPTER ROD	SET-2125-132	4130 / 4140 / 4142
N+1	ROD TANDEM CONNECTOR	SET-2125-133	4130 / 4140 / 4142
N	10 FT. ROD	SET-2125-134	4130 / 4140 / 4142
OPT	5 FT. ROD	SET-2125-135	4130 / 4140 / 4142
1	BOTTOM ROD	SET-2125-136	4130 / 4140 / 4142
1	COLLET	SET-1687-130T	4130 / 4140 / 4142
1	COLLET SUPPORT	SET-1687-140T	4130 / 4140 / 4142

MINIMUM EQUIPMENT REQUIRED FOR 10 FT. SYSTEM

**EXTENSION SPECIFICATIONS:**

**PAT-2875-0065-2001, 2.875 INCH 6.4-6.5 PPF**



PART NUMBER	LENGTH	OAL	WEIGHT	MATERIAL
PAT-2875-0065-2010	120	121.82	35.6	1018 / 1026
PAT-2875-0065-2005	60	61.82	17.8	1018 / 1026
PAT-2875-0065-2020	240	241.82	71.25	1018 / 1026

PATCH TENSILE RATING	14,000 LBF.
----------------------	-------------

**SYSTEM WEIGHTS:**

	WEIGHT (LBS.)
PAT-2875-0065-2001	10.2
10 FT PATCH RUNNING WEIGHT	87.4
EA. ADDITIONAL 10 FT. LGTH ADD	62.9

**SETTING TOOL OPTIONS:**

HYDRAULIC		WEIGHT (LBS)
2-1/8 INCH HYDARULIC	SET-2125-100	110
	SCREEN SUB	OT0-798-231A
	CIRCULATION SUB	SET-2125-200

PYROTECHNIC		WEIGHT (LBS)
2-1/8 INCH MULTISTAGE SETTING TOOL	SET-2125-100	56
	POWER CHARGE	JEC-5334-104
		JEC-022-044
	IGNITER	DET-5306-074
		DET-5306-008