

TECHNICAL INFORMATION:

PAT-3500-002, 3.5 INCH 9.2-9.3



CASING O.D. (in)	3.5
CASING WT. (lb/ft)	9.2-9.3
CASING I.D. (in)	2.992
PATCH MAX. RUNNING O.D. (in)	2.812
PATCH I.D. AFTER SETTING (in)	2.375
PATCH DRIFT I.D. (in)	2.250
BURST HYDRAULIC RATING (psi)	6180
COLLAPSE HYDRAULIC RATING (psi)	6510

QTY.	DESCRIPTION	PART NUMBER	MATERIAL
	X-SPAN SYSTEM	PAT-3500-002	NOTED
2	BOX ELEMENT	PAT-3500-031	1018-1026 SEAMLESS
1	TANDEM PIN SUB	PAT-3500-032	4130
1	TOP SWAGE	PAT-3500-034	4130/4140/4142
1	BOTTOM SWAGE	PAT-3500-035	4130/4140/4142
2	O-RING	OOO-V569-143	VITON
2	O-RING	OOO-V569-144	VITON
1	SHEAR RING	PLG-3500-034	1026
1	10 FT SECTION	PAT-3500-037	4130-4140
	5 FT SECTION	PAT-3500-038	4130-4140

MINIMUM EQUIPMENT REQUIRED FOR A FULL SYSTEM CONSISTS OF ONE SHORT ASSEMBLY AND ONE SECTION.

PRODUCT OFFERINGS:

The Owen X-SPAN® System is an economical, proven, durable and dependable sealing system for the isolation of perforations, splits, corrosion or leaks in all types of tubulars and conditions. This system can utilize a multitude of deployment methods in all types of well bores. The large bore assures easy passage of service tools including bridge plugs, drop balls, seal bore assemblies, logging tools and perforating systems. The minimal surface equipment required for deploying the patch and rig less intervention results in significant savings for the operator.

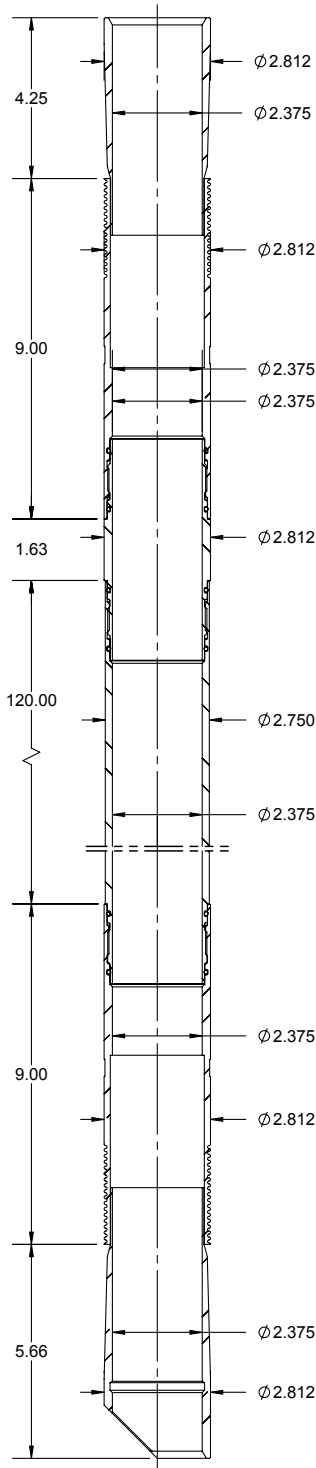
BENEFITS/CAPABILITIES:

The X-SPAN® System Offers:

- A proven, durable and dependable seal
- Deployment on electric wireline, tubing, drill pipe or coil tubing in vertical, deviated or horizontal or geothermal well bores
- An economical and reliable solution for a broad range of applications
- A large bore for easy passage of service tools
- Minimal surface equipment required for deployment

TECHNICAL INFORMATION:

PAT-3500-002, 3.5 INCH 9.2-9.3



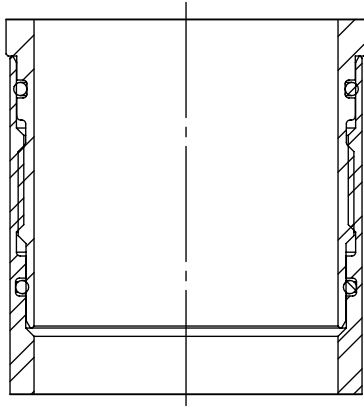
CASING O.D. (in)	3.5
CASING WT. (lb/ft)	9.2-9.3
CASING I.D. (in)	2.992
PATCH MAX. RUNNING O.D. (in)	2.812
PATCH I.D. AFTER SETTING (in)	2.375
PATCH DRIFT I.D. (in)	2.250
BURST HYDRAULIC RATING (psi)	6180
COLLAPSE HYDRAULIC RATING (psi)	6510

QTY.	DESCRIPTION	PART NUMBER	MATERIAL
2	BOX ELEMENT	PAT-3500-031	1018-1026 SEAMLESS
1	TANDEM PIN SUB	PAT-3500-032	4130
1	TOP SWAGE	PAT-3500-034	4130/4140/4142
1	BOTTOM SWAGE	PAT-3500-035	4130/4140/4142
N+2	O-RING	OOO-V569-143	VITON
N+2	O-RING	OOO-V569-144	VITON
1	RELEASE RING ADAPTER	SET-2125-145	4130/4140/4142
1	SHEAR RING	PLG-3500-034	1026
1	10 FT SECTION	PAT-3500-037	4130-4140
1	SLEEVE NUT	SET-2125-120	4130 / 4140 / 4142
1	SLEEVE LOCK NUT	SET-2125-121	4130 / 4140 / 4142
1	SETTING SLEEVE	SET-2125-126	1018 / 1026 / 4140
1	QUICK CHANGE ROD	SET-2125-130	4340
1	QUICK CHANGE NUT	SET-2125-131	4340
1	TOP ADAPTER ROD	SET-2125-132	4130 / 4140 / 4142
N+1	ROD TANDEM CONNECTOR	SET-2125-133	4130 / 4140 / 4142
N	10 FT ROD	SET-2125-134	4130/4140/4142
OPT.	5 FT ROD	SET-2125-135	4130/4140/4142
1	BOTTOM ROD	SET-2125-136	4130 / 4140 / 4142
1	COLLET	SET-2125-144	4130/4140/4142
1	COLLET SUPPORT	SET-2125-155	4130/4140/4142

MINIMUM EQUIPMENT REQUIRED FOR 10 FT. SYSTEM

EXTENSION SPECIFICATIONS:

PAT-3500-002, 3.5 INCH 9.2-9.3



PAT-3500-037	120	122.06	51	L-80
PAT-3500-038	60	62.06	25	L-80

PATCH TENSILE RATING	27,000 LBF
----------------------	------------

SYSTEM WEIGHTS:

	WEIGHT (LBS.)
PAT-3500-002	12.6
10 FT PATCH RUNNING WEIGHT	115.5
EA. ADDITIONAL 10 FT. LGTH ADD	79.2

SETTING TOOL OPTIONS:

HYDRAULIC			WEIGHT (LBS)
2-1/8 INCH HYDRAULIC	SET-2125-210		110
	SCREEN SUB	OTO-798-231A	
	CIRCULATION SUB	SET-2125-200	

PYROTECHNIC			WEIGHT (LBS)
2-1/8 INCH MULTISTAGE SETTING TOOL	SET-2125-100		56
	POWER CHARGE	JEC-5334-104	
		JEC-022-044	
	IGNITER	DET-5306-074	
		DET-5306-008	