

**TECHNICAL INFORMATION:**

**PAT-4500-0135-3001 4.5 INCH 13.5 PPF**



CASING O.D. (in) (mm)	4.5
CASING WT. (lb/ft) (kg/m)	13.5
CASING I.D. (in) (mm)	3.920
PATCH MAX. RUNNING O.D. (in) (mm)	3.658
PATCH I.D. AFTER SETTING (in) (mm)	2.992
PATCH DRIFT I.D. (in) (mm)	2.867
BURST HYDRAULIC RATING (psi) (MPa)	9000
COLLAPSE HYDRAULIC RATING (psi) (MPa)	9000

QTY.	DESCRIPTION	PART NUMBER	MATERIAL
	X-SPAN SYSTEM	PAT-4500-0135-3001	NOTED
4	ELASTOMER	GTX-4500-0135-6000	HSN
1	PIN ELEMENT	PAT-4500-0135-3210	13 CR
1	BOX ELEMENT	PAT-4500-0135-3410	13 CR
1	TOP SWAGE	PAT-4500-0135-3110	SUPER/HYPER CHROME
1	BOTTOM SWAGE	PAT-4500-0135-3310	SUPER/HYPER CHROME
1	72K SHEAR RING	PAT-4500-772	4140/4142
1	O-RING,VITON	OOO-V569-151	VITON
1	O-RING,VITON	OOO-V569-152	VITON
1	10 FT. SECTION	GTX-4500-110	L-80
		GTX-4500-110C	13CR
	5 FT. SECTION	GTX-4500-105	L-80
		GTX-4500-105C	13CR
	20 FT. SECTION	GTX-4500-120	L-80
		GTX-4500-120C	13CR

MINIMUM EQUIPMENT REQUIRED FOR A FULL SYSTEM CONSISTS OF ONE SHORT ASSEMBLY AND ONE SECTION.

**PRODUCT OFFERINGS:**

The Owen X-SPAN® System is an economical, proven, durable and dependable sealing system for the isolation of perforations, splits, corrosion or leaks in all types of tubulars and conditions. This system can utilize a multitude of deployment methods in all types of well bores. The large bore assures easy passage of service tools including bridge plugs, drop balls, seal bore assemblies, logging tools and perforating systems. The minimal surface equipment required for deploying the patch and rig less intervention results in significant savings for the operator.

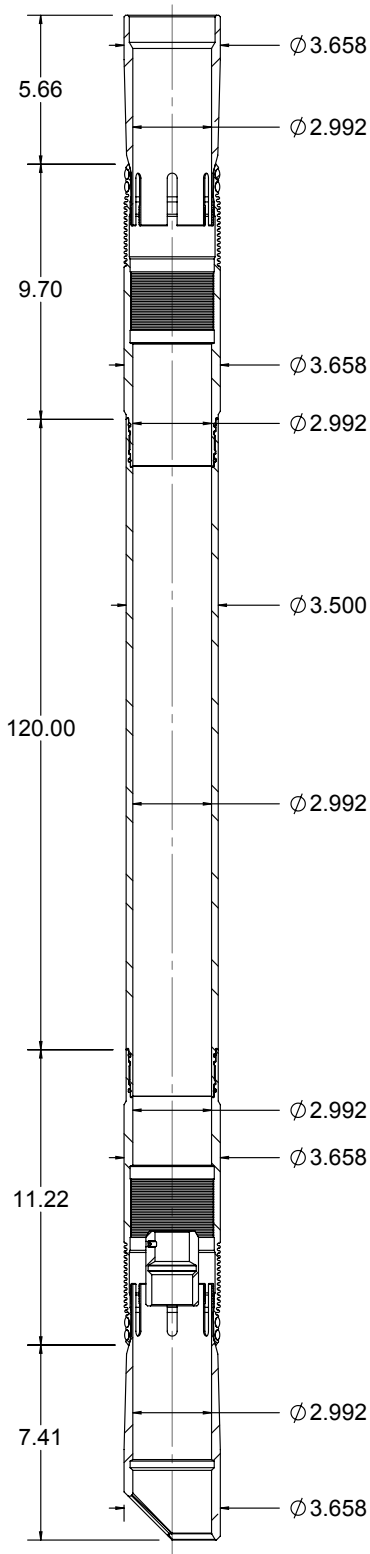
**BENEFITS/CAPABILITIES:**

The X-SPAN® System Offers:

- A proven, durable and dependable seal
- Deployment on electric wireline, tubing, drill pipe or coil tubing in vertical, deviated or horizontal or geothermal well bores
- An economical and reliable solution for a broad range of applications
- A large bore for easy passage of service tools
- Minimal surface equipment required for deployment

**TECHNICAL INFORMATION:**

**PAT-4500-0135-3001 4.5 INCH 13.5 PPF**

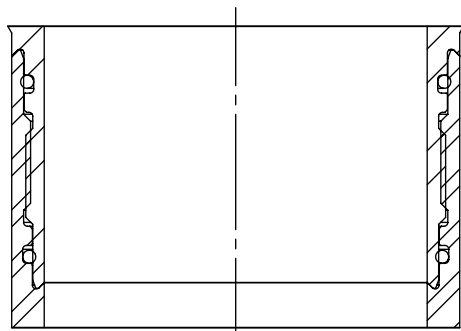


CASING O.D. (in) (mm)	4.5
CASING WT. (lb/ft) (kg/m)	13.5
CASING I.D. (in) (mm)	3.920
PATCH MAX. RUNNING O.D. (in) (mm)	3.658
PATCH I.D. AFTER SETTING (in) (mm)	2.992
PATCH DRIFT I.D. (in) (mm)	2.867
BURST HYDRAULIC RATING (psi) (MPa)	9000
COLLAPSE HYDRAULIC RATING (psi) (MPa)	9000

QTY.	DESCRIPTION	PART NUMBER	MATERIAL
	X-SPAN SYSTEM	PAT-4500-0135-3001	NOTED
4	ELASTOMER	GTX-4500-0135-6000	HSN
1	PIN ELEMENT	PAT-4500-0135-3210	13 CR
1	BOX ELEMENT	PAT-4500-0135-3410	13 CR
1	TOP SWAGE	PAT-4500-0135-3110	SUPER/HYPER CHROME
1	BOTTOM SWAGE	PAT-4500-0135-3310	SUPER/HYPER CHROME
1	72K SHEAR RING	PAT-4500-772	4140/4142
1	O-RING,VITON	OOO-V569-151	VITON
1	O-RING,VITON	OOO-V569-152	VITON
1	10 FT. SECTION	GTX-4500-110	L-80
		GTX-4500-110C	13CR
	5 FT. SECTION	GTX-4500-105	L-80
		GTX-4500-105C	13CR
	20 FT. SECTION	GTX-4500-120	L-80
		GTX-4500-120C	13CR

MINIMUM EQUIPMENT REQUIRED FOR A FULL SYSTEM CONSISTS OF ONE SHORT ASSEMBLY AND ONE SECTION.

**SECTION SPECIFICATIONS: PAT-4500-0135-3001 4.5 INCH 13.5 PPF**



PART NUMBER	LENGTH (INCHES)	OAL (INCHES)	WEIGHT (LBS.)	MATERIAL
GTX-4500-102	24.00	25.82	17.22	L-80
GTX-4500-102C	24.00	25.82	17.22	13 Cr L80
GTX-4500-105	60.00	61.82	43.16	L-80
GTX-4500-105C	60.00	61.82	43.16	13 Cr L80
GTX-4500-110	120.00	121.82	86.40	L-80
GTX-4500-110C	120.00	121.82	86.40	13 Cr L80
GTX-4500-120	240.00	241.82	172.86	L-80
GTX-4500-120C	240.00	241.82	172.86	13 Cr L80

PATCH TENSILE RATING	63,000 LBF
----------------------	------------

**SYSTEM WEIGHTS**

	WEIGHT (LBS.)
PAT-4500-0135-3001	29.29
10 FT PATCH RUNNING WEIGHT	226.92
EA. ADDITIONAL 10 FT. LGTH ADD	148

**SETTING TOOL OPTIONS:**

HYDRAULIC			WEIGHT (LBS)
3-1/8 INCH HYDARULIC	SET-3125-010		300
	SCREEN SUB	TT0798-288A	
	CIRCULATION SUB	SET-2875-010	
	DUMP SUB	OT0710-288B-000	

PYROTECHNIC			WEIGHT (LBS)
3-1/4 INCH MULTISTAGE SETTING TOOL	SET-3250-010		206
	BOTTOM ADAPTER	SET-3250-431	
	POWER CHARGE	JEC-5336-099	
		OPC-3250-000-MS	
	IGNITER	DET-5306-074	
		DET-5306-008	