

#### TECHNICAL INFORMATION:



CASING O.D. (in)	5.5
CASING WT. (lb/ft)	17
CASING I.D. (in)	4.892
PATCH MAX. RUNNING O.D. (in)	4.700
PATCH I.D. AFTER SETTING (in)	4.000
PATCH DRIFT I.D. (in)	3.875
BURST HYDRAULIC RATING (psi)	5690
COLLAPSE HYDRAULIC RATING (psi)	5920

QTY.	DESCRIPTION	PART NUMBER	MATERIAL
	X-SPAN SYSTEM	PAT-5500-003	NOTED
1	PIN ELEMENT	PAT-5500-040	1018 / 1026
1	BOX ELEMENT	PAT-5500-041	1018 / 1026
1	TOP SWAGE	PAT-5500-034	4130/4140/4142
1	BOTTOM SWAGE	PAT-5500-035	4130/4140/4142
1	72K SHEAR STUD	PAT-4500-038	4140/4142
1	O-RING	OOO-V569-156	VITON
1	O-RING	OOO-V569-155	VITON
1	10 FT SECTION	PAT-5500-037	1018-1026
	5FT SECTION	PAT-5500-038	1018-1026

MINIMUM EQUIPMENT REQUIRED FOR A FULL SYSTEM CONSISTS OF ONE SHORT ASSEMBLY AND ONE SECTION.

#### PRODUCT OFFERINGS:

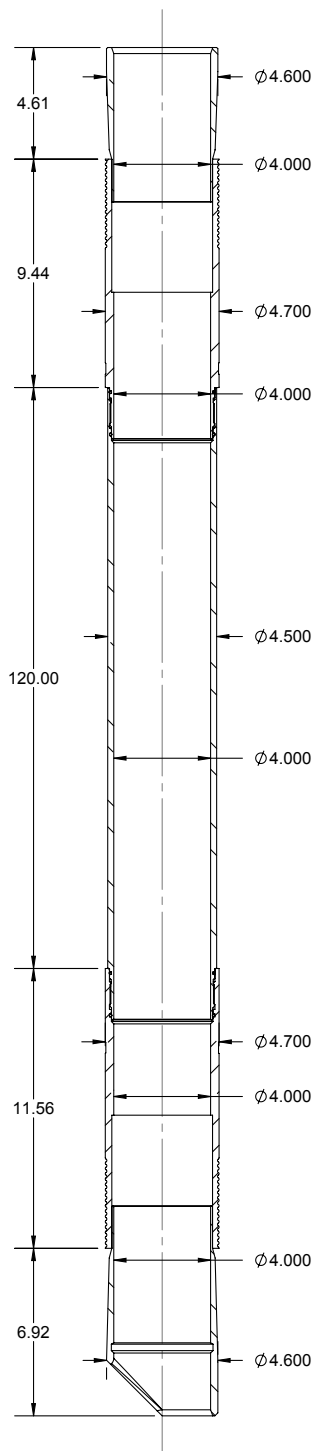
The Owen X-SPAN<sup>®</sup> System is an economical, proven, durable and dependable sealing system for the isolation of perforations, splits, corrosion or leaks in all types of tubulars and conditions. This system can utilize a multitude of deployment methods in all types of well bores. The large bore assures easy passage of service tools including bridge plugs, drop balls, seal bore assemblies, logging tools and perforating systems. The minimal surface equipment required for deploying the patch and rig less intervention results in significant savings for the operator.

#### BENEFITS/CAPABILITIES:

The X-SPAN<sup>®</sup> System Offers:

- A proven, durable and dependable seal
- Deployment on electric wireline, tubing, drill pipe or coil tubing in vertical, deviated or horizontal or geothermal well bores
- An economical and reliable solution for a broad range of applications
- A large bore for easy passage of service tools
- Minimal surface equipment required for deployment

#### TECHNICAL INFORMATION:



CASING O.D. (in)	5.500
CASING WT. (lb/ft)	17
CASING I.D. (in)	4.892
PATCH MAX. RUNNING O.D. (in)	4.700
PATCH I.D. AFTER SETTING (in)	4.000
PATCH DRIFT I.D. (in)	3.875
BURST HYDRAULIC RATING (psi)	5690
COLLAPSE HYDRAULIC RATING (psi)	5920

QTY.	DESCRIPTION	PART NUMBER	Material
1	PIN ELEMENT	PAT-5500-040	1018 / 1026
1	BOX ELEMENT	PAT-5500-041	1018 / 1026
1	TOP SWAGE	PAT-5500-034	4130/4140/4142
1	BOTTOM SWAGE	PAT-5500-035	4130/4140/4142
N+1	O-RING	OOO-V569-155	VITON
N+1	O-RING	OOO-V569-156	VITON
1	72K SHEAR STUD	PAT-4500-038	4140/4142
1	SET SCREW 1/4 INCH X 20 TPI, 5/16 INCH	PUR-0501-030	ALLOY
1	10 FT SECTION	PAT-5500-037	1018-1026
1	SLEEVE NUT	SET-3250-120	4140/4130
1	SLEEVE LOCK NUT	SET-3250-121	4140/4130
1	SETTING SLEEVE ASSY	SET-3250-148	NOTED
1	BLANK SLEEVE	SET-3250-150	1018/1026
1	BOTTOM GUIDE	SET-3250-151	1018/1026
1	BLANK NUT	SET-3250-149	4130/4140
1	QUICK CHANGE ROD	SET-3250-130	4130/4140
1	QUICK CHANGE NUT	SET-3250-131	4130/4140
1	TOP ADAPTER ROD	SET-3250-132	4130/4140
N+1	ROD TANDEM CONNECTOR	SET-3250-133	4140/4130
N	10 FT. ROD	SET-3250-134	4140 / 4130
OPT.	5 FT. ROD	SET-3250-135	4140/4130
1	BOTTOM ROD EXTENDED	SET-3250-136L	4140/4130
1	COLLET ASSEMBLY	SET-3250-154	NOTED
1	END SUB	SET-3250-156	4130/4140
1	COLLET BODY	SET-3250-155	4140
1	COLLET SUPPORT	SET-3250-157	4130/4140/4142
N+1	ROD SUPPORT	SET-3250-160	ALUMINIUM
1	BOX DRIFT	DRF-5500-0170-0BOX	4140/4142/4130
1	PIN DRIFT	DRF-5500-0170-0PIN	4140/4130/4142

MINIMUM EQUIPMENT REQUIRED FOR 10 FT. SYSTEM

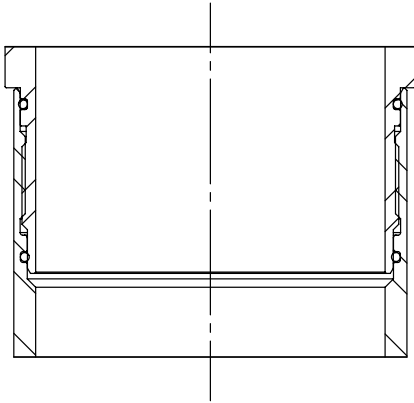


# X-SPAN System®

## Tubing Casing Patch

### PAT-5500-003, 5.5 INCH 17 PPF.

#### SECTION SPECIFICATIONS:



PART NUMBER	LENGTH (INCHES)	OAL (INCHES)	WEIGHT (LBS.)	MATERIAL
PAT-5500-037	120	122.13	111	1018-1026
PAT-5500-038	60	62.13	55	1018-1026

PATCH TENSILE RATING	53,000 LBF.
----------------------	-------------

#### SYSTEM WEIGHTS

	WEIGHT (LBS.)
PAT-5500-002	37
10 FT PATCH RUNNING WEIGHT	256
EA. ADDITIONAL 10 FT. LGTH ADD	173

#### SETTING TOOL OPTIONS:

HYDRAULIC		WEIGHT (LBS)
3.125 INCH HYDRALUIC SETTING TOOL	SET-3125-010	300
	SCREEN SUB	TT0798-288A
	CIRCULATION SUB	SET-2875-010
	DUMP SUB	OT0710-288B-000

PYROTECHNIC		WEIGHT (LBS)
3.25 INCH MULITSTAGE SETTING TOOL	SET-3250-010	206