

**TECHNICAL
INFORMATION:**

PAT-7000-G04, 7.0 INCH 26 PPF.



CASING O.D. (in)	7
CASING WT. (lb/ft)	26
CASING I.D. (in)	6.276
PATCH MAX. RUNNING O.D. (in)	6.110
PATCH I.D. AFTER SETTING (in)	5.500
PATCH DRIFT I.D. (in)	5.375
BURST HYDRAULIC RATING (psi)	2500
COLLAPSE HYDRAULIC RATING (psi)	2500
BURST GAS RATING (psi)	2500
COLLAPSE COLLAPSE RATING (psi)	2500

QTY.	DESCRIPTION	PART NUMBER	MATERIAL
1	GTX-SPAN SYSTEM	PAT-7000-G04	NOTED
4	ELASTOMER	GTX-7000-260-70HSN	HSN
1	PIN ELEMENT	PAT-7000-G50	1018-1026 SEAMLESS
1	BOX ELEMENT	PAT-7000-G51	1018-1026 SEAMLESS
1	TOP SWAGE	PAT-7000-044	4140/4130/4142
1	BOTTOM SWAGE	PAT-7000-045	4130/4140/4142
1	O-RING	OOO-V569-161	VITON
1	O-RING	OOO-V569-162	VITON
1	72K SHEAR STUD	PAT-4500-038	4140/4142
1	10 FT. SECTION	PAT-7000-047	1018 / 1026
	5 FT. SECTION	PAT-7000-049	1018 / 1026

MINIMUM EQUIPMENT REQUIRED FOR A FULL SYSTEM CONSISTS OF ONE SHORT ASSEMBLY AND ONE SECTION.

PRODUCT OFFERINGS:

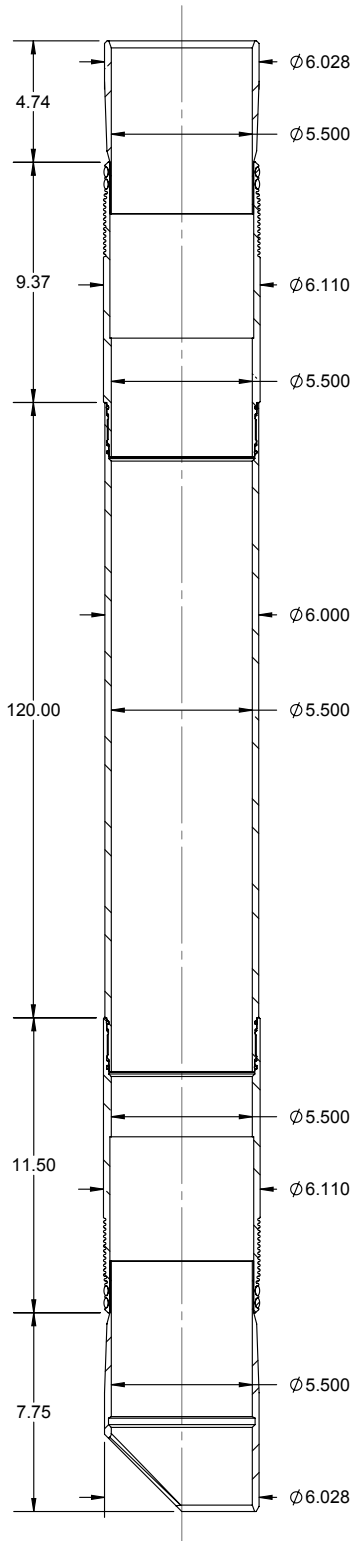
GTX-SPAN provides a gas tight system to the industry which is effective, reliable, and economical. The system is durable and dependable as an isolation method of perforations, splits, corrossions or leaks in most types of tubulars. This system as well as our current X-SPAN[®] System can be designed using premium alloys for extreme well bore environments and custom sized for most tubing restrictions.

BENEFITS/CAPABILITIES:

- Economical and reliable solution for water shut-off / zonal isolation
- Large bore assures easy passage of service tools
- Minimal surface equipment and one trip system results in savings
- Well interventions may be performed on flowing or static wells
- Easily deployed using a range of pyrotechnic multistage or hydraulic setting tools

TECHNICAL INFORMATION:

PAT-7000-G04, 7.0 INCH 26 PPF.



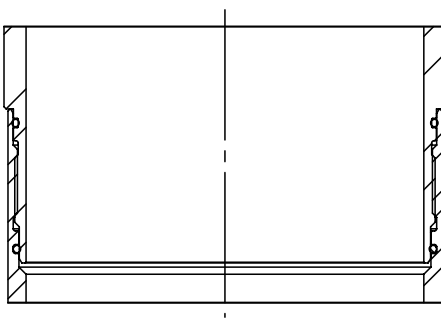
CASING O.D. (in)	7
CASING WT. (lb/ft)	26
CASING I.D. (in)	6.276
PATCH MAX. RUNNING O.D. (in)	6.110
PATCH I.D. AFTER SETTING (in)	5.500
PATCH DRIFT I.D. (in)	5.375
BURST HYDRAULIC RATING (psi)	2500
COLLAPSE HYDRAULIC RATING (psi)	2500
BURST GAS RATING (psi)	2500
COLLAPSE COLLAPSE RATING (psi)	2500

QTY.	PART NUMBER	DESCRIPTION	MATERIAL
4	ELASTOMER	GTX-7000-260-70HSN	HSN
1	PIN ELEMENT	PAT-7000-G50	1018-1026 SEAMLESS
1	BOX ELEMENT	PAT-7000-G51	1018-1026 SEAMLESS
1	TOP SWAGE	PAT-7000-044	4140/4130/4142
1	BOTTOM SWAGE	PAT-7000-045	4130/4140/4142
N+1	O-RING	OOO-V569-161	VITON
N+1	O-RING	OOO-V569-162	VITON
1	72K SHEAR STUD	PAT-4500-038	4140/4142
1	SET SCREW 1/4 INCH X 20 TPI, 5/16 INCH	PUR-0501-030	ALLOY
N	10 FT. SECTION	PAT-7000-047	1018 / 1026
1	SLEEVE NUT	SET-3250-120	4140/4130
1	SLEEVE LOCK NUT	SET-3250-121	4140/4130
1	SETTING SLEEVE ASSEMBLY	SET-3250-182	4140 / 4142
1	QUICK CHANGE ROD	SET-3250-130	4130/4140
1	QUICK CHANGE NUT	SET-3250-131	4130/4140
1	TOP ADAPTER ROD	SET-3250-132	4130/4140
N+1	ROD TANDEM CONNECTOR	SET-3250-133	4140/4130
N	10 FT. ROD	SET-3250-134	4140 / 4130
OPT	5 FT. ROD	SET-3250-135	4140 / 4130
1	BOTTOM ROD EXTENDED	SET-3250-136L	4140/4130
1	COLLET ASSEMBLY	SET-3250-184	NOTED
1	COLLET BODY	SET-3250-185	4140 / 4142
1	END SUB	SET-3250-186	4140 / 4130
1	COLLET SUPPORT	SET-3250-177	4143 / 4140
N	ROD SUPPORT	SET-3250-196	ALUMINUM

MINIMUM EQUIPMENT REQUIRED FOR 10 FT. SYSTEM

EXTENSION SPECIFICATIONS:

PAT-7000-G04, 7.0 INCH 26 PPF.



PART NUMBER	LENGTH	OAL	WEIGHT	MATERIAL
PAT-7000-047	120	122.13	154	1018-1026
PAT-7000-049	60	62.13	77	1018-1026

PATCH TENSILE RATING	74,000 LBF
----------------------	------------

SYSTEM WEIGHTS

	WEIGHT (LBS.)
PAT-7000-G04	42.65
10 FT PATCH RUNNING WEIGHT	336.14
EA. ADDITIONAL 10 FT. LGTH ADD	216

SETTING TOOL OPTIONS:

	HYDRAULIC		WEIGHT (LBS)
4-1/2 INCH HYDRAULIC	SET-4500-010		880
3-1/8 INCH HYDRAULIC	SET-3125-000		300
	SCREEN SUB	TT0798-288A	
	CIRCULATION SUB	SET-2875-010	
	DUMP SUB	OT0710-288B-000	

	PYROTECHNIC		WEIGHT (LBS)
3-1/4 INCH MULTISTAGE SETTING TOOL	SET-3250-000		206
	POWER CHARGE	OPC-3250-000-MS	
	IGNITER	DET-5306-074	
		DET-5306-008	
4-1/2 INCH MULTISTAGE SETTING TOOL	SET-4500-000		700
	POWER CHARGE	JEC-0450-140	
	IGNITER	DET-5306-074	
		DET-5306-008	