



SST-SPAN System®

Tubing - Casing Suspension System

SST-3500-0102-3001, 3.5 INCH 10.2 PPF

TECHNICAL INFORMATION:



CASING O.D. (in)	3.5
CASING WT. (lb/ft)	10.2
CASING I.D. (in)	2.922
MAX. RUNNING O.D. (in)	2.767
I.D. AFTER SETTING (in)	2.250
DRIFT I.D. (in)	2.125
MAXIMUM LOAD (lbf.)	35,000

QTY.	DESCRIPTION	PART NUMBER	MATERIAL
	SUSPENSION SYSTEM	SST-3500-0105-3001	NOTED
2	ELASTOMER	GTX-3500-0102-6000	HSN
1	TOP SWAGE	GTX-3500-0102-3110	SUPER / HYPER CHROME
1	PIN ELEMENT	GTX-3500-0102-3210	13 Cr
1	PROFILE SUB	STX-3500-0102-3450	P110 SUPER/HYPER CHROME
2	O-RING	OOO-V569-142	VITON
1	O-RING	OOO-V569-143	VITON
1	42 - 43K SHEAR RING	PAT-3500-058	1026

MINIMUM REQUIRED EQUIPMENT REQUIRED.

PRODUCT OFFERINGS:

The suspension X-SPAN® allows for long lengths of tubulars to be suspended below the sealing element, it also gives a large ID after setting which is a big advantage when it comes to production restrictions and subsequent wellbore accessibility. This system can be customized to fit an assortment of tools and is easily deployed with our conventional hydraulic or pyrotechnic setting equipment.

BENEFITS/CAPABILITIES:

- Increased I.D. over conventional hanger systems
- Multiple crossover connection options and applications
- The system has excellent suspension load capabilities
- X-SPAN® suspension systems can be engineered to include:
 - Liners
 - Sand Control Screens
 - Velocity String
 - Profile Nipples
 - Sliding Sleeves which are just a few of the applications

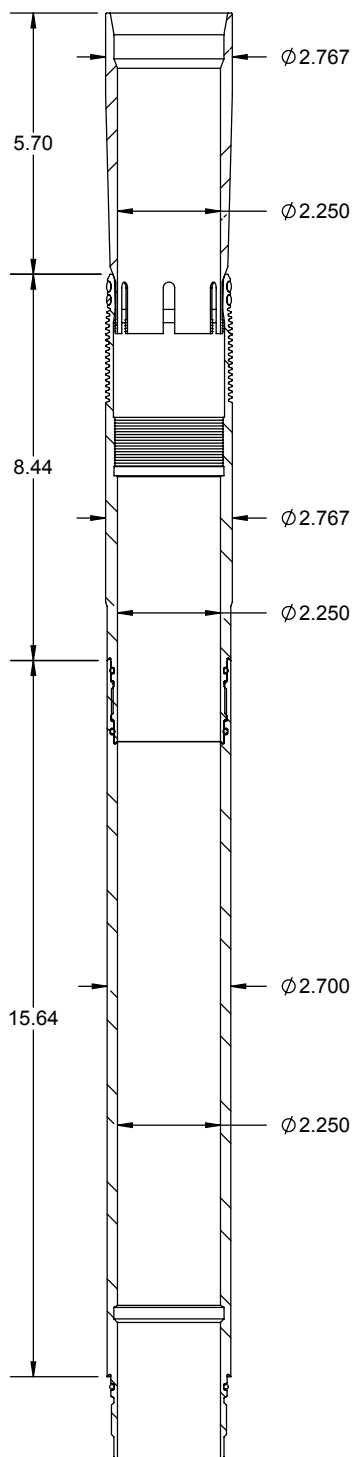


SST-SPAN System®

Tubing - Casing Suspension System

SST-3500-0102-3001, 3.5 INCH 10.2 PPF

TECHNICAL INFORMATION:



CASING O.D. (in)	3.5
CASING WT. (lb/ft)	10.2
CASING I.D. (in)	2.992
MAX. RUNNING O.D. (in)	2.767
I.D. AFTER SETTING (in)	2.250
DRIFT I.D. (in)	2.125
MAXIMUM LOAD (lbf.)	35,000

QTY.	DESCRIPTION	PART NUMBER	MATERIAL
2	ELASTOMER	GTX-3500-0102-6000	HSN
1	TOP SWAGE	GTX-3500-0102-3110	SUPER / HYPER CHROME
1	PIN ELEMENT	GTX-3500-0102-3210	13 Cr
1	PROFILE SUB	STX-3500-0102-3450	P110 SUPER/HYPER CHROME
2	O-RING	OOO-V569-142	VITON
1	O-RING	OOO-V569-143	VITON
1	SLEEVE NUT	SET-2687-130	4140/4142
1	SETTING SLEEVE	SET-2125-126	4140
1	SLEEVE LOCK NUT	SET-2125-121	4130 / 4140 / 4142
1	TOP ADAPTER ROD	SET-2125-132	4130 / 4140 / 4142
1	ROD TANDEM CONNECTOR	SET-2125-133	4130 / 4140 / 4142
1	BOTTOM ROD	SET-2125-136	4130 / 4140 / 4142
1	42 - 43K SHEAR RING	PAT-3500-058	1026
1	RELEASE RING ADAPTER	SET-2125-145	4130/4140/4142
1	COLLET	SET-2125-161	4130/4140/4142
1	COLLET SUPPORT	SET-2125-155A	4140 / 4130

MINIMUM REQUIRED EQUIPMENT REQUIRED.

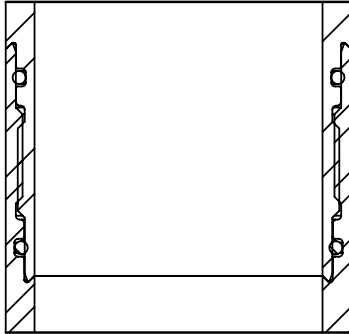


SST-SPAN System®

Tubing - Casing Suspension System

SST-3500-0102-3001, 3.5 INCH 10.2 PPF

SECTION SPECIFICATIONS:



PART NUMBER	WEIGHT (LBS.)	MATERIAL
GTX-3500-0102-3210	4	13 Cr

TENSILE RATING	40,000 LBF
----------------	------------

SYSTEM WEIGHTS

	WEIGHT (LBS.)
SST-3500-0102-3001	12.4

SETTING TOOL OPTIONS:

HYDRAULIC		WEIGHT (LBS)
SET-2687-200	2-11/16 HYDRAULIC	150
	SCREEN SUB	OTO-798-288A
	CIRCULATION SUB	SET-2875-010
	DUMP SUB	SET-2125-200

PYROTECHNIC		WEIGHT (LBS)
SET-2687-101	2-11/16 MSST	90