

TECHNICAL  
INFORMATION:

### SST-3500-0127-1002, 3.5 INCH 12.7 PPF.



CASING O.D. (in)	3.5
CASING WT. (lb/ft)	12.7
CASING I.D. (in)	2.750
MAX. RUNNING O.D. (in)	2.580
I.D. AFTER SETTING (in)	1.970
DRIFT I.D. (in)	1.845
MAXIMUM LOAD (lbf.)	27000

QTY.	DESCRIPTION	PART NUMBER	MATERIAL
	SSX-SPAN SYSTEM	SST-3500-0127-1002	NOTED
2	ELASTOMER	GTX-3500-127-70HSN	HSN
1	PIN ELEMENT	GTX-3500-020	4140
1	TOP SWAGE	GTX-3500-024	4140 / 4142
1	PROFILE SUB	SST-3500-0127-1450	4140 / 4130 / 4142
1	CROSS OVER TO A 2.375 VAM TOP	SST-3500-0127-0514	4130 / 4140 / 4142
2	O-RING	OOO-V569-138	VITON
2	O-RING	OOO-V569-139	VITON
1	30K SHEAR RING	PAT-2875-048A	STL-12L4-150

MINIMUM REQUIRED EQUIPMENT REQUIRED.

#### PRODUCT OFFERINGS:

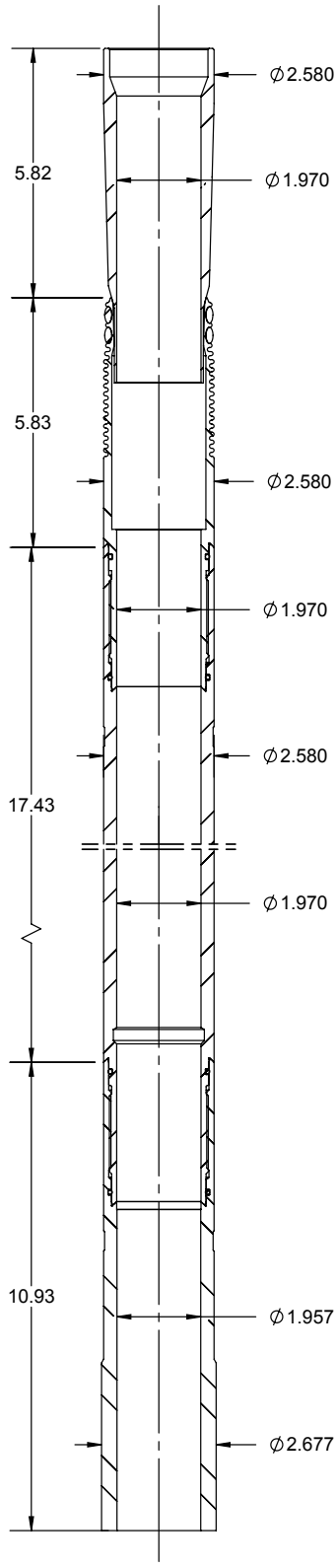
The suspension X-SPAN<sup>®</sup> allows for long lengths of tubulars to be suspended below the sealing element, it also gives a large ID after setting which is a big advantage when it comes to production restrictions and subsequent wellbore accessibility. This system can be customized to fit an assortment of tools and is easily deployed with our conventional hydraulic or pyrotechnic setting equipment.

#### BENEFITS/CAPABILITIES:

- Increased I.D. over conventional hanger systems
- Multiple crossover connection options and applications
- The system has excellent suspension load capabilities
- X-SPAN<sup>®</sup> suspension systems can be engineered to include:
  - Liners
  - Sand Control Screens
  - Velocity String
  - Profile Nipples
  - Sliding Sleeves which are just a few of the applications

**TECHNICAL  
INFORMATION:**

### SST-3500-0127-1002, 3.5 INCH 12.7 PPF.



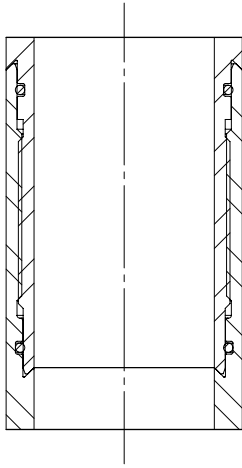
CASING O.D. (in)	3.5
CASING WT. (lb/ft)	12.7
CASING I.D. (in)	2.750
MAX. RUNNING O.D. (in)	2.580
I.D. AFTER SETTING (in)	1.970
DRIFT I.D. (in)	1.845
MAXIMUM LOAD (lbf.)	27000

QTY.	DESCRIPTION	PART NUMBER	MATERIAL
2	GTX-3500-127-70HSN	ELASTOMER	HSN
1	GTX-3500-020	PIN ELEMENT	4140
1	GTX-3500-024	TOP SWAGE	4140 / 4142
1	SST-3500-0127-1450	PROFILE SUB	4140 / 4130 / 4142
1	SST-3500-0127-0514	CROSS OVER TO A 2.375 VAM TOP	4130 / 4140 / 4142
2	OOO-V569-138	O-RING	VITON
2	OOO-V569-139	O-RING	VITON
1	PAT-2875-048A	30K SHEAR RING	STL-12L4-150
1	SET-2125-120	SLEEVE NUT	4130 / 4140 / 4142
1	SET-2125-121	SLEEVE LOCK NUT	4130 / 4140 / 4142
1	SET-2125-148	SETTING SLEEVE	4130 / 4140 / 4142
1	SET-2125-130	QUICK CHANGE ROD	4340
1	SET-2125-131	QUICK CHANGE NUT	4340
1	SET-2125-132	TOP ADAPTER ROD	4130 / 4140 / 4142
1	SET-2125-133	ROD TANDEM CONNECTOR	4130 / 4140 / 4142
1	SET-2125-136	BOTTOM ROD	4130 / 4140 / 4142
1	SET-2125-138	COLLET	4130 / 4140 / 4142
1	SET-2125-141	COLLET SUPPORT	4130/4140/4142

MINIMUM EQUIPMENT REQUIRED

SECTION SPECIFICATIONS:

SST-3500-0127-1002, 3.5 INCH 12.7 PPF.



PART NUMBER	WEIGHT (LBS.)	MATERIAL
GTX-3500-020	2.8	4140

TENSILE RATING	57000 LBF.
----------------	------------

SYSTEM WEIGHTS

	WEIGHT (LBS.)
SST-3500-0127-1002	23.3

SETTING TOOL OPTIONS:

HYDRAULIC			WEIGHT (LBS)
2-1/8 INCH HYDRAULIC	SET-2125-210		110
	SCREEN SUB	OT0-798-231A	
	CIRCULATION SUB	SET-2125-200	

PYROTECHNIC			WEIGHT (LBS)
2-1/8 INCH MULTISTAGE SETTING TOOL	SET-2125-100		56
	POWER CHARGE	JEC-5334-104	
		JEC-022-044	
	IGNITER	DET-5306-074	
		DET-5306-008	