



TECHNICAL INFORMATION:

SST-4500-0126-3001, 4.5 inch 12.6 PPF



| | |
|-------------------------|--------|
| CASING O.D. (in) | 4.5 |
| CASING WT. (lb/ft) | 12.6 |
| CASING I.D. (in) | 3.958 |
| MAX. RUNNING O.D. (in) | 3.718 |
| I.D. AFTER SETTING (in) | 3.125 |
| DRIFT I.D. (in) | 3.000 |
| Maximum load (lbf.) | 56,000 |

| QTY. | DESCRIPTION | PART NUMBER | MATERIAL |
|------|-------------------|--------------------|--------------------|
| | SUSPENSION SYSTEM | SST-4500-0126-3001 | NOTED |
| 1 | PIN ELEMENT | SPC-4500-060 | 13 Cr |
| 1 | TOP SWAGE | SPC-4500-064 | SUPER/HYPER CHROME |
| 1 | PROFILE SUB | SST-4500-0126-0615 | 13 Cr |
| 2 | O-RING | OOO-V569-152 | VITON |
| 2 | O-RING | OOO-V569-1525 | VITON |
| 1 | 60K SHEAR RING | PAT-4500-760 | 4140 / 4142 |

MINIMUM EQUIPMENT REQUIRED.

PRODUCT OFFERINGS:

The suspension X-SPAN® allows for long lengths of tubulars to be suspended below the sealing element, it also gives a large ID after setting which is a big advantage when it comes to production restrictions and subsequent wellbore accessibility. This system can be customized to fit an assortment of tools and is easily deployed with our conventional hydraulic or pyrotechnic setting equipment.

BENEFITS/CAPABILITIES:

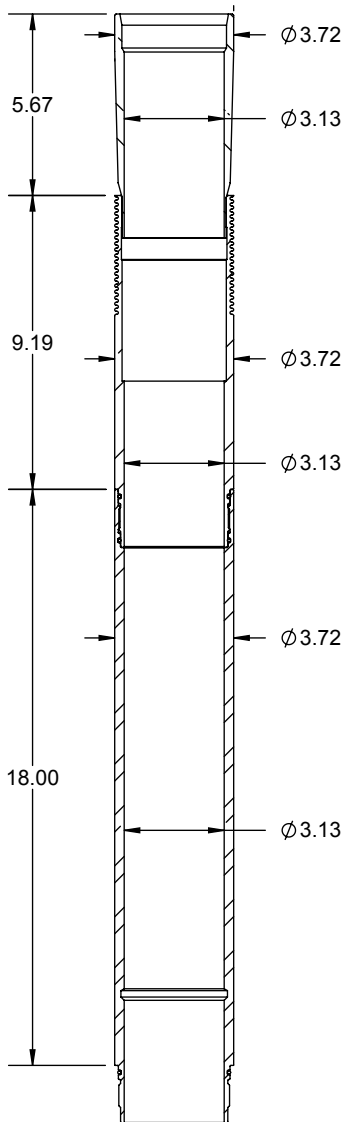
- Increased I.D. over conventional hanger systems
- Multiple crossover connection options and applications
- The system has excellent suspension load capabilities
- X-SPAN® suspension systems can be engineered to include:
 - Liners
 - Sand Control Screens
 - Velocity String
 - Profile Nipples
 - Sliding Sleeves which are just a few of the applications

© 2016, 2017 Owen Oil Tools All Rights Reserved



TECHNICAL INFORMATION:

SST-4500-0126-3001, 4.5 inch 12.6 PPF



| | |
|-------------------------|--------|
| CASING O.D. (in) | 4.5 |
| CASING WT. (lb/ft) | 12.6 |
| CASING I.D. (in) | 3.958 |
| MAX. RUNNING O.D. (in) | 3.718 |
| I.D. AFTER SETTING (in) | 3.125 |
| DRIFT I.D. (in) | 3.000 |
| Maximum load (lbf.) | 56,000 |

| QTY. | DESCRIPTION | PART NUMBER | MATERIAL |
|------|--|--------------------|--------------------|
| 1 | PIN ELEMENT | SPC-4500-060 | 13 Cr |
| 1 | TOP SWAGE | SPC-4500-064 | SUPER/HYPER CHROME |
| 1 | PROFILE SUB | SST-4500-0126-0615 | 13 Cr |
| 2 | O-RING | OOO-V569-152 | VITON |
| 1 | O-RING | OOO-V569-1525 | VITON |
| 1 | 60K SHEAR RING | PAT-4500-760 | 4140 / 4142 |
| 1 | SET SCREW 1/4 INCH X 20 TPI, 5/16 INCH | PUR-0501-030 | ALLOY |
| 1 | SLEEVE NUT | SET-3250-420 | 4140,4142 |
| 1 | SETTING SLEEVE LOCK NUT | SET-3250-421 | 4140/4142 |
| 1 | SETTING SLEEVE | SET-3250-422 | 4140/4142 |
| 1 | TOP ADAPTER ROD | SET-3250-132 | 4130/4140 |
| 1 | ROD TANDEM CONNECTOR | SET-3250-133 | 4140/4130 |
| 1 | BOTTOM ROD EXTENDED | SET-3250-136L | 4140/4130 |
| 1 | COLLET ASSEMBLY | SET-3250-737 | SEE TABLE |
| | END SUB | SET-3250-745 | 4130 / 4140 / 4142 |
| | COLLET | SET-3250-736 | 4130/4140/4142 |
| 1 | COLLET SUPPORT | SET-3250-446 | 4140/4142 |

MINIMUM EQUIPMENT REQUIRED



SECTION SPECIFICATIONS:

SST-4500-0126-3001, 4.5 inch 12.6 PPF



| PART NUMBER | WEIGHTS (LBS.) | MATERIAL |
|----------------|----------------|------------|
| SPC-4500-060 | 7 | 13 Cr |
| TENSILE RATING | | 80,000 LBF |

SYSTEM WEIGHTS

| SYSTEM WEIGHTS | WEIGHT (LBS.) |
|--------------------|---------------|
| SST-4500-0126-3001 | 27 |

SETTING TOOL OPTIONS:

| HYDRAULIC | | | WEIGHT (LBS) |
|----------------------|-----------------|-----------------|--------------|
| 3-1/8 INCH HYDARULIC | SET-3125-010 | | 300 |
| | SCREEN SUB | TT0798-288A | |
| | CIRCULATION SUB | SET-2875-010 | |
| | DUMP SUB | OT0710-288B-000 | |

| PYROTECHNIC | | | WEIGHT (LBS) |
|------------------------------------|----------------|-----------------|--------------|
| 3-1/4 INCH MULTISTAGE SETTING TOOL | SET-3250-010 | | 206 |
| | BOTTOM ADAPTER | SET-3250-431 | |
| | POWER CHARGE | JEC-5336-099 | |
| | | OPC-3250-000-MS | |
| | IGNITER | DET-5306-074 | |
| | | DET-5306-008 | |