

TECHNICAL INFORMATION:

SST-4500-0126-3002, 4.5 INCH 12.6 PPF



CASING O.D. (in)	4.5
CASING WT. (lb/ft)	12.6
CASING I.D. (in)	3.958
MAX. RUNNING O.D. (in)	3.718
I.D. AFTER SETTING (in)	3.125
DRIFT I.D. (in)	3.000
MAXIMUM LOAD (lbf.)	56,000

QTY.	DESCRIPTION	PART NUMBER	MATERIAL
	SUSPENSION SYSTEM W/ 2-3/8 INCH EUE BOX CROSS OVER	SST-4500-0126-3002	NOTED
1	PIN ELEMENT	SPC-4500-060	13 Cr
1	TOP SWAGE	SPC-4500-064	SUPER/HYPER CHROME
1	PROFILE SUB	SST-4500-0126-0615	13 Cr
2	O-RING	OOO-V569-152	VITON
2	O-RING	OOO-V569-1525	VITON
1	60K SHEAR RING	PAT-4500-760	4140 / 4142
1	CROSS OVER TO 2-3/8 EUE BOX	SST-4500-0126-0511	13 Cr - L80

MINIMUM EQUIPMENT REQUIRED

PRODUCT OFFERINGS:

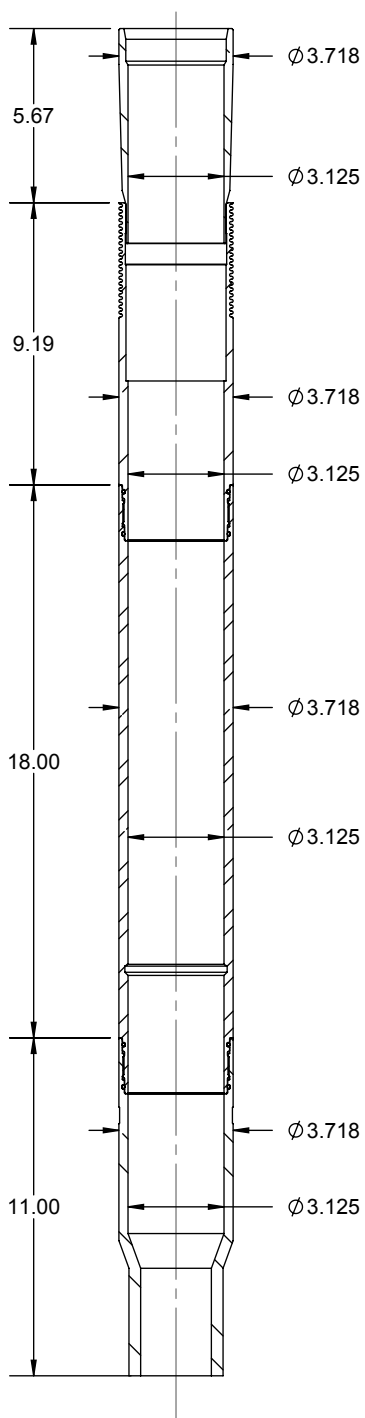
SSX-SPAN® is a suspension system that allows for long lengths of tubulars to be suspended below the sealing element, it also gives a large inner diameter after setting which is a big advantage when it comes to production restrictions and subsequent wellbore accessibility. This system can be customized to fit an assortment of tools and is easily deployed with our conventional hydraulic or pyrotechnic setting equipment.

BENEFITS/CAPABILITIES:

- Increased inner diameter over conventional hanger systems
- Multiple crossover connection options and applications
- The system has excellent suspension load capabilities
- SSX-Span suspension systems can be engineered to be used as
 - Liner hangers
 - To suspend Sand Control Screens
 - To incorporate Velocity Stings with profile nipples

TECHNICAL INFORMATION:

SST-4500-0126-3002, 4.5 INCH 12.6 PPF



CASING O.D. (in)	4.5
CASING WT. (lb/ft)	12.6
CASING I.D. (in)	3.958
MAX. RUNNING O.D. (in)	3.718
I.D. AFTER SETTING (in)	3.125
DRIFT I.D. (in)	3.000
Maximum load (lbf.)	56,000

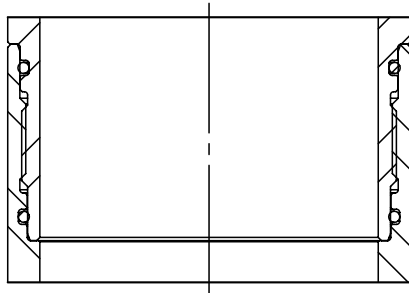
QTY.	DESCRIPTION	PART NUMBER	MATERIAL
1	PIN ELEMENT	SPC-4500-060	13 Cr
1	TOP SWAGE	SPC-4500-064	SUPER/HYPER CHROME
2	O-RING	OOO-V569-152	VITON
2	O-RING	OOO-V569-1525	VITON
1	60K SHEAR RING	PAT-4500-760	4140 / 4142
1	SET SCREW 1/4 INCH X	PUR-0501-030	ALLOY
1	SLEEVE NUT	SET-3250-420	4140,4142
1	SETTING SLEEVE LOCK NUT	SET-3250-421	4140/4142
1	SETTING SLEEVE	SET-3250-422	4140/4142
1	TOP ADAPTER ROD	SET-3250-132	4130/4140
1	ROD TANDEM CONNECTOR	SET-3250-133	4140/4130
1	BOTTOM ROD EXTENDED	SET-3250-136L	4140/4130
1	COLLET ASSEMBLY	SET-3250-737	SEE TABLE
	END SUB	SET-3250-745	4130 / 4140 / 4142
	COLLET	SET-3250-736	4130/4140/4142
1	COLLET SUPPORT	SET-3250-446	4140/4142
1	PROFILE SUB	SST-4500-0126-0615	13 Cr
1	CROSS OVER TO 2-3/8 EUE BOX	SST-4500-0126-0511	13 Cr

MINIMUM EQUIPMENT REQUIRED



SECTION SPECIFICATIONS:

SST-4500-0126-3002, 4.5 INCH 12.6 PPF



PART NUMBER	WEIGHT (LBS.)	MATERIAL
SPC-4500-060	7	13 Cr

TENSILE RATING	80,000 LBF
----------------	------------

SYSTEM WEIGHTS

SYSTEM WEIGHTS	WEIGHT (LBS.)
SST-4500-0126-3002	36

SETTING TOOL OPTIONS:

HYDRAULIC			WEIGHT (LBS)
3-1/8 INCH HYDARULIC	SET-3125-010		300
	SCREEN SUB	TT0798-288A	
	CIRCULATION SUB	SET-2875-010	
	DUMP SUB	OT0710-288B-000	

PYROTECHNIC			WEIGHT (LBS)
3-1/4 INCH MULTISTAGE SETTING TOOL	SET-3250-010		206
	BOTTOM ADAPTER	SET-3250-431	
	POWER CHARGE	JEC-5336-099	
		OPC-3250-000-MS	
	IGNITER	DET-5306-074	
		DET-5306-008	