

TECHNICAL INFORMATION:

2.875 INCH, 6.5 PPF.



CASING O.D. (IN)	2.875
CASING WT. (LB/FT)	6.5
CASING I.D. (IN)	2.441
PATCH MAX. RUNNING O.D. (IN)	2.280
PATCH I.D. AFTER SETTING (IN)	1.800
PATCH DRIFT I.D. (IN)	1.675
BURST HYDRAULIC RATING (PSI)	5400
COLLAPSE HYDRAULIC RATING (PSI)	5900

QTY.	DESCRIPTION	PART NUMBER	MATERIAL
	STX-SPAN SYSTEM	STX-2875-0065-3003	NOTED
1	LOWER COMPLETION	STX-2875-0065-3100	NOTED
1	LOWER STINGER ASSEMBLY	STX-2875-0065-3203	NOTED
1	TOP STINGER ASSEMBLY	STX-2875-0065-3303	NOTED
OPT	STANDARD STINGER ASSEMBLY	STX-2875-0065-3603	NOTED
1	TOP COMPLETION	STX-2875-0065-3403	NOTED
	10 FT SECTION	PAT-2875-047	L-80
		PAT-2875-C47	13 Cr
	5 FT SECTION	PAT-2875-050	L-80
		PAT-2875-C50	13 Cr
	34 INCH SECTION	PAT-2875-034	L-80
	22 INCH SECTION	PAT-2875-033	L-80
	16.5 INCH SECTION	PAT-2875-C18	13 Cr
	10 INCH SECTION	PAT-2875-012	L-80

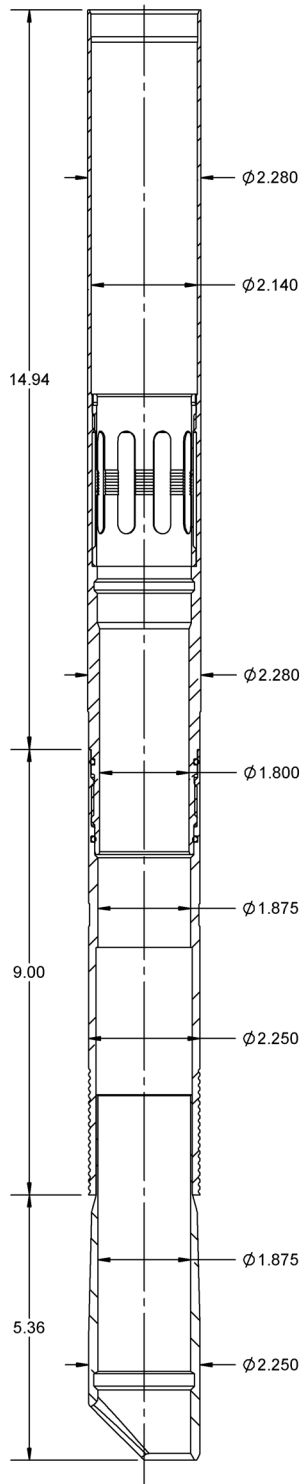
MINIMUM EQUIPMENT REQUIRED FOR A FULL SYSTEM CONSISTS OF ITEMS SHOWN

PRODUCT OFFERINGS:

The suspension X-SPAN® allows for long lengths of tubulars to be suspended below the sealing element, it also gives a large ID after setting which is a big advantage when it comes to production restrictions and subsequent wellbore accessibility. This system can be customized to fit an assortment of tools and is easily deployed with our conventional hydraulic or pyrotechnic setting equipment.

BENEFITS/CAPABILITIES:

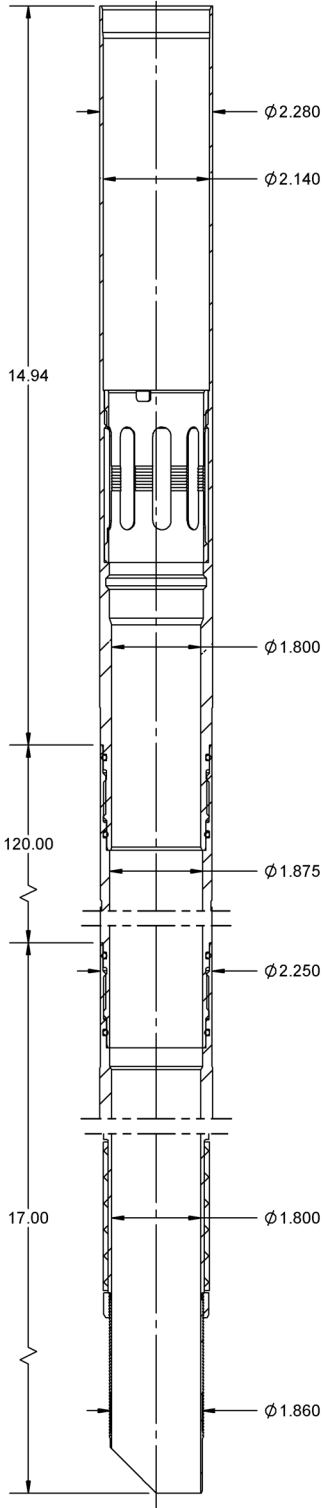
- Increased I.D. over conventional hanger systems
- Multiple crossover connection options and applications
- The system has excellent suspension load capabilities
- X-SPAN® suspension systems can be engineered to include:
  - Liners
  - Sand Control Screens
  - Velocity String
  - Profile Nipples
  - Sliding Sleeves which are just a few of the applications



CASING O.D. (IN)	2.875
CASING WT. (LB/FT)	6.5
CASING I.D. (IN)	2.441
PATCH MAX. RUNNING O.D. (IN)	2.280
PATCH I.D. AFTER SETTING (IN)	1.800
PATCH DRIFT I.D. (IN)	1.675
BURST HYDRAULIC RATING (PSI)	5400
COLLAPSE HYDRAULIC RATING (PSI)	5900

QTY.	DESCRIPTION	PART NUMBER	MATERIAL
	LOWER COMPLETION	STX-2875-0065-3100	NOTED
1	BOX ELEMENT	PAT-2875-C41	13 Cr
1	BOTTOM SWAGE	PAT-2875-C45	SUPER/HYPER CHROME
1	O-RING	OOO-V569-135	VITON
1	O-RING	OOO-V569-136	VITON
1	30K SHEAR RING	PAT-2875-048A	STL-12L4-150
1	SLEEVE NUT	SET-2125-120	4130 / 4140 / 4142
1	SLEEVE LOCK NUT	SET-2125-121	4130 / 4140 / 4142
1	QUICK CHANGE ROD	SET-2125-130	4340
1	QUICK CHANGE NUT	SET-2125-131	4340
1	TOP ADAPTER ROD	SET-2125-132	4130 / 4140 / 4142
1	ROD TANDEM CONNECTOR	SET-2125-133	4130 / 4140 / 4142
1	BOTTOM ROD	SET-2125-136	4130 / 4140 / 4142
1	COLLET	SET-2125-137	4130 / 4140 / 4142
1	COLLET SUPPORT	SET-2125-140	4130 / 4140 / 4142
1	LOWER SEAL BORE RECEIVER	STX-2875-0065-3130	SUPER/HYPER CHROME
1	LATCH COLLET 90 L/H	STX-2875-0065-3553	SUPER/HYPER CHROME
1	SETTING SLEEVE LOWER	SET-2125-122B	4140-4142
1	SETTING SLEEVE UPPER	SET-2125-122A	4140

MINIMUM EQUIPMENT REQUIRED



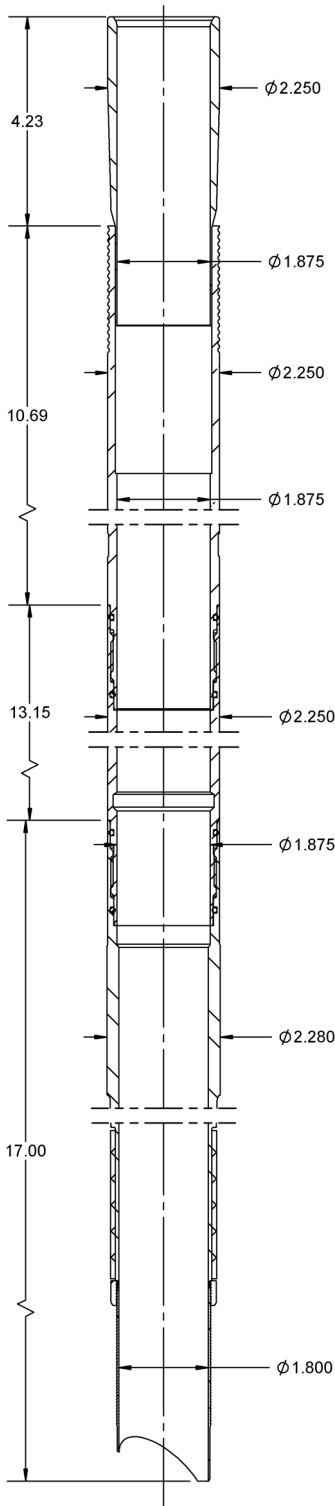
CASING O.D. (IN)	2.875
CASING WT. (LB/FT)	6.5
CASING I.D. (IN)	2.441
PATCH MAX. RUNNING O.D. (IN)	2.280
PATCH I.D. AFTER SETTING (IN)	1.800
PATCH DRIFT I.D. (IN)	1.675
BURST HYDRAULIC RATING (PSI)	5400
COLLAPSE HYDRAULIC RATING (PSI)	5900

QTY.	DESCRIPTION	PART NUMBER	MATERIAL
	LOWER STINGER SECTION	STX-2875-0065-3203	NOTED
1	LOWER STINGER	STX-2875-0065-3220	SUPER / HYPER CHROME
1	STANDARD SEAL BORE RECEIVER	STX-2875-0065-3530	SUPER / HYPER CHROME
OPT	10 FT SECTION	PAT-2875-C47	13 Cr
1	SEAL RET W/90 WICKER LH	STX-2875-0065-3555	13 Cr
1	LATCH COLLET 90 R/H	STX-2875-0065-3551	SUPER / HYPER CHROME
1	"V" SEAL STACK	STX-2875-0065-5500	ATR - VEE PACKING ASSEMBLY
2	O-RING	OOO-V569-135	VITON
2	O-RING	OOO-V569-136	VITON

QTY.	DESCRIPTION	PART NUMBER	MATERIAL
	STANDARD STINGER SECTION	STX-2875-0065-3603	NOTED
1	STANDARD STINGER	STX-2875-0065-3230	SUPER / HYPER CHROME
1	STANDARD SEAL BORE RECEIVER	STX-2875-0065-3530	SUPER / HYPER CHROME
OPT	10 FT SECTION	PAT-2875-C47	13 Cr
1	SEAL RET. W 90 WICKER	STX-2875-0065-3550	13 Cr
1	LATCH COLLET 90 R/H	STX-2875-0065-3551	SUPER / HYPER CHROME
1	"V" SEAL STACK	STX-2875-0065-5500	ATR - VEE PACKING ASSEMBLY
2	O-RING	OOO-V569-135	VITON
2	O-RING	OOO-V569-136	VITON

QTY.	DESCRIPTION	PART NUMBER	MATERIAL
	TOP STINGER SECTION	STX-2875-0065-3303	NOTED
1	STANDARD STINGER	STX-2875-0065-3230	SUPER / HYPER CHROME
1	TOP SEAL SEAL BORE RECEIVER	STX-2875-0065-3330	SUPER / HYPER CHROME
OPT	10 FT SECTION	PAT-2875-C47	13 Cr
1	SEAL RET. W 90 WICKER	STX-2875-0065-3550	13 Cr
1	LATCH COLLET (W/86 DEG R/H WICKER)	STX-2875-0065-3552	SUPER/HYPER CHROME
1	"V" SEAL STACK	STX-2875-0065-5500	ATR - VEE PACKING ASSEMBLY
2	O-RING	OOO-V569-135	VITON
2	O-RING	OOO-V569-136	VITON

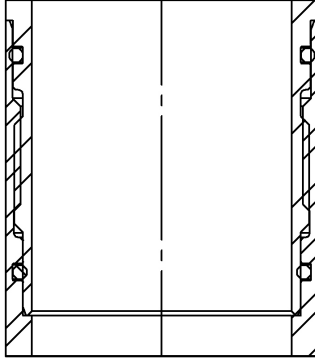
TECHNICAL INFORMATION:



CASING O.D. (IN)	2.875
CASING WT. (LB/FT)	6.5
CASING I.D. (IN)	2.441
PATCH MAX. RUNNING O.D. (IN)	2.280
PATCH I.D. AFTER SETTING (IN)	1.800
PATCH DRIFT I.D. (IN)	1.675
BURST HYDRAULIC RATING (PSI)	5400
COLLAPSE HYDRAULIC RATING (PSI)	5900

QTY.	DESCRIPTION	PART NUMBER	MATERIAL
	TOP COMPLETION	STX-2875-0065-3403	NOTED
1	PIN ELEMENT	PAT-2875-C40	13 Cr
1	TOP SWAGE	PAT-2875-C44	SUPER / HYPER CHROME
2	O-RING	OOO-V569-135	VITON
2	O-RING	OOO-V569-136	VITON
1	30K SHEAR RING	PAT-2875-048A	STL-12L4-150
1	SLEEVE NUT	SET-2125-120	4130 / 4140 / 4142
1	SLEEVE LOCK NUT	SET-2125-121	4130 / 4140 / 4142
1	SETTING SLEEVE	SET-2125-122	4130 / 4140 / 4142
1	QUICK CHANGE ROD	SET-2125-130	4340
1	QUICK CHANGE NUT	SET-2125-131	4340
1	TOP ADAPTER ROD	SET-2125-132	4130 / 4140 / 4142
1	ROD TANDEM CONNECTOR	SET-2125-133	4130 / 4140 / 4142
1	BOTTOM ROD	SET-2125-136	4130 / 4140 / 4142
1	COLLET	SET-2125-137	4130 / 4140 / 4142
1	COLLET SUPPORT	SET-2125-140	4130 / 4140 / 4142
1	PROFILE SUB	STX-2875-0065-3450	SUPER / HYPER CHROME
1	SEAL RET. W 86 DEG WICKER	STX-2875-0065-3554	13 Cr
1	"V" SEAL STACK	STX-2875-0065-5500	ATR - VEE PACKING ASSEMBLY
1	TOP STINGER	STX-2875-0065-3340	SUPER / HYPER CHROME

**SECTION SPECIFICATIONS:**



SECTION SPECIFICATIONS				
PART NUMBER	LENGTH (INCHES)	OAL (INCHES)	WEIGHT (LBS.)	MATERIAL
PAT-2875-047	120	122.13	40.5	L-80
PAT-2875-C47	120	122.13	40.5	13 Cr
PAT-2875-050	60	62.13	20.3	L-80
PAT-2875-C50	60	62.13	20.3	13 Cr
PAT-2875-034	34	36.13	13.8	L-80
PAT-2875-033	22	24.13	8.9	L-80
PAT-2875-C18	16.5	18.63	6.1	13 Cr
PAT-2875-012	10	12.13	4.1	L-80

PATCH TENSILE RATING	30,000 LBF
----------------------	------------

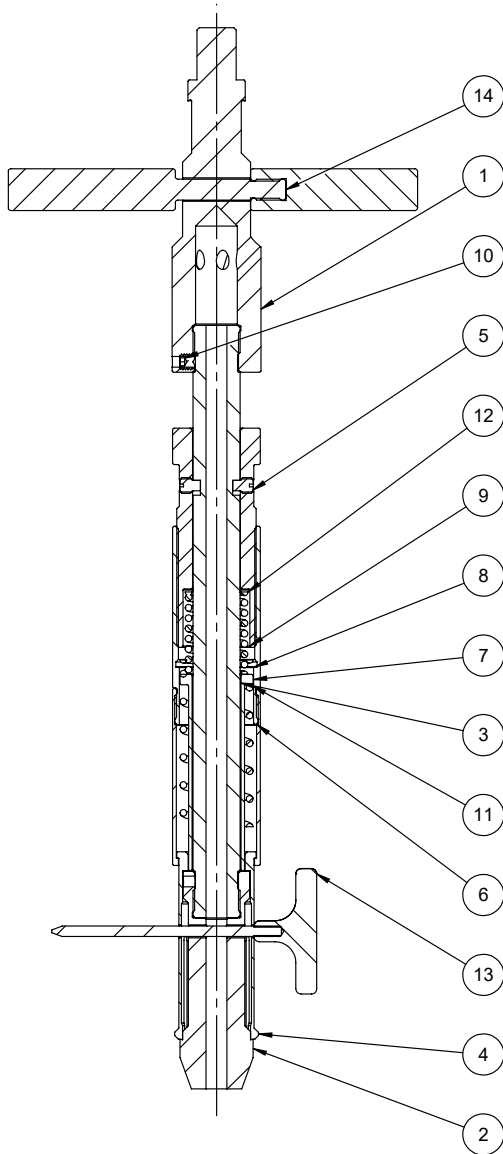
**SYSTEM WEIGHTS**

WITHOUT SECTIONS	WEIGHT (LBS.)
STX-2875-0065-3100	25.2
STX-2875-0065-3203	60.4
STX-2875-0065-3303	60.4
STX-2875-0065-3603	60.4
STX-2875-0065-3403	32.3

**SETTING TOOL OPTIONS:**

PYROTECHNIC		WEIGHT (LBS)
2-1/8 INCH MULTISTAGE SETTING TOOL		54
BOTTOM ADAPTER	SET-2125-014	
POWER CHARGE	JEC-5334-104	
	JEC-0212-044	
IGNITER	DET-5306-074	
	DET-5306-008	

TECHNICAL  
INFORMATION:



ITEM NO.	PART NUMBER	DESCRIPTION	QTY.
1	DRT-2875-0065-1060	TOP DRIFT CONNECTION	1
2	DRT-2875-0065-1010	MANDREL NOSE	1
3	DRT-2875-0065-1080	INNER MANDREL	1
4	DRT-2875-0065-1020	LOCKING COLLET	1
5	DRT-2875-0065-1661	3/8-16 DOG NOSE 1/2 INCH	4
6	DRT-2875-0065-1030	COLLET HOUSING	1
7	DRT-2875-0065-1040	SPRING STOP	1
8	DRT-2875-0065-1070	COLLET HOUSING SUB	1
9	DRT-2875-0065-1050	SCREW HOUSING	1
10	PUR-0500-078	SOCKET HEAD CAP SCREW	1
11	ST-010-2875-1001	COLLET SPRING	1
12	ST-010-2875-1002	RELEASE SPRING	1
13	DRT-5500-0230-0010	INSTALLATION TOOL	1
	DRT-5500-0230-0011	SUPPORT ROD	1
	DRT-5500-0230-0012	HANDLE	1
14	DRT-3500-0093-0020	HANDLING TOOL	1
	DRT-3500-0093-0021	PIN HANDLE	1
	DRT-5500-0230-0022	BOX HANDLE	1