

TECHNICAL INFORMATION:

STX-3500-0093-3003, 3.5 INCH, 9.2 - 9.3 PPF.



CASING O.D. (IN)	3.500
CASING WT. (LB/FT)	9.3
CASING I.D. (IN)	2.992
PATCH MAX. RUNNING O.D. (IN)	2.720
PATCH I.D. AFTER SETTING (IN)	2.200
PATCH DRIFT I.D. (IN)	2.075
BURST HYDRAULIC RATING (PSI)	3500
COLLAPSE HYDRAULIC RATING (PSI)	3500

QTY.	DESCRIPTION	PART NUMBER	MATERIAL
	STX-SPAN SYSTEM	STX-3500-0093-3003	NOTED
1	LOWER COMPLETION	STX-3500-0093-3103	NOTED
1	LOWER STINGER ASSEMBLY	STX-3500-0093-3203	NOTED
1	TOP STINGER ASSEMBLY	STX-3500-0093-3303	NOTED
OPT	STANDARD STINGER ASSEMBLY	STX-3500-0093-3603	NOTED
1	TOP COMPLETION	STX-3500-0093-3403	NOTED
	10 FT SECTION	SPC-3500-0093-1010	L-80
		SPC-3500-0093-2010	13 Cr
	5 FT SECTION	SPC-3500-0093-1005	L-80
		SPC-3500-0093-2005	13 Cr
	16.5 INCH SECTION	SPC-3500-0093-1002	L-80
		SPC-3500-0093-2002	13 Cr

MINIMUM EQUIPMENT REQUIRED FOR A FULL SYSTEM CONSISTS OF ITEMS SHOWN

PRODUCT OFFERINGS:

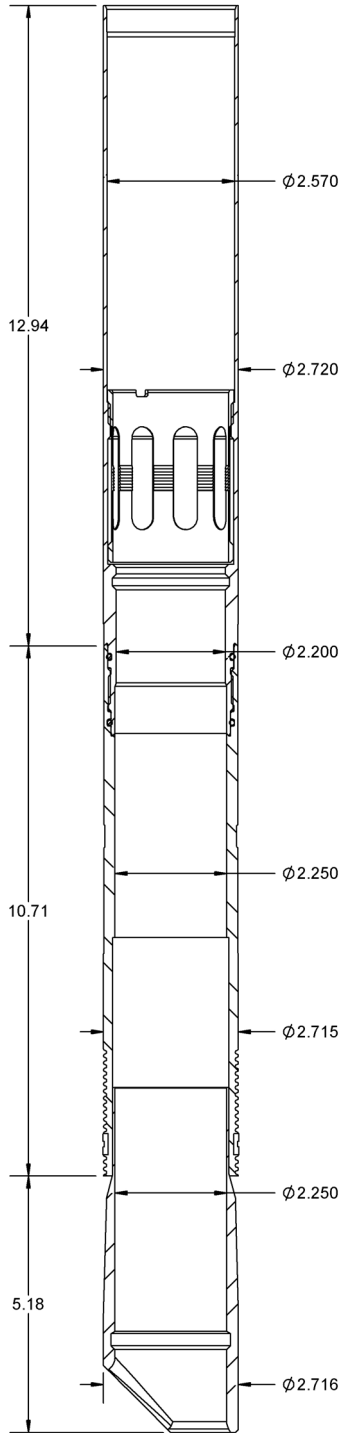
Our stackable X-SPAN® products allow for long straddle systems to be deployed into a live well control situation in multiple runs using wire-line, slick line, coil tubing or conventional tubing. The stackable system can utilize the X-SPAN® or GTX-SPAN® elements to isolate the top and bottom of the intended zone, while specially engineered seal assemblies are utilized between each sequential intermediate section. This technology allows for extremely long isolation systems to be deployed when lubricator length or well accessibility is an issue.

BENEFITS/CAPABILITIES:

- Can be deployed on wire line, slick line, coil tubing or jointed pipe.
- High pressure and high temperature applications.
- Unlimited lengths can be straddled
- Can incorporate standard off-the-shelf customer supplied tubulars as straddle base pipe material.
- Can incorporate sand screens, slotted liner, flow control devices such as profile nipples and sliding sleeves.

TECHNICAL INFORMATION:

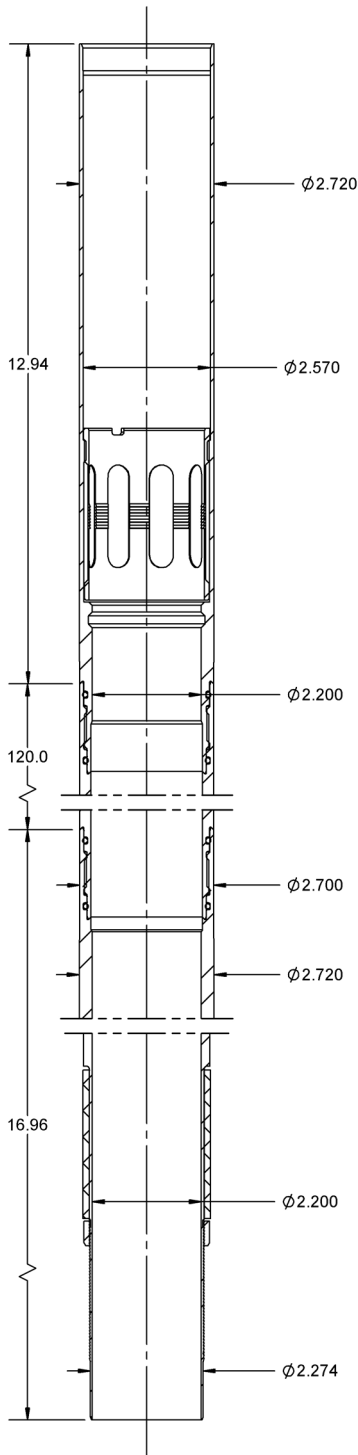
STX-3500-0093-3003 - Lower Completion



CASING O.D. (IN)	3.500
CASING WT. (LB/FT)	9.3
CASING I.D. (IN)	2.992
PATCH MAX. RUNNING O.D. (IN)	2.720
PATCH I.D. AFTER SETTING (IN)	2.200
PATCH DRIFT I.D. (IN)	2.075
BURST HYDRAULIC RATING (PSI)	3500
COLLAPSE HYDRAULIC RATING (PSI)	3500

QTY.	DESCRIPTION	PART NUMBER	MATERIAL
	LOWER COMPLETION	STX-3500-0093-3103	NOTED
1	LOWER SEAL BORE RECEIVER	STX-3500-0093-3130	SUPER / HYPER CHROME
1	WICKER LATCH COLLET	STX-3500-0093-3553	SUPER / HYPER CHROME
1	BOX ELEMENT ASSEMBLY	SPC-3500-0093-2413	NOTED
	BOX ELEMENT	SPC-3500-0093-2410A	304L STAINLESS
	SEAL		HNBR
1	BOTTOM SWAGE	SPC-3500-0093-2310	17-4 PH STAINLESS
1	O-RING	OOO-V569-142	VITON
1	O-RING	OOO-V569-143	VITON
1	42 - 43K SHEAR RING	PAT-3500-743	STL-12L14
1	SETTING SLEEVE LOWER	SET-2125-163B	4140 / 4142
1	SETTING SLEEVE UPPER	SET-2125-163A	4140 / 4142
1	SLEEVE NUT	SET-2687-130	4140 / 4142
1	SLEEVE LOCK NUT	SET-2125-121	4130 / 4140 / 4142
1	QUICK CHANGE NUT	SET-2687-131	4130 / 4140 / 4142
1	QUICK CHANGE ROD	SET-2125-130	4340
1	QUICK CHANGE NUT	SET-2125-131	4340
1	TOP ADAPTER ROD	SET-2125-132	4130 / 4140 / 4142
1	ROD TANDEM CONNECTOR	SET-2125-133	4130 / 4140 / 4142
1	BOTTOM ROD	SET-2125-136	4130 / 4140 / 4142
1	COLLET ASSEMBLY	SET-2125-165	NOTED
	COLLET	SET-2125-167	4130 / 4140 / 4142
	END SUB	SET-2125-166	4130 / 4140 / 4142
1	COLLET SUPPORT	SET-2125-155A	4140 / 4130

TECHNICAL INFORMATION:



CASING O.D. (IN)	3.500
CASING WT. (LB/FT)	9.3
CASING I.D. (IN)	2.992
PATCH MAX. RUNNING O.D. (IN)	2.720
PATCH I.D. AFTER SETTING (IN)	2.200
PATCH DRIFT I.D. (IN)	2.075
BURST HYDRAULIC RATING (PSI)	3500
COLLAPSE HYDRAULIC RATING (PSI)	3500

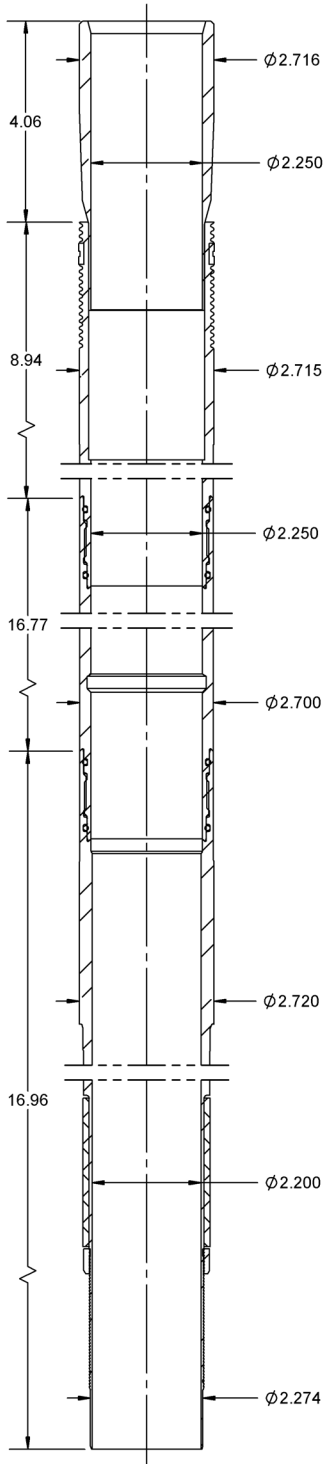
QTY.	DESCRIPTION	PART NUMBER	MATERIAL
1	LOWER STINGER ASSEMBLY	STX-3500-0093-3203	NOTED
1	STANDARD STINGER W/ LH	STX-3500-0093-3220	SUPER/HYPER CHROME
1	STANDARD RECEIVER	STX-3500-0093-3530	SUPER/HYPER CHROME
OPT	10 FT SECTION	SPC-3500-0093-2010	13 Cr
1	SEAL RETAINER RING L/H	STX-3500-0093-3555	13 Cr
1	WICKER LATCH COLLET	STX-3500-0093-3551	SUPER/HYPER CHROME
1	"V" SEAL STACK	STX-3500-0093-5500	ATR - VEE PACKING ASSEMBLY
2	O-RING	OOO-V569-142	VITON
2	O-RING	OOO-V569-143	VITON
1	DEPLOYMENT AND RETRIEVAL TOOL	DRT-3500-0093-2001	N/A

QTY.	DESCRIPTION	PART NUMBER	MATERIAL
1	STANDARD STINGER ASSEMBLY	STX-3500-0093-3603	NOTED
1	STANDARD STINGER	STX-3500-0093-3230	SUPER/HYPER CHROME
1	STANDARD RECEIVER	STX-3500-0093-3530	SUPER/HYPER CHROME
OPT	10 FT SECTION	SPC-3500-0093-2010	13 Cr
1	SEAL RETAINER RING	STX-3500-0093-3550	13 Cr
1	WICKER LATCH COLLET	STX-3500-0093-3551	SUPER/HYPER CHROME
1	"V" SEAL STACK	STX-3500-0093-5500	ATR - VEE PACKING ASSEMBLY
2	O-RING	OOO-V569-142	VITON
2	O-RING	OOO-V569-143	VITON
1	DEPLOYMENT AND RETRIEVAL TOOL	DRT-3500-0093-2001	N/A

QTY.	DESCRIPTION	PART NUMBER	MATERIAL
1	TOP STINGER ASSEMBLY	STX-3500-0093-3303	NOTED
1	STANDARD STINGER	STX-3500-0093-3230	SUPER/HYPER CHROME
1	TOP RECEIVER	STX-3500-0093-3330	SUPER/HYPER CHROME
OPT	10 FT SECTION	SPC-3500-0093-2010	13 Cr
1	SEAL RETAINER RING	STX-3500-0093-3550	13 Cr
1	WICKER LATCH COLLET	STX-3500-0093-3552	SUPER/HYPER CHROME
1	"V" SEAL STACK	STX-3500-0093-5500	ATR - VEE PACKING ASSEMBLY
2	O-RING	OOO-V569-142	VITON
2	O-RING	OOO-V569-143	VITON
1	DEPLOYMENT AND RETRIEVAL TOOL	DRT-3500-0093-2001	N/A

TECHNICAL INFORMATION:

STX-3500-0093-3003 - Top Completion

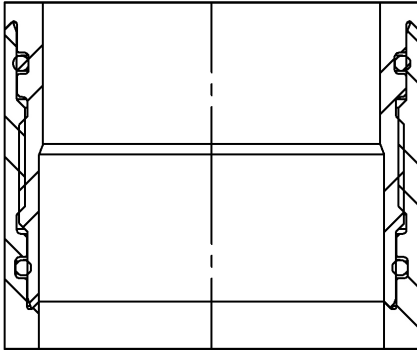


CASING O.D. (IN)	3.500
CASING WT. (LB/FT)	9.3
CASING I.D. (IN)	2.992
PATCH MAX. RUNNING O.D. (IN)	2.720
PATCH I.D. AFTER SETTING (IN)	2.200
PATCH DRIFT I.D. (IN)	2.075
BURST HYDRAULIC RATING (PSI)	3500
COLLAPSE HYDRAULIC RATING (PSI)	3500

QTY.	DESCRIPTION	PART NUMBER	MATERIAL
	TOP COMPLETION	STX-3500-0093-3403	NOTED
1	PIN ELEMENT ASSEMBLY	SPC-3500-0093-2213	SPC-3500-0093-2210A
	PIN ELEMENT	SPC-3500-0093-2210A	304L SOLUTION ANEALD
	SEAL		HNBR
1	TOP SWAGE	SPC-3500-0093-2110	17-4 PH STAINLESS
2	O-RING	OOO-V569-142	VITON
2	O-RING	OOO-V569-143	VITON
1	42 - 43K SHEAR RING	PAT-3500-743	STL-12L14
1	SLEEVE NUT	SET-2687-130	4140 / 4142
1	SLEEVE LOCK NUT	SET-2125-121	4130 / 4140 / 4142
1	SETTING SLEEVE	SET-2125-160	4140
1	QUICK CHANGE NUT	SET-2687-131	4130 / 4140 / 4142
1	QUICK CHANGE ROD	SET-2125-130	4340
1	QUICK CHANGE NUT	SET-2125-131	4340
1	TOP ADAPTER ROD	SET-2125-132	4130 / 4140 / 4142
1	ROD TANDEM CONNECTOR	SET-2125-133	4130 / 4140 / 4142
1	BOTTOM ROD	SET-2125-136	4130 / 4140 / 4142
1	COLLET ASSEMBLY	SET-2125-165	NOTED
	COLLET	SET-2125-167	4130 / 4140 / 4142
	END SUB	SET-2125-166	4130 / 4140 / 4142
1	COLLET SUPPORT	SET-2125-155A	4130 / 4140
1	PROFILE SUB	STX-3500-0093-3450	SUPER/HYPER CHROME
1	SEAL RETAINER RING R/H	STX-3500-0093-3554	13 Cr
1	"V" SEAL STACK	STX-3500-0093-5500	ATR - VEE PACKING ASSEMBLY
1	TOP STINGER	STX-3500-0093-3340	SUPER/HYPER CHROME

TECHNICAL INFORMATION:

STX-3500-0093-3003 - Specification



PART NUMBER	LENGTH (INCHES)	OAL (INCHES)	WEIGHT (LBS.)	MATERIAL
SPC-3500-0093-1002	16.5	18.32	8.1	L-80
SPC-3500-0093-2002	16.5	18.32	8.1	13 Cr
SPC-3500-0093-1005	60	61.82	29.6	L-80
SPC-3500-0093-2005	60	61.82	29.6	13 Cr
SPC-3500-0093-1010	120	121.82	59.2	L-80
SPC-3500-0093-2010	120	121.82	59.2	13 Cr
PATCH TENSILE RATING		27,000 LBF		

SYSTEM WEIGHTS

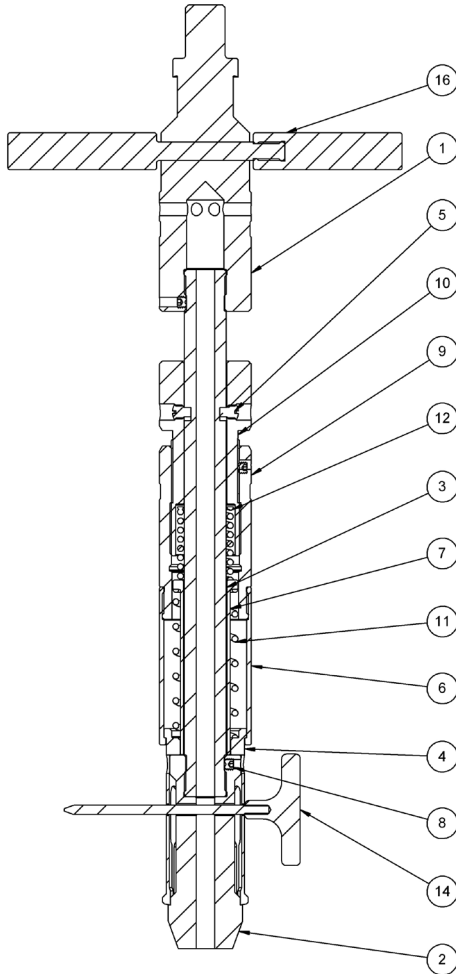
WITHOUT SECTIONS	WEIGHT (LBS.)
STX-3500-0093-3103	43
STX-3500-0093-3203	89.13
STX-3500-0093-3303	89.13
STX-3500-0093-3603	89.13
STX-3500-0093-3403	48.64

SETTING TOOL OPTIONS:

HYDRAULIC			WEIGHT (LBS)
SET-2687-200	2-11/16 HYDRAULIC		150
	SCREEN SUB	OT0798-288A-000	
	CIRCULATION SUB	SET-2875-010	
	DUMP SUB	SET-2125-200	

PYROTECHNIC			WEIGHT (LBS)
SET-2687-101	2-11/16 MSST		90
	POWER CHARGE	JEC-5334-104	
		JEC-0212-044	
	IGNITER	DET-5306-074	
		DET-5306-008	

TECHNICAL
INFORMATION:



ITEM NO.	DESCRIPTION	PART NUMBER	QTY.
1	TOP DRIFT CONNECTION	DRT-3500-0093-2060	1
2	MANDREL NOSE	DRT-3500-0093-2010	1
3	INNER MANDREL	DRT-2875-0065-1080	1
4	LOCKING COLLET	DRT-3500-0093-2020	1
5	3/8-16 DOG NOSE 1/2 INCH	DRT-2875-0065-1661	4
6	COLLET HOUSING	DRT-3500-0093-2030	1
7	SPRING STOP	DRT-2875-0065-1040	1
8	SET SCREW 5/16X18X1/4 LONG	PUR-0501-061	3
9	COLLET HOUSING SUB	DRT-3500-0093-2070	1
10	SCREW HOUSING	DRT-3500-0093-2050	1
11	COLLET SPRING	ST-010-2875-1001	1
12	RELEASE SPRING	ST-010-2875-1002	1
13	INSTALLATION TOOL	DRT-5500-0230-0010	1
	SUPPORT ROD	DRT-5500-0230-0011	1
	HANDLE	DRT-5500-0230-0012	1
14	HANDLING TOOL	DRT-5500-0230-0020	1
	PIN HANDLE	DRT-5500-0230-0021	1
	BOX HANDLE	DRT-5500-0230-0022	1