

Description

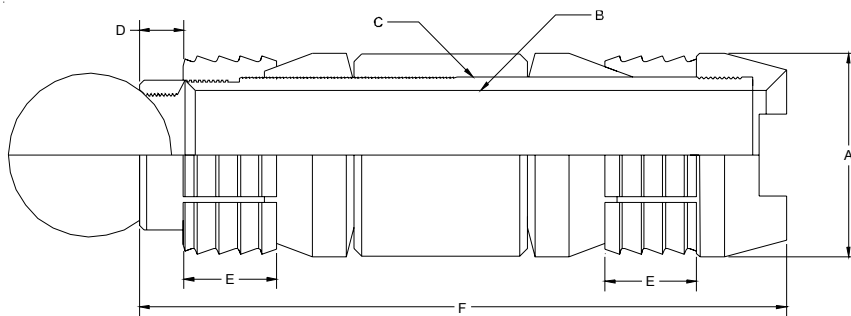
The Owen Big Bore Frac Plug is a compact unit designed for multi-zone isolation. It features a large diameter bore that extends through the plug, and retains the Disc conventional two slip design.

Benefits / Capabilities

- The large 2-3/8" I.D. makes it perfect for use in conjunction with the Owen Type B Frac plug. The smaller plug uses a two inch ball that will easily flow back through the I. D. of the Big Bore Plug.
- The Big Bore Frac Plug is designed with the capability to isolate multiple zones.

Specifications

Casing		Big Bore Frac Plug Part No.	Plug O.D.	Setting Range		Setting Force (lbs.)	Owen 3-1/2" Setting Adapters		
O.D.	Weight			MIN.	MAX.		Setting Sleeve	Adapter Rod	Setting Nut
4.5	9.5-16.6	PLG-3710-070	3.71	3.826	4.09	30,000	SET-5303-141	SET-5303-093	SET-5307-079



DIMENSIONAL DATA (INCHES)

PLUG PART NO.	A	B	C	D	E	F	BALL DIA.
PLG-3710-070	3.71	2.375	2.875	0.78	1.375	10.25	3.0

