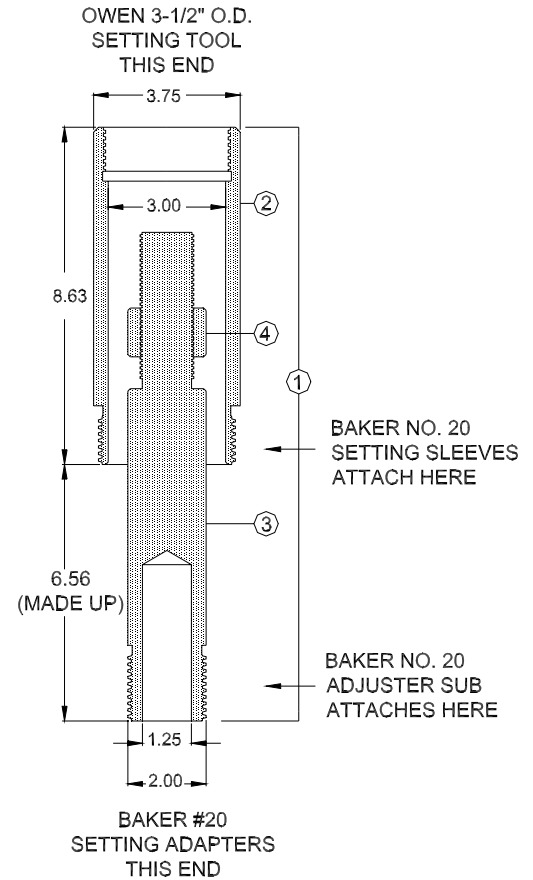
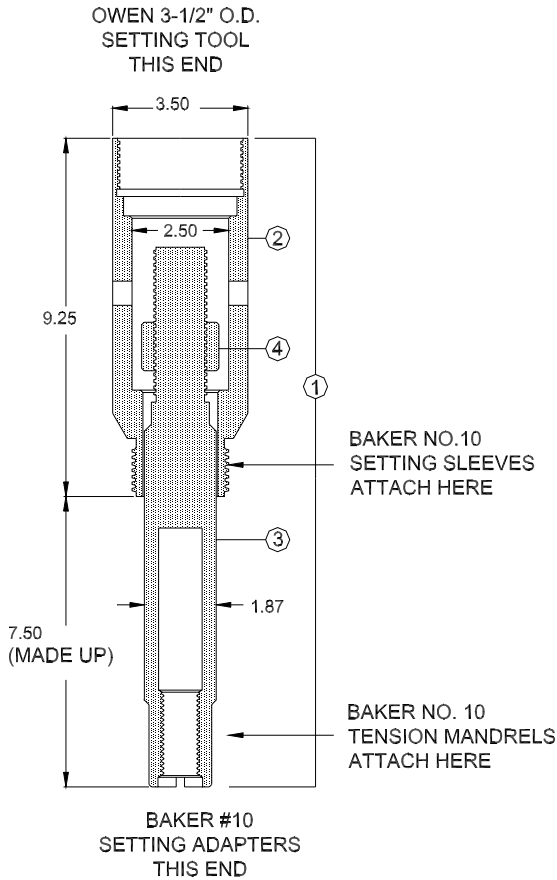




These adapter kits attach to the bottom of OWEN 3-1/2" O.D. wireline pressure setting tools and convert the tool to accept BAKER NO. 10 and 20 setting adapters.

OWEN 3-1/2" TO BAKER NO. 10
 ASSY. SET-5303-117

OWEN 3-1/2" TO BAKER NO. 20
 ASSY. SET-5303-120



ITEM	DESCRIPTION
1 SET-5303-117	ASSY.- BAKER #10 ADAPT, KIT
2 SET-5303-118	ADAPTER SLEEVE
3 SET-5303-119	ADAPTER ROD
4 SET-3500-025	LOCK NUT

ITEM	DESCRIPTION
1 SET-5303-120	ASSY. - BAKER #20 ADAPT. KIT
2 SET-5303-121	ADAPTER SLEEVE
3 SET-5303-122	MANDREL
4 SET-3500-025	LOCK NUT

Caution:

This Kit Can Only Be Used To Set Baker Products Whose Tension Mandrels Will Pass Freely And Completely Through The I.D. Of Lower End Of Adapter Sleeve SET-5303-118 (Item #2 Above).

This Is Because 3-1/2" O.D. Set Tools Have More Stroke Length Than Baker No. 10 SET. Tools And Therefore Will Pull Some Tension Mandrels Too Far and Damage Will Occur.