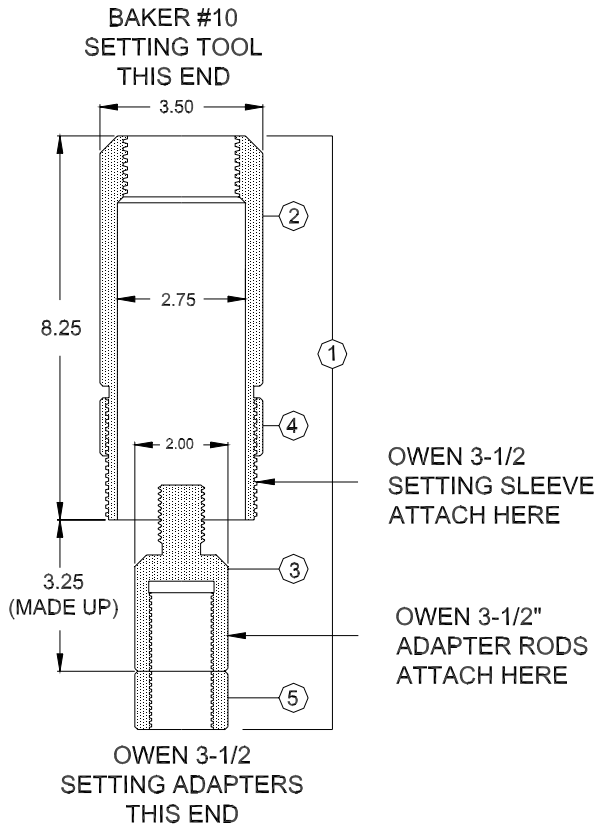


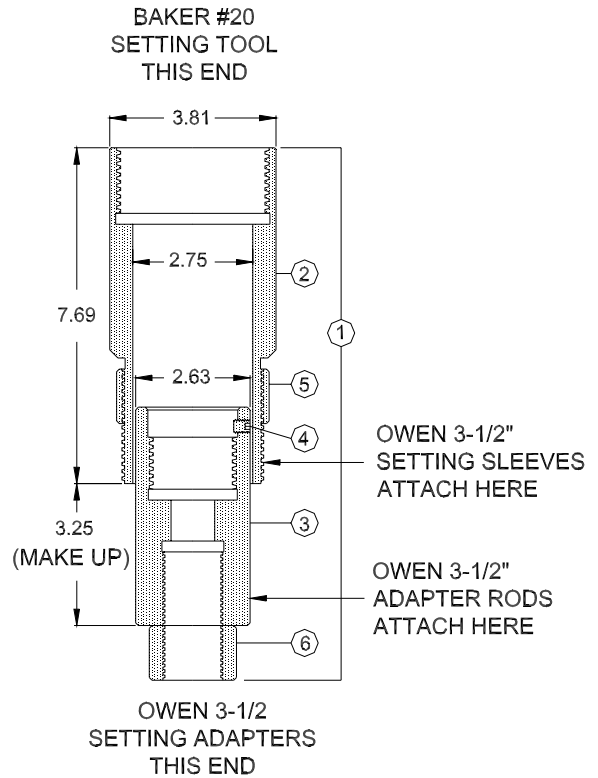


These adapter kits attach to the bottom of
BAKER NO. 10 and 20 wireline pressure setting tools
and convert the tools to accept OWEN 3-1/2" O.D. setting adapters.

**BAKER NO. 10 TO OWEN 3-1/2"
ASSY. SET-5307-042**



**BAKER NO. 20 TO OWEN 3-1/2"
ASSY. SET-5303-076**



ITEM	DESCRIPTION
1 SET-5307-042	ASSY. - BAKER #10 ADPT. KIT
2 SET-5307-043	ADAPTER SLEEVE
3 SET-5307-044	ADAPTER SUB
4 SET-3500-009	LOCK RING
5 SET-3500-025	LOCK NUT

ITEM	DESCRIPTION
1 SET-5303-076	ASSY. - BAKER #20 ADPT. KIT
2 SET-5303-044	ADAPTER SLEEVE
3 SET-5303-045	ADAPTER SUB
4 CPSS-0031-18-0038	SOC, SET SCR. 5/16-18X3/8 LG
5 SET-3500-009	LOCK RING
6 SET-3500-025	LOCK NUT