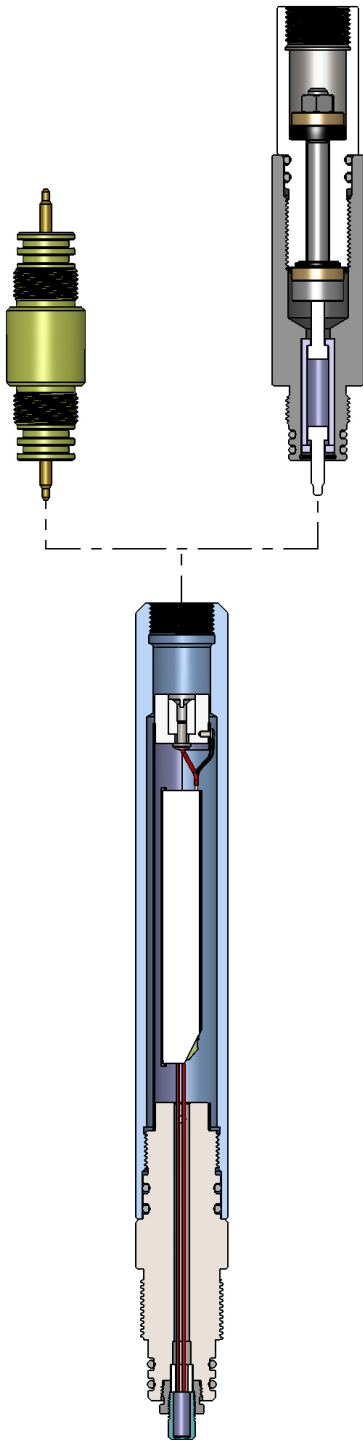


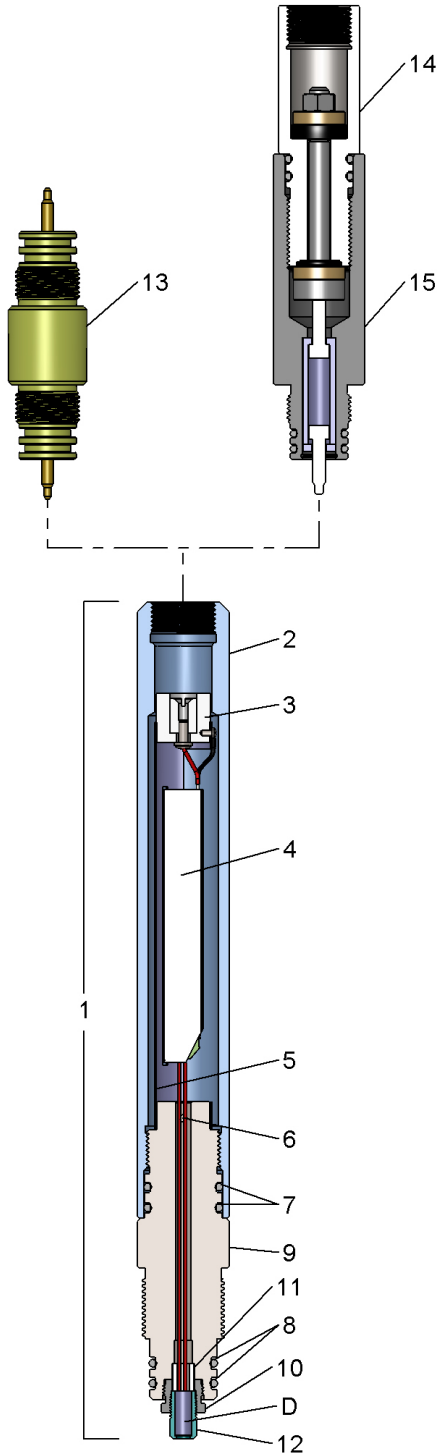
INTRODUCTION

The ADP-PX16-160 is a Safe Fire Initiation System that utilizes the PX-1 Fireset (with exploding bridgewire technology) to initiate RTG Gun Systems and small TAG Gun Systems with Owen Det Bodies. This system utilizes a sealed system to ensure high pressure wellbore fluids do not migrate into wireline string.

Incorporation of the EBW detonator into the Firing Systems adds increased safety against rig-site hazards such as RF transmitter, cathodic protection, and stray voltages. The PX-1 EBW fireset allows normal oilfield operation to continue while perforating and other completion services are being performed.

All safety rules and regulations should be strictly followed when storing, handling, assembling, and using these tools and /or detonators. Safety precautions should be taken in accordance with your company's safety policies, governmental regulations, and the American Petroleum Institute Recommended Practice 67 (API RP-67)





ITEM	PART NO.	DESCRIPTION
1	ADP-PX16-160	Assembly, Owen Det Bodies, PX-1 Firing System
2	ADP-PX16-102	Top Housing
3	ADP-PX16-107	Contact Assembly
4	PUR-0610-008	PX-1 Fireset with Wire Outputs
5	SEV-1375-250	Carriage, PX1 Fireset
6	PUR-0509-040	6-32 x 1/4 Pan Head Screw - 2 Required
7	OOO-V569-217	O-Ring, Viton - 2 Required
8	OOO-V569-214	O-Ring, Viton - 2 Required
9	TC-010-0001-PX1	Detonator Housing
10	TC-010-0002-PX1	Detonator Housing Nose
11	ADP-PX16-123	Spacer, 3/8" OD x 0.218" ID x 1/2" Lg.
12	TCP-0100-247GD	Detonator Holder
*13	AES-8079	Internal Sealed Contact Sub
14	AES-A580005	1-1/2" HP Firing Head (Sold Separately)
15	ADP-PX16-245	Sub Assembly, Double Contact, 1-11/16" OD (Sold Separately)
D	EBW-RISI-800	EBW - RDX Detonator (Sold Separately)
	ADX-PX16-161	Redress Kit for EBW - RDX Detonator, Includes Items 3, 4, 5, 6, 7, 8, 10, 11, 12

*Item 13 can be interchanged with Items 14 & 15 to provide a sealed contact at the top of the assembly.

Reference Manual: MAN-PX1-012

To use this system with the Green Det™ see the catalog page for ADP-PX16-165 or MAN-PX1-014



Note: To fire DC (+); connect the white/black wire to ground and connect the red wire to hot when using the EBW-RISI-800.