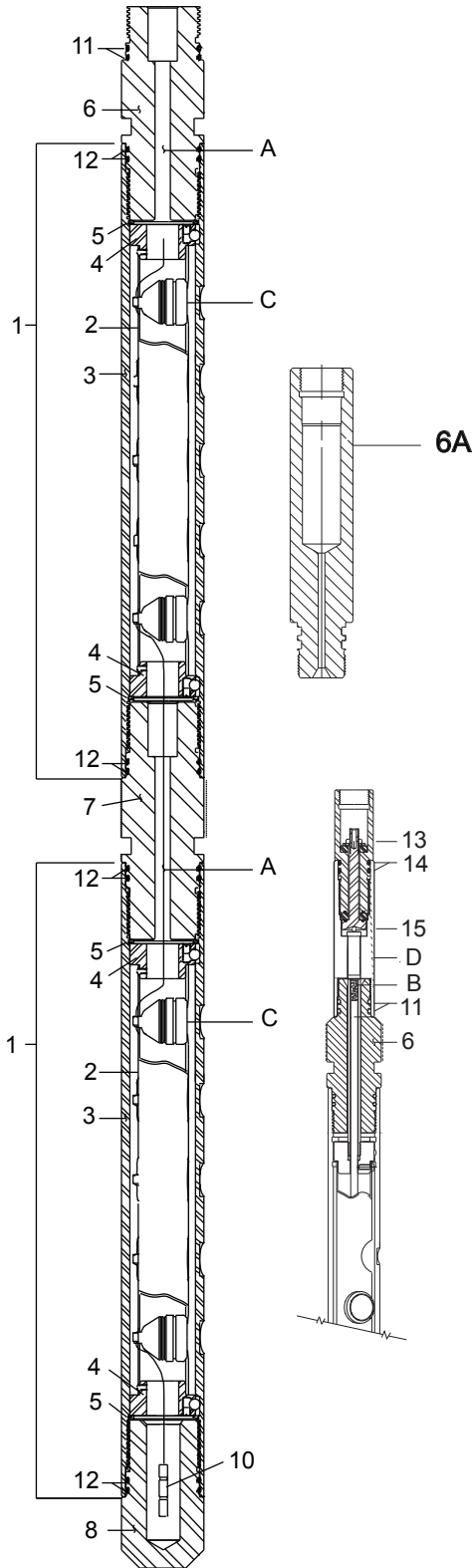


**BILL OF MATERIALS:**



ITEM	PART NO.	DESCRIPTION
1	S25-0433-A21A	Shipping Assy, 2-1/2" x 21', 4 spf, 60° Spiral
	S25-0433-A15A	Shipping Assy, 2-1/2" x 15', 4 spf, 60° Spiral
	S25-0433-A11A	Shipping Assy, 2-1/2" x 11', 4 spf, 60° Spiral
	S25-0433-A07A	Shipping Assy, 2-1/2" x 7', 4 spf, 60° Spiral
	S25-0433-A04A	Shipping Assy, 2-1/2" x 4', 4 spf, 60° Spiral
2	RTG-2500-035	Tube Strip, 21', 4 spf, 60° Spiral
	RTG-2500-034	Tube Strip, 15', 4 spf, 60° Spiral
	RTG-2500-033	Tube Strip, 11', 4 spf, 60° Spiral
	RTG-2500-032	Tube Strip, 7', 4 spf, 60° Spiral
	RTG-2500-031	Tube Strip, 4', 4 spf, 60° Spiral
3	TAG-2500-090	Carrier 2-1/2" x 21', 4 spf, 60° Spiral
	TAG-2500-089	Carrier 2-1/2" x 15', 4 spf, 60° Spiral
	TAG-2500-088	Carrier 2-1/2" x 11', 4 spf, 60° Spiral
	TAG-2500-087	Carrier 2-1/2" x 7', 4 spf, 60° Spiral
	TAG-2500-086	Carrier 2-1/2" x 4', 4 spf, 60° Spiral
4	TAG-2500-159	End Plate (1)
	TAG-2500-159P	End Plate W/Pin (1)
5	TAG-2500-075	Carrier Snap Ring (2)
6	TAG-2500-280	Top Sub 2-1/2"
6A	TAG-2500-112	Top Sub 2-1/2" Wireline Systems
7	TAG-2500-281	Tandem Sub 2-1/2"
8	TAG-2500-078	Bull Plug 2-1/2"
9	RTG-0100-275	Booster Transfer Kit
10	DET-0010-001	Detonating Cord End Cover
11	OOO-N569-215	O-Ring, #215, 90 Duro Nitrile - see ref. section
	OOO-V569-215	O-Ring, #215, 90 Duro Viton - see ref. section
12	OOO-N569-225	O-Ring, #225, 90 Duro Nitrile - see ref. section
	OOO-V569-225	O-Ring, #225, 90 Duro Viton - see ref. section
13	AES-AS80005	Firing Adapter Assy., 1.50 O.D.
14	OOO-N569-214	O-Ring, #214, 90 Duro Nitrile - see ref. section
	OOO-V569-214	O-Ring, #214, 90 Duro Viton - see ref. section
15	AES-4244	Shooting Adapter Assy., 1-11/16" O.D.
A	A538010	Detonating Cord, 40 gr. RDX LS, Ribbon
	A545010	Detonating Cord, 40 gr. HMX LS, Ribbon
B	DET-3050-429	Bi-Directional Booster
	DET-0010-006	40 grain rubber grommet - to std Bi-Directional Booster
C	SDP-2500-402NT3	Charge, HMX, SDP - NT3 - HERO™
	TAG-2500-402NT	Charge, HMX, SDP
	RTG-2500-401BH	Charge, HMX, BH
	TAG-2500-401F	Charge, HMX, BH
	TAG-2375-301BH	Charge, RDX, BH
D	--	Detonator - (See Det. Reference Section)

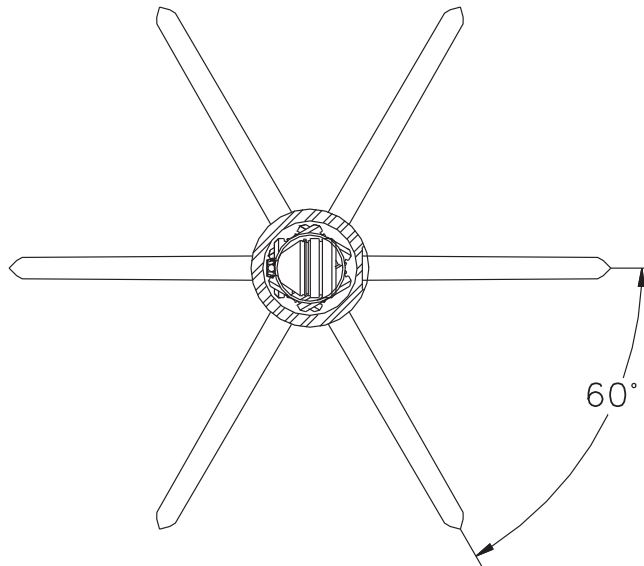
PRODUCT INFORMATION:

2-1/2" O.D. 4 spf, 60° Spiral, BH, DP, SDP - Raptor™ & NT3

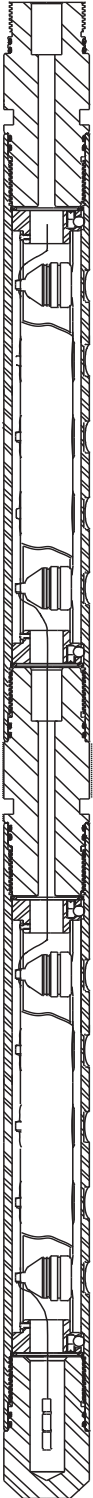
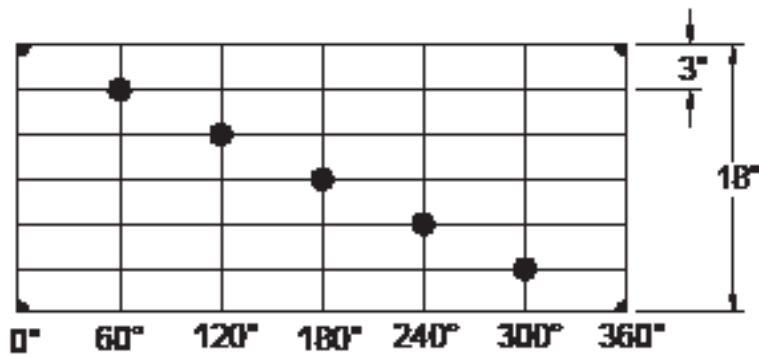
SPECIFICATIONS:

SPECIFICATIONS		
PRESSURE RATING	155.1 MPa	22,500 psi
TEMPERATURE	UP To 260°C	UP TO 500°F
TENSILE STRENGTH	71,000 daN	160,000lbs
CARRIER THREAD	2-1/8" - 8 STUB ACME	
GUN WEIGHT LOADED	11.1 KG/M	7.45 LB/FT
TORSIONAL YIELD	3 000 N•m	2,250 lb-ft

PHASE:



SHOT PLOT:



**Note:** Guns are available in standard lengths from 2 through 21 ft.  
Gun lengths in increments of 0.5 ft are available by special order only.