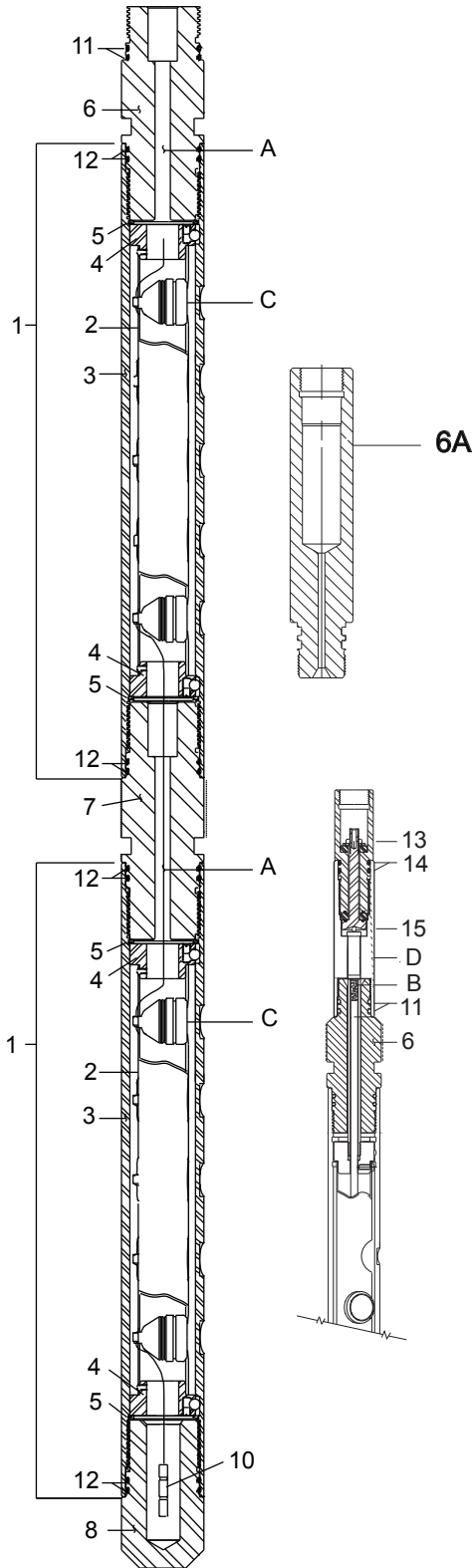


BILL OF MATERIALS:

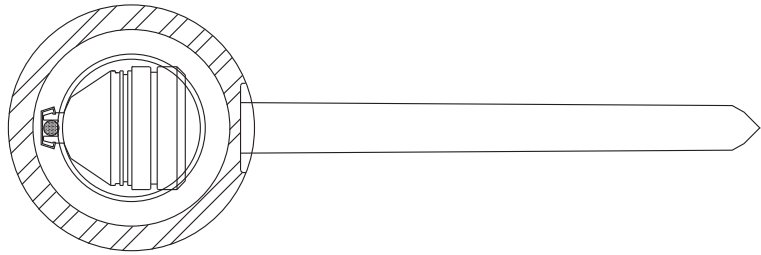
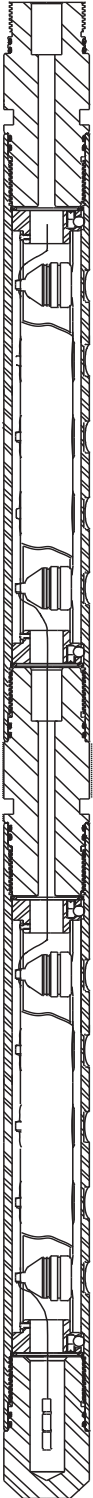


ITEM	PART NO.	DESCRIPTION
1	S25-0433-O21A	Shipping Assy, 2-1/2" X 21', 4 spf, 0°
	S25-0433-O15A	Shipping Assy, 2-1/2" X 15', 4 spf, 0°
	S25-0433-O11A	Shipping Assy, 2-1/2" X 11', 4 spf, 0°
	S25-0433-O07A	Shipping Assy, 2-1/2" X 7', 4 spf, 0°
	S25-0433-O04A	Shipping Assy, 2-1/2" X 4', 4 spf, 0°
2	T16-0433-O21	Tube Strip, 21', 4 spf, 0°
	T16-0433-O15	Tube Strip, 15', 4 spf, 0°
	T16-0433-O11	Tube Strip, 11', 4 spf, 0°
	T16-0433-O07	Tube Strip, 7', 4 spf, 0°
	T16-0433-O04	Tube Strip, 4', 4 spf, 0°
3	C25-0470-O21A	Carrier 2-1/2" X 21', 4 spf, 0°
	C25-0470-O15A	Carrier 2-1/2" X 15', 4 spf, 0°
	C25-0470-O11A	Carrier 2-1/2" X 11', 4 spf, 0°
	C25-0470-O07A	Carrier 2-1/2" X 7', 4 spf, 0°
	C25-0470-O04A	Carrier 2-1/2" X 4', 4 spf, 0°
4	TAG-2500-159	End Plate (1)
	TAG-2500-159P	End Plate w/Pin (1)
5	TAG-2500-075	Carrier Snap Ring (2)
6	TAG-2500-280	Top Sub 2-1/2"
6A	TAG-2500-112	Top Sub 2-1/2" Wireline Systems
7	TAG-2500-281	Tandem Sub 2-1/2"
8	TAG-2500-078	Bull Plug 2-1/2"
-	RTG-0100-275	Booster Transfer Kit
10	DET-0010-001	Detonating Cord End Cover
11	OOO-N569-215	O-Ring, #215, 90 Duro Nitrile - See Ref. Section
	OOO-V569-215	O-Ring, #215, 90 Duro Viton - See Ref. Section
12	OOO-N569-225	O-Ring, #225, 90 Duro Nitrile - See Ref. Section
	OOO-V569-225	O-Ring, #225, 90 Duro Viton - See Ref. Section
A	A538010	Detonating Cord, 40 gr., RDX, LS Ribbon - See Ref. Section
	A545010	Detonating Cord, 40 gr., HMX, LS Ribbon - See Ref. Section
B	DET-3050-429	Bi-Directional Booster
	DET-0010-006	40 grain Rubber Grommet
C	SDP-2500-402NT3	Charge, HMX, SDP - NT3 - HERO®
	RTG-2511-430	Perf, Charge, PAC™, HMX
	RTG-2500-401BH	Charge, HMX, BH
	RTG-2500-302	Charge, RDX, RTG, DP
	TAG-2500-401F	Charge, HMX, BH
D	RTG-2500-124	Blank Charge Case, Non Explosive
	--	Detonator - See Ref. Section

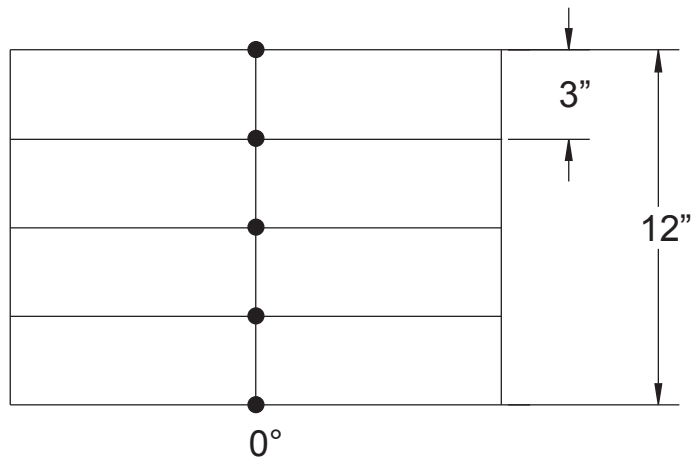
SPECIFICATIONS:

SPECIFICATIONS		
PRESSURE RATING	155.1 Mpa	22,500 psi
TEMPERATURE	UP to 260°C	UP to 500°F
TENSILE STENGTH	62 000 daN	140,000 lbf
CARRIER THREAD	2-1/8" - 8 STUB ACME	

PHASE:



SHOT PLOT:



Note: Guns are available in standard lengths from 2 through 21 ft.
Gun lengths in increments of 0.5 ft are available by special order only.