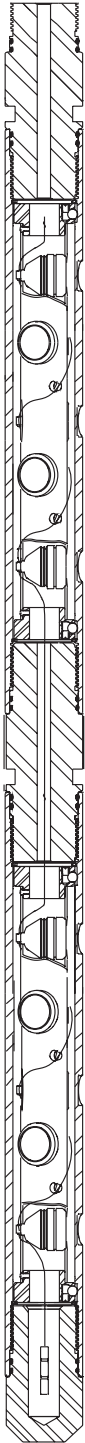


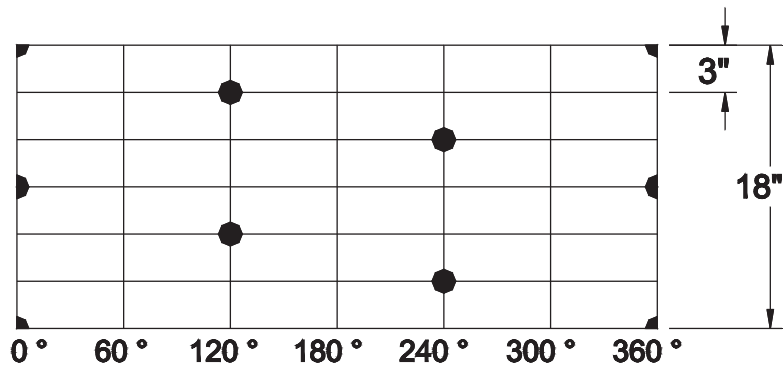
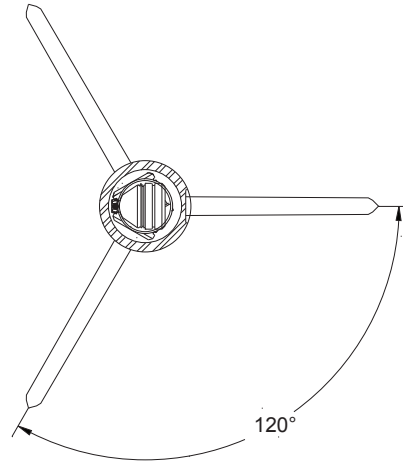
ITEM	PART NO.	DESCRIPTION
1	S29-0411-V21A	Shipping Assembly, 2-7/8" x 21', 4 spf, 120° Spiral
	S29-0411-V15A	Shipping Assembly, 2-7/8" x 15', 4 spf, 120° Spiral
	S29-0411-V11A	Shipping Assembly, 2-7/8" x 11', 4 spf, 120° Spiral
	S29-0411-V07A	Shipping Assembly, 2-7/8" x 7', 4 spf, 120° Spiral
	S29-0411-V04A	Shipping Assembly, 2-7/8" x 4', 4 spf, 120° Spiral
2	T17-0411-V21	Tube Strip, 21', 4 spf, 120° Spiral
	T17-0411-V15	Tube Strip, 15', 4 spf, 120° Spiral
	T17-0411-V11	Tube Strip, 11', 4 spf, 120° Spiral
	T17-0411-V07	Tube Strip, 7', 4 spf, 120° Spiral
	T17-0411-V04	Tube Strip, 4', 4 spf, 120° Spiral
3	C29-0475-V21A	Carrier 2-7/8" x 21', 4 spf, 120° Spiral
	C29-0475-V15A	Carrier 2-7/8" x 15', 4 spf, 120° Spiral
	C29-0475-V11A	Carrier 2-7/8" x 11', 4 spf, 120° Spiral
	C29-0475-V07A	Carrier 2-7/8" x 7', 4 spf, 120° Spiral
	C29-0475-V04A	Carrier 2-7/8" x 4', 4 spf, 120° Spiral
4	TAG-2875-160U	End Plate Universal (1)
	TAG-2875-160UP	End Plate Universal w/pin (1)
5	TAG-2875-075	Carrier Snap Ring (N-5000-225) (2)
6	TAG-2875-280	Top Sub 2-7/8"
6A	TAG-2875-279	Top Sub 2-7/8" Wireline Systems
7	TAG-2875-281	Tandem Sub 2-7/8"
8	TAG-2875-078	Bull Plug 2-7/8"
	TAG-2875-078S	Bull Plug 2-7/8" w/2-3/8" EUE pin on bottom
-	TCP-0100-275	Booster Transfer Kit - Universal
	TAG-0100-040	Insert (Included w/Transfer Kit) see page con-1.0
10	DET-0010-001	Detonating Cord End Cover
11	OOO-N569-225	O-Ring, #225, 90 Duro Nitrile - see ref. section
	OOO-V569-225	O-Ring, #225, 90 Duro Viton - see ref. section
12	OOO-N569-228	O-Ring, #228, 90 Duro Nitrile - see ref. section
	OOO-V569-228	O-Ring, #228, 90 Duro Viton - see ref. section
A	A570010	Detonating Cord, 80 gr., RDX, LS - see ref. section
	A572010	Detonating Cord, 80 gr., HMX, LS - see ref. section
--	DET-3050-429	Bi-Directional Booster
C	SDP-2875-402NT3	Charge, HMX, SDP, NT3 - HERO
	TAG-3125-302	Charge, RDX, DP
	TAG-3125-401	Charge, HMX, BH

Note: 6 spf System qualified in Fluid Only



SPECIFICATIONS

PRESSURE RATING	165.5 MPa	24,000 psi
TEMPERATURE	UP To 260°C	UP TO 500°F
TENSILE STRENGTH	93,400 daN	210,000 lbs
CARRIER THREAD	2-1/2" - 6 ACME	
GUN WEIGHT LOADED	17.3 KG/M	11.7 LB/FT
TORSIONAL YIELD	3,900 N•m	2,875 lb-ft



Note: Guns are available in standard lengths from 2 through 21 ft.

Gun lengths in increments of 0.5 ft are available by special order only.

Charges and ancillary components for higher temperature applications are available by Special Order.