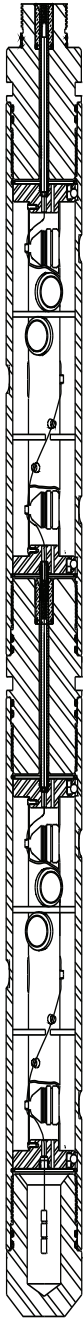
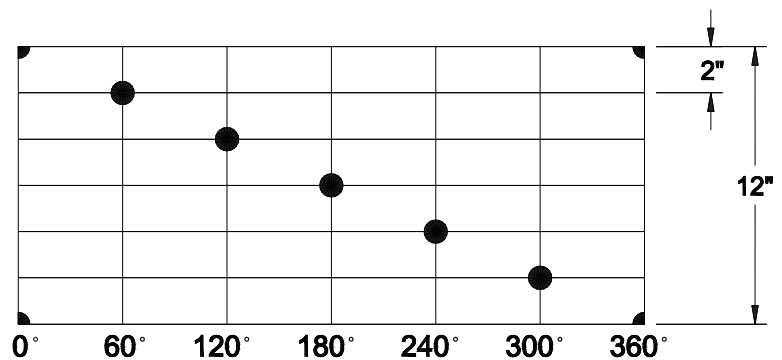
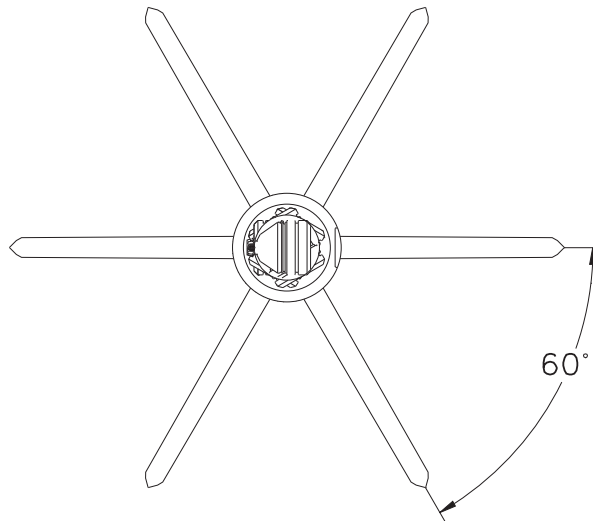


ITEM	PART NO.	DESCRIPTION
1	S29-0645-A21A	Shipping Assembly, 2-7/8" x 21', 6 spf, 60° Spiral
	S29-0645-A15A	Shipping Assembly, 2-7/8" x 15', 6 spf, 60° Spiral
	S29-0645-A11A	Shipping Assembly, 2-7/8" x 11', 6 spf, 60° Spiral
	S29-0645-A07A	Shipping Assembly, 2-7/8" x 7', 6 spf, 60° Spiral
	S29-0645-A04A	Shipping Assembly, 2-7/8" x 4', 6 spf, 60° Spiral
2	T17-0645-A21	Tube Strip, 21', 6 spf, 60° Spiral
	T17-0645-A15	Tube Strip, 15', 6 spf, 60° Spiral
	T17-0645-A11	Tube Strip, 11', 6 spf, 60° Spiral
	T17-0645-A07	Tube Strip, 7', 6 spf, 60° Spiral
	T17-0645-A04	Tube Strip, 4', 6 spf, 60° Spiral
3	C29-0670-A21A	Carrier 2-7/8" x 21', 6 spf, 60° Spiral
	C29-0670-A15A	Carrier 2-7/8" x 15', 6 spf, 60° Spiral
	C29-0670-A11A	Carrier 2-7/8" x 11', 6 spf, 60° Spiral
	C29-0670-A07A	Carrier 2-7/8" x 7', 6 spf, 60° Spiral
	C29-0670-A04A	Carrier 2-7/8" x 4', 6 spf, 60° Spiral
4	TAG-2875-160U	End Plate Universal (1)
	TAG-2875-160UP	End Plate Universal w/pin (1)
5	TAG-2750-075	Carrier Snap Ring (N-5000-225) (2)
6	TAG-2875-280	Top Sub 2-7/8"
6A	TAG-2875-279	Top Sub 2-7/8" Wireline Systems
7	TAG-2875-281	Tandem Sub 2-7/8"
8	TAG-2875-078	Bull Plug 2-7/8"
	TAG-2875-078S	Bull Plug 2-7/8" w/2-3/8" EUE pin on bottom
-	TCP-0100-275 TAG-0100-040	Booster Transfer Kit - Universal Insert (Included w/Transfer Kit) see page con-1.0
10	DET-0010-001	Detonating Cord End Cover
11	OOO-N569-225	O-Ring, #225, 90 Duro Nitrile - see ref. section
	OOO-V569-225	O-Ring, #225, 90 Duro Viton - see ref. section
11A	OB-225-2160-4PE	O-Ring Backup, PEEK
12	OOO-N569-228	O-Ring, #228, 90 Duro Nitrile - see ref. section
	OOO-V569-228	O-Ring, #228, 90 Duro Viton - see ref. section
12A	OB-228-2562-4PE	O-Ring Backup, PEEK
A	A570010	Detonating Cord - XHV, 80 gr., RDX - see ref. section
	A572010	Detonating Cord - XHV, 80 gr., HMX - see ref. section
--	DET-3050-429	Bi-Directional Booster
C	SDP-2750-311NT4	Charge, RDX, SDP - NT4 - HERO®
	SDP-2750-411NT4	Charge, HMX, SDP - NT4 - HERO®
	TAG-2750-401BH	Charge, HMX, BH
	TAG-2750-311	Charge, RDX, GH/DP
	TAG-2750-411	Charge, HMX, GH/DP
	SDP-2715-310	Perf, 2-3/4" HERO®-HR RDX
	SDP-2715-410	Perf, 2-3/4" HERO®-HR HMX



SPECIFICATIONS		
PRESSURE RATING	165.5 MPa	24,000 psi
TEMPERATURE	UP To 260°C	UP TO 500°F
TENSILE STRENGTH	93,400 daN	210,000 lbs
CARRIER THREAD	2-1/2" - 6 STUB ACME	
GUN WEIGHT LOADED	17.3 KG/M	11.7 LB/FT
TORSIONAL YIELD	3 900 N•m	2,875 lb-ft



Note: Guns are available in standard lengths from 2 through 21 ft.
Gun lengths in increments of 0.5 ft are available by special order only.