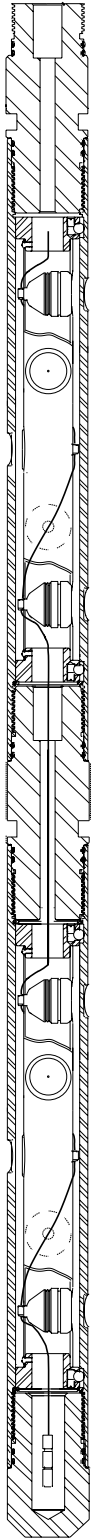
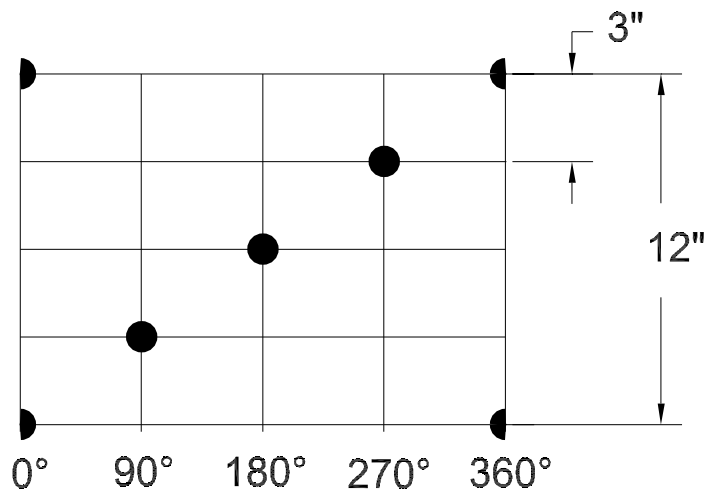
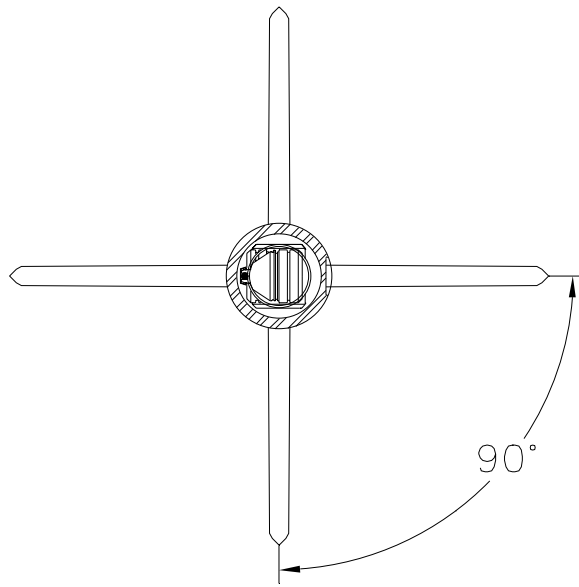


ITEM	PART NO.	DESCRIPTION	
1	S31-0401-B21A	Shipping Assembly, 3-1/8" x 21', 4 spf, 90° Spiral	
	S31-0401-B15A	Shipping Assembly, 3-1/8" x 15', 4 spf, 90° Spiral	
	S31-0401-B11A	Shipping Assembly, 3-1/8" x 11', 4 spf, 90° Spiral	
	S31-0401-B07A	Shipping Assembly, 3-1/8" x 7', 4 spf, 90° Spiral	
	S31-0401-B04A	Shipping Assembly, 3-1/8" x 4', 4 spf, 90° Spiral	
2	TAG-3375-134	Tube Strip, 21', 4 spf, 90° Spiral	
	TAG-3375-133	Tube Strip, 15', 4 spf, 90° Spiral	
	TAG-3375-132	Tube Strip, 11', 4 spf, 90° Spiral	
	TAG-3375-131	Tube Strip, 7', 4 spf, 90° Spiral	
	TAG-3375-130	Tube Strip, 4', 4 spf, 90° Spiral	
3	TAG-3125-094	Carrier 3-1/8" x 21', 4 spf, 90° Spiral	
	TAG-3125-093	Carrier 3-1/8" x 15', 4 spf, 90° Spiral	
	TAG-3125-095	Carrier 3-1/8" x 11', 4 spf, 90° Spiral	
	TAG-3125-090	Carrier 3-1/8" x 7', 4 spf, 90° Spiral	
	TAG-3125-091	Carrier 3-1/8" x 4', 4 spf, 90° Spiral	
4	TAG-3125-135U	End Plate Universal (1)	
	TAG-3125-135UP	End Plate Universal w/pin (1)	
5	TAG-3125-076	Carrier Snap Ring (N-5000-250) (2)	
6	TAG-3125-280	Top Sub 3-1/8" Adapts to TCP or Wireline Systems	
7	TAG-3125-281	Tandem Sub 3-1/8"	
8	TAG-3125-162	Bull Plug 3-1/8"	
	TAG-3125-162S	Bull Plug 3-1/8" w/2-3/8" EUE pin on bottom	
9	TCP-0100-275	Booster Transfer Kit, Universal - 3-1/8, 3-3/8 & 4" TAG	
	TAG-0100-040	Insert (Included w/Transfer Kit) see page con-1.0	
10	DET-0010-001	Detonating Cord End Cover	
11	OOO-N569-230	O-Ring, #230, 90 Duro Nitrile - see ref. section	
	OOO-V569-230	O-Ring, #230, 90 Duro Viton - see ref. section	
12	OOO-N569-230	O-Ring, #230, 90 Duro Nitrile - see ref. section	
	OOO-V569-230	O-Ring, #230, 90 Duro Viton - see ref. section	
A	A578010	Detonating Cord, 80 gr., RDX, LS - see ref. section	
	A571010	Detonating Cord, 80 gr., HMX, LS - see ref. section	
--	DET-3050-429	Bi-Directional Booster	
C	PFC-3121-336	Charge, RDX, PerFRAC™, 0.36"	
	PFC-3121-342	Charge, RDX, PerFRAC™, 0.42"	
	PFC-3121-346	Charge, RDX, PerFRAC™, 0.46" Hole	
	SDP-3121-310	Charge, RDX, SDP-HERO® HARD ROCK	
	SDP-3121-410	Charge, HMX, SDP-HERO® HARD ROCK	
	SDP-3121-360	Charge, SDP, HERO®, RDX	
	SDP-3125-411NT4	Charge, HMX, SDP, NT4 – SUPER HERO®	
	SDP-3125-311NT4	Charge, RDX, SDP, NT4 – SUPER HERO®	
	SDP-3375-311NT	Charge, RDX, SDP	
	TAG-3375-311	Charge, RDX, DP/GH	
	TAG-3375-311L	Charge, RDX, DP	
	TAG-3375-311SL	Charge, RDX, DP	
	TAG-3375-301	Charge, RDX, BH	
	--	CAS-1365-002	Blank Charge Case (non-explosive)



SPECIFICATIONS		
PRESSURE RATING	144.8 MPa	21,000 psi
TEMPERATURE	UP To 260°C	UP TO 500°F
TENSILE STRENGTH	80 068 daN	180,000 lbs
CARRIER THREAD	2-3/4" - 6 STUB ACME	
GUN WEIGHT LOADED	16.4 KG/M	11.0 LB/FT
TORSIONAL YIELD	4 475 N•m	3,300 lb-ft



**Note:** Guns are available in standard lengths from 2 through 21 ft.

Gun lengths in increments of 0.5 ft are available by special order only.

Charges and ancillary components for higher temperature applications are available by Special Order.