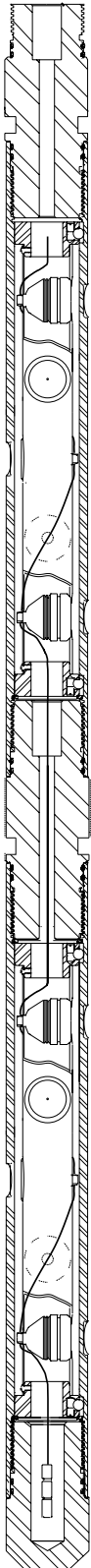
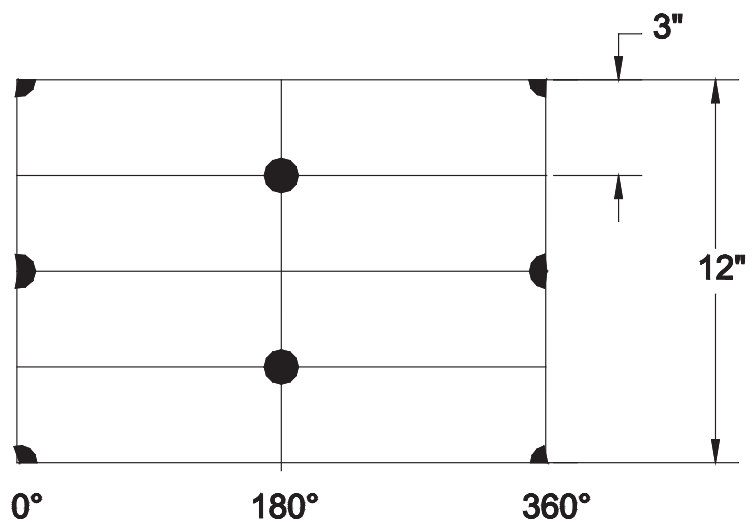
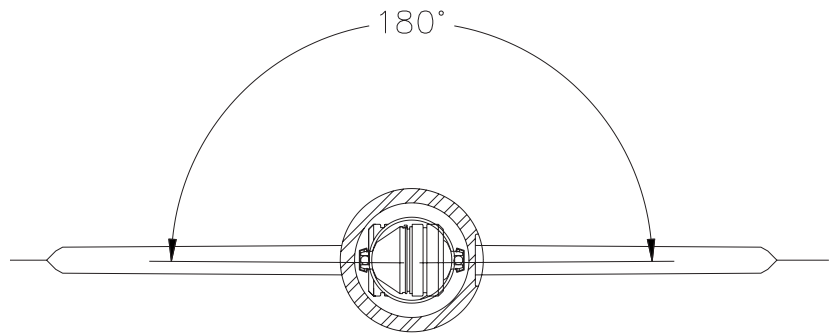


ITEM	PART NO.	DESCRIPTION
1	S31-0501-R21A	Shipping Assembly, 3-1/8" x 21', 5 spf, 180°
	S31-0501-R15A	Shipping Assembly, 3-1/8" x 15', 5 spf, 180°
	S31-0501-R11A	Shipping Assembly, 3-1/8" x 11', 5 spf, 180°
	S31-0501-R07A	Shipping Assembly, 3-1/8" x 7', 5 spf, 180°
	S31-0501-R04A	Shipping Assembly, 3-1/8" x 4', 5 spf, 180°
2	T18-0501-R21	Tube Strip, 21', 5 spf, 180°
	T18-0501-R15	Tube Strip, 15', 5 spf, 180°
	T18-0501-R11	Tube Strip, 11', 5 spf, 180°
	T18-0501-R07	Tube Strip, 7', 5 spf, 180°
	T18-0501-R04	Tube Strip, 4', 5 spf, 180°
3	C31-0572-R21A	Carrier 3-1/8" x 21', 5 spf, 180°
	C31-0572-R15A	Carrier 3-1/8" x 15', 5 spf, 180°
	C31-0572-R11A	Carrier 3-1/8" x 11', 5 spf, 180°
	C31-0572-R07A	Carrier 3-1/8" x 7', 5 spf, 180°
	C31-0572-R04A	Carrier 3-1/8" x 4', 5 spf, 180°
4	TAG-3125-135U	End Plate Universal (1)
	TAG-3125-135UP	End Plate Universal w/pin (1)
5	TAG-3125-076	Carrier Snap Ring (N-5000-250) (2)
6	TAG-3125-280	Top Sub 3-1/8" Adapts to TCP or Wireline Systems
7	TAG-3125-281	Tandem Sub 3-1/8"
8	TAG-3125-162	Bull Plug 3-1/8"
	TAG-3125-162S	Bull Plug 3-1/8" w/2-3/8" EUE pin on bottom
--	TCP-0100-275	Booster Transfer Kit, Universal - 3-1/8, 3-3/8 & 4" TAG
	TAG-0100-040	Insert (Included w/Transfer Kit) see page con-1.0
10	DET-0010-001	Detonating Cord End Cover
11	OOO-N569-230	O-Ring, #230, 90 Duro Nitrile - see ref. section
	OOO-V569-230	O-Ring, #230, 90 Duro Viton - see ref. section
12	OOO-N569-230	O-Ring, #230, 90 Duro Nitrile - see ref. section
	OOO-V569-230	O-Ring, #230, 90 Duro Viton - see ref. section
A	A578010	Detonating Cord, 80 gr., RDX, LS - see ref. section
	A571010	Detonating Cord, 80 gr., HMX, LS - see ref. section
--	DET-3050-429	Bi-Directional Booster
C	SDP-3121-310	Charge, RDX, SDP-HERO® HARD ROCK
	SDP-3121-410	Charge, HMX, SDP-HERO® HARD ROCK
	SDP-3121-360	Charge, SDP, HERO®, RDX
	SDP-3125-411NT4	Charge, HMX, SDP, NT4 – SUPER HERO®
	SDP-3125-311NT4	Charge, RDX, SDP, NT4 – SUPER HERO®
	SDP-3375-311NT	Charge, RDX, SDP
	TAG-3375-311	Charge, RDX, DP/GH
	TAG-3375-311L	Charge, RDX, DP
	TAG-3375-311SL	Charge, RDX, DP
	TAG-3375-301	Charge, RDX, BH
--	CAS-1365-002	Blank Charge Case (non-explosive)



SPECIFICATIONS		
PRESSURE RATING	144.8 MPa	21,000 psi
TEMPERATURE	UP To 260°C	UP TO 500°F
TENSILE STRENGTH	80 068 daN	180,000 lbs
CARRIER THREAD	2-3/4" - 6 STUB ACME	
GUN WEIGHT LOADED	16.4 KG/M	11.0 LB/FT
TORSIONAL YIELD	4 475 N•m	3,300 lb-ft



Note: Guns are available in standard lengths from 2 through 21 ft.
 Gun lengths in increments of 0.5 ft are available by special order only.
 Charges and ancillary components for higher temperature applications are available by Special Order.