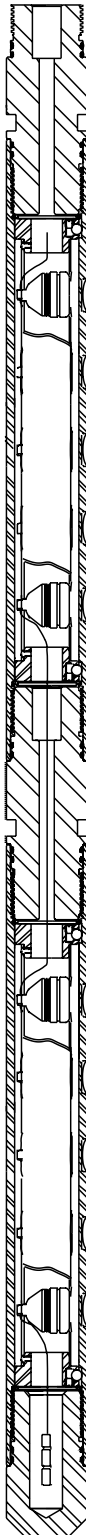
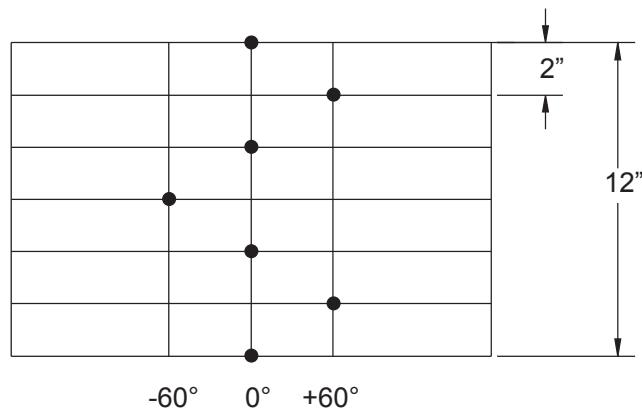
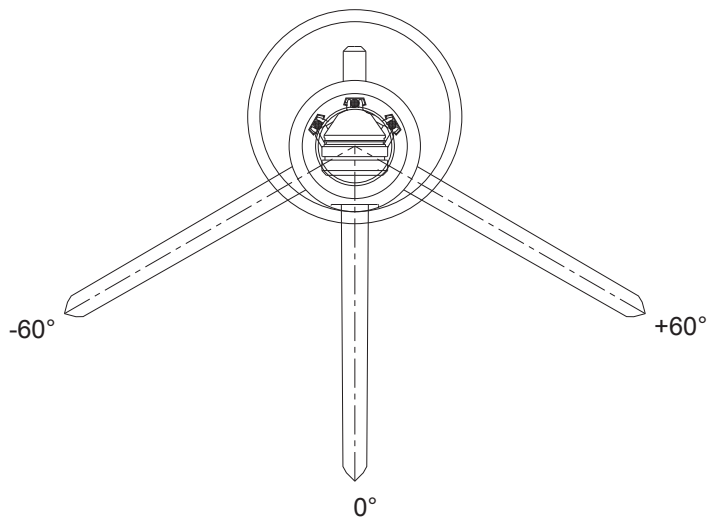


ITEM	PART NO.	DESCRIPTION
1	S31-0601-Y21A	Shipping Assembly, 3-1/8" x 21', 6 spf, 0/+60/0/-60 Low Side
	S31-0601-Y15A	Shipping Assembly, 3-1/8" x 15', 6 spf, 0/+60/0/-60 Low Side
	S31-0601-Y11A	Shipping Assembly, 3-1/8" x 11', 6 spf, 0/+60/0/-60 Low Side
	S31-0601-Y07A	Shipping Assembly, 3-1/8" x 7', 6 spf, 0/+60/0/-60 Low Side
	S31-0601-Y04A	Shipping Assembly, 3-1/8" x 4', 6 spf, 0/+60/0/-60 Low Side
2	TAG-3125-344	Tube Strip, 21', 6 spf, 0/+60/0/-60 Low Side
	TAG-3125-343	Tube Strip, 15', 6 spf, 0/+60/0/-60 Low Side
	TAG-3125-342	Tube Strip, 11', 6 spf, 0/+60/0/-60 Low Side
	TAG-3125-341	Tube Strip, 7', 6 spf, 0/+60/0/-60 Low Side
	TAG-3125-340	Tube Strip, 4', 6 spf, 0/+60/0/-60 Low Side
3	TAG-3125-349	Carrier 3-1/8" x 21', 6 spf, 0/+60/0/-60 Low Side
	TAG-3125-348	Carrier 3-1/8" x 15', 6 spf, 0/+60/0/-60 Low Side
	TAG-3125-347	Carrier 3-1/8" x 11', 6 spf, 0/+60/0/-60 Low Side
	TAG-3125-346	Carrier 3-1/8" x 7', 6 spf, 0/+60/0/-60 Low Side
	TAG-3125-345	Carrier 3-1/8" x 4', 6 spf, 0/+60/0/-60 Low Side
4	TAG-3125-135U	End Plate (1)
	TAG-3125-135UP	End Plate w/pin (1)
5	TAG-3125-076	Carrier Snap Ring (N-5000-250) (2)
6	TAG-3125-280	Top Sub 3-1/8" Adapts to TCP or Wireline Systems
7	TAG-3125-281	Tandem Sub 3-1/8"
	TAG-3125-281F	Tandem Sub 3-1/8" w/ fin
8	TAG-3125-162	Bull Plug 3-1/8"
	TAG-3125-162S	Bull Plug 3-1/8" w/2-3/8" EUE pin on bottom
--	TCP-0100-275	Booster Transfer Kit
	TAG-0100-040	Insert (Included w/ end plate) see page con-1.0
10	DET-0010-001	Detonating Cord End Cover
11	OOO-N569-230	O-Ring, #230, 90 Duro Nitrile - see ref. section
	OOO-V569-230	O-Ring, #230, 90 Duro Viton - see ref. section
12	OOO-N569-230	O-Ring, #230, 90 Duro Nitrile - see ref. section
	OOO-V569-230	O-Ring, #230, 90 Duro Viton - see ref. section
A	A570010	Detonating Cord - XHV,80 gr., RDX - see ref. section
	A572010	Detonating Cord - XHV, 80 gr., HMX - see ref. section
--	DET-3050-429	Bi-Directional Booster
C	SDP-3375-311NT	Charge, RDX, SDP
	SDP-3121-360	Charge, SDP, HERO®, RDX
	SDP-3121-310	Charge, RDX, SDP-HERO® HARD ROCK
	SDP-3121-410	Charge, HMX, SDP-HERO® HARD ROCK
	TAG-3375-311	Charge, RDX, Good Hole
	SGH-3119-330	Charge, RDX, SGH-HERO®
	SGH-3119-430	Charge, HMX, SGH-HERO®
	TAG-3375-301	Charge, RDX, BH
--	CAS-1365-002	Blank Charge Case (non-explosive)

Note: 4 spf System qualified Dry, 6 spf System qualified in Fluid Only.



SPECIFICATIONS		
PRESSURE RATING	144.8 MPa	21,000 psi
TEMPERATURE	UP To 260°C	UP TO 500°F
TENSILE STRENGTH	80 068 daN	180,000 lbs
CARRIER THREAD	2-3/4" - 6 STUB ACME	
GUN WEIGHT LOADED	16.4 KG/M	11.0 LB/FT
TORSIONAL YIELD	4 475 N•m	3,300 lb-ft



Note: Guns are available in standard lengths from 2 through 21 ft.

Gun lengths in increments of 0.5 ft are available by special order only.

Charges and ancillary components for higher temperature applications are available by Special Order.